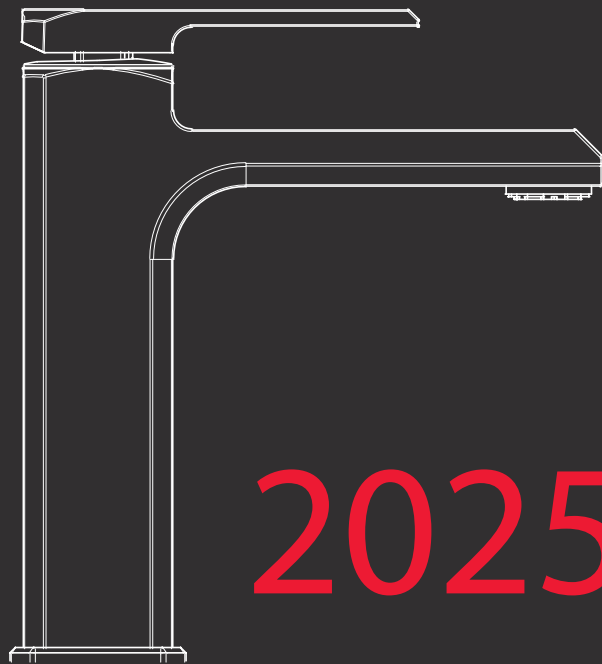




PRODUCT CATALOGUE



2025

GPD

Bath & Kitchen
Armatures

www.gpd.com.tr





Since 1962 being in the life of manufacturing Gul Pres Dokum Sanayi AS. with the brand name known as GPD has been established in the year 1978 has a deep rooted and significant place throughout the domestic and foreign markets for the production of various bathroom and kitchen armatures, taps and water, gas, radiator valves and unions produced with brass raw materials with hot pressing and die casting. GPD manufactures all products in it's own building located in Istanbul-Beylikduzu on total closed area of 12.000 m2 which has a contact and sales office in the same area location, Beylikduzu. Our company that owns the certificate of TS ISO 9001:2015 Quality and TS ISO 10002:2014 Customer Satisfaction Management that is under the confirmation of TUV, continues the production in paralel of Quality Guarantee System conditions. The primary goals of our team are Total Quality, Customer Satisfaction and Modern Enterprising.

GPD
'Always With You'

● CUSTOMER SATISFACTION
MANAGEMENT SYSTEM WITH
TSE ISO 10002 CERTIFICATE

● Products manufactured with the integration
of years of experience to today's technology

● Special aerator
with water saving

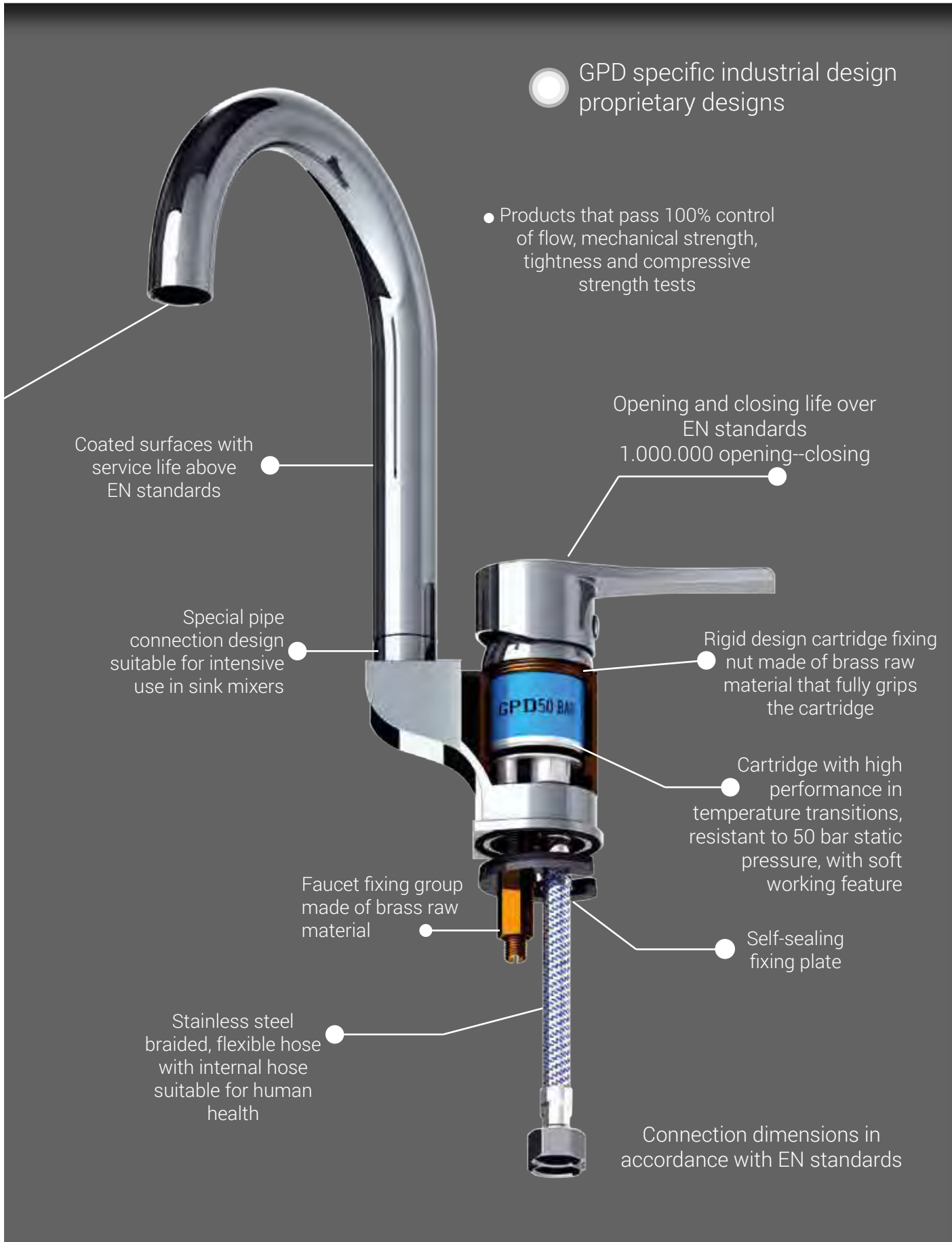
● Hot water resistance up to 90° C

● Insured products against
production damage

● Special diverter design suitable for
intensive use in bathroom faucets

● Chemical and hygienic raw
materials in compliance
with EN norms

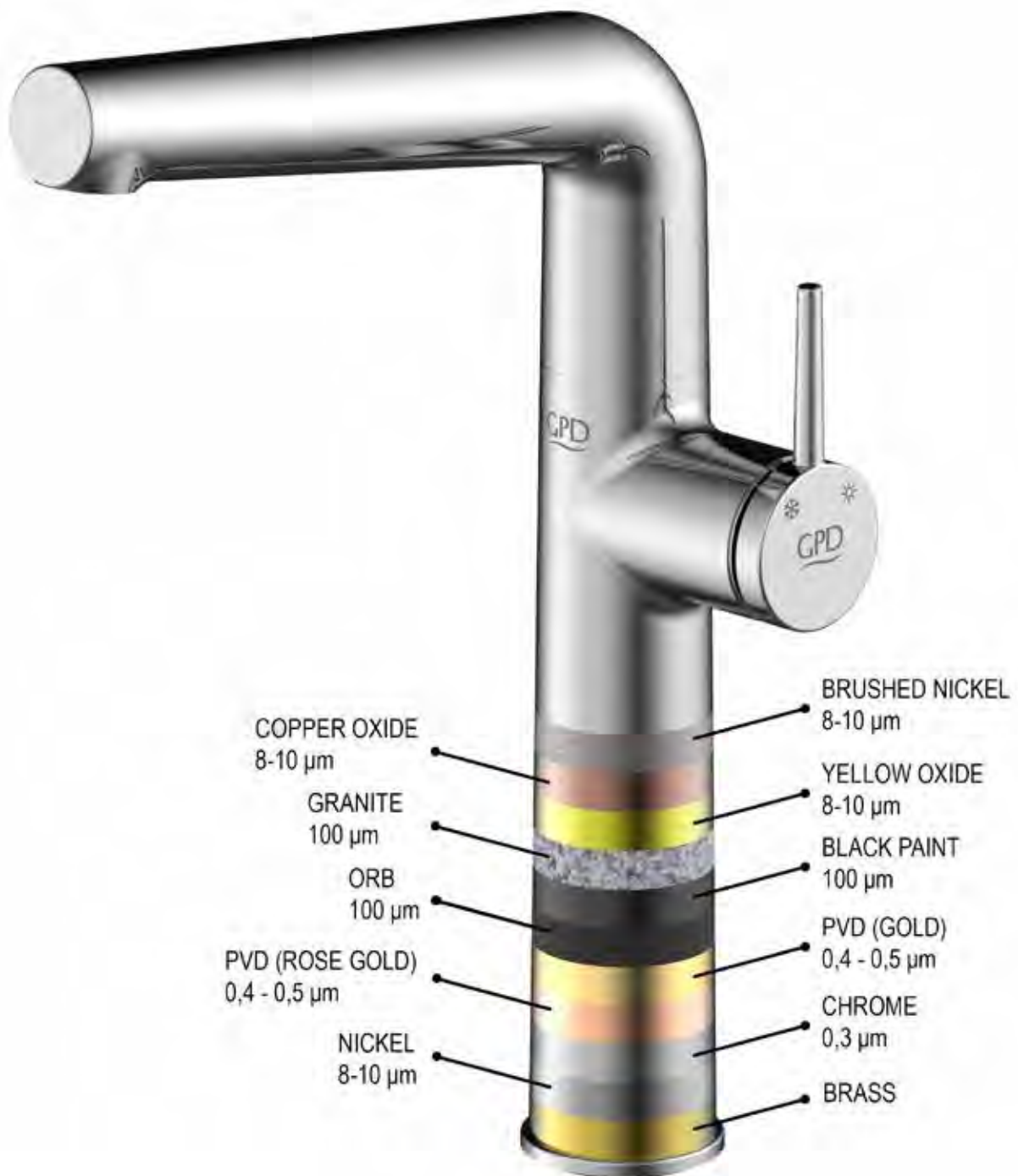
WHY GPD?



PRODUCT SPECIFICATIONS



PLATING SPECIFICATIONS



I N D E X

ARMATURES

Wiser-Q	10-13
Thermostatic-Photocell and Time Controlled	14-17
Floor-Standing Bathtub Armatures	18
Aduro	19-21
GPD Quadro	22-25
GPD Retro	26
Tauro	28-29
Provido	30-31
Fuego	32-34
Frezia	35
Ritmo	36-39
Pedra	40-43
Gildo	44-47
Tulio	48-51
Felis	52-55
Atros	56-62
Espina	64-71
Solus	72-76
Adrio	78-83
Fido	84-85
Nino	86-90

91-92 **Doctor and Physically Disabled**

93-104 **Concealed Bathroom and Shower
Armature Recessed Housing
and Over Plaster Group**

SHOWER SYSTEMS

106-114 Shower Sets

116-121 Shower Heads

122-123 Shower Panels

124-133 **Supplementary Products**

134-135 **Industrial Products**

137-139 **Concealed Cistern**

140-160 **Bathroom Accessories Products**

162 **Warranty Conditions**

FULLY CHANGING HANDS WASHING HABITS,
%100 HYGIENE, MAXIMUM COMFORT and
MORE ECONOMICS

GPD DEVELOPED THE NEW GENERATION FIXTURE
INNOVATION THAT PROVIDES...



HOW IS %100 HYGIENE?

When a person only improves hand washing habits, he can prevent the spread of infectious diseases by %80. For this reason, hygiene starts with the right way of hand washing wherever there is a person. Each tap-operated armature and soap dispenser easily infects bacteria and viruses on their surface. You think you have cleaned your hand, but microorganisms on the surfaces you touch come with you. With WISER-Q, you will experience hand washing without touching except water and soap.

In the bathroom industry, WISER-Q is a new technology innovation. WISER-Q patented innovation; It was developed by GPD in cooperation with Istanbul University-Cerrahpaşa and its project was supported by TUBITAK in order to experience the most comfortable and hygienic handwashing by reinforcing correct handwashing habits while saving soap, water and time.

R&D activities of this product;
With Project Number 7140564
Turkish Patent Institute Registration Number: 201401413



*Soap is taken by extending the hold to the hand soap zone.
(There is no repeat an sequencing limit)*



*Water is taken by extending the hold to the hand water zone.
(There is no repeat an sequencing limit)*

HOW MAXIMUM COMFORT?

Think of a faucet, both water and soap will come from it. Water and soap will not mix. You can get water whenever you want and soap whenever you want. The soap won't run out. You won't look for soap dispenser around. You will experience the comfort of hand washing with the right amount of foamed soap, which is hygienic, most suitable for human PH value.

HOW MORE ECONOMIC?

Photocell faucets have saved up to %80 water savings, especially in public areas since joining the armature family. Now WISER-Q has taken the soap savings under its control. WISER-Q offers the option to adjust in three different modes. It can be controlled by special controller or IOS / Android software. Keeps usage history in memory. Automatically shuts down after 60s against the risk of overflow. In case of water failure, the soap unit stops. In case of a power failure, the battery unit is activated. WISER-Q simplifies the environment it is in, separate soap dispensers eliminate unnecessary mess and soap deposits, uncontrolled soaps.

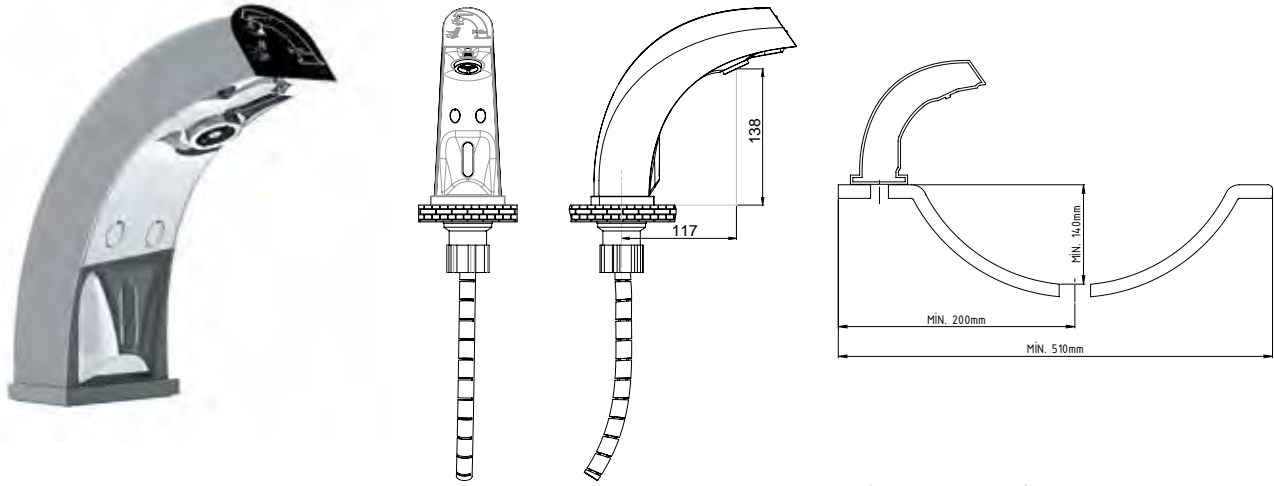
WISER Q

SMART ARMATURE

WISER-Q simplifies, saves time and offers true hygiene with a comfortable experience.



FLB09 - Photocell Water and Soap Wash Basin Armature (Double Water Inlet) FLB09-2 - Photocell Water and Soap Wash Basin Armature (Single Water Inlet)



Surface : Chrome
Qty / Box : 1

- With the flow of water and soap from the same center it offers comfortable hand washing.
- After soap release, water use from the same center every time through It prevents soap residue from forming.
- Detection and response time through single sensor control maximum optimization is achieved.
- It has a remote control that can be controlled with an infrared receiver.
- With Wi-Fi module in the product and its own mobile application software It has control feature.
- It offers the option to use it in 3 different modes for different needs.

MOD1; There is no repetition or sequencing limit for soap and water use.

It gives soap when the hand is extended from the soap area. It gives water when the hand is extended from the water area.

MOD2; One time soap unlimited water use.

It gives soap when it first sees the hand under the armature, regardless of soap or water area. Then it gives water every time.

MOD3; Under the armature, regardless of soap or water zone it gives soap when hand first appears. Then it gives water.

- Factory settings; Economic for soap consumption, for product use MOD is 1.
- It is powered by a 14V DC adapter.
- There is also a battery circuit to activate when the power is cut off. (4 x C type Alkaline batteries)
- The product is controlled by its own smart microcomputer.
- Through microcomputer, soap and water consumption information can be tracked from the mobile application via the Wi-Fi module.
- Product with soap consumption modes from mobile application and remote usage modes can be changed.
- Factory settings can be restored in the mobile application.
- It has the feature of closing after 60 seconds against the risk of overflow.
- Through its T-tap with double water inlet, it provides the opportunity to use both hot and cold water.
- All parts that the water and soap used in the product pass through, selected as high quality suitable for people health.
- **The ideal water pressure is 3-5 bars. Above these pressure values its use is strictly not recommended. In order to safe use, it is necessary to use a water pressure regulator in the plumbing.**



- It prepares foamy soap by mixing soap with air, so hand washing becomes more comfortable. It also saves water and time by eliminating the need for re-watering to lather soap.
- It has 3 different usage options in soap consumption for different needs available.

Economic soap consumption: It serves 1.5 grams of soap in each use.

Normal soap consumption: Serves 2.5 grams of soap per use.

Consumption of luxury soap: It serves 3.5 grams of soap per use.

- 5 Lt GPD foam soap is supplied with the product.
- GPD foaming soap is antibacterial. harmful microorganisms It provides high level hygiene by destroying it.
- GPD foam soap cleans the skin without damaging the acid mantle thanks to the moisturizers it contains and the PH level suitable for the skin.
- GPD foam soap has a special perfume and a satisfactory level of permanent fragrance is used compared to the products on the market.
- GPD foaming soap is environmentally friendly. It is produced 80% in nature and soluble raw material
- GPD foaming soap at maximum performance for WISER-Q it is optimized for use and formulated with the most appropriate foaming ratio with chemical values.
- The product inform to user. During soap using, in order to soap The led light on the front surface of the luminaire turns green. During water use, the LED light on the front surface of the fixture turns blue for water.
- When amount of soap in the reservoir reaches a critical level, soap led flashes red and gives a warning.
- In addition, the soap occupancy rate can be seen on the mobile application.
- The soap dispenser can store 2.60 times more soap than single soap dispensers on the market. The chamber volume is 2.60 Lt. Thus, the chamber filling period is infrequent.
- Hand washing comfort is quite high. Soap pumping motor soap is served for use in a very short time (in 1.5 seconds), as its power is considerably higher than the motor power of individual soap dispensers in the market.

SNG01 - WISER Q Photocell Water and Soap Wash Basin Armature Hygienic Hand Cleaning Foam



- It is antibacterial. By destroying harmful microorganisms, it allows you to achieve hygiene.
- Thanks to the moisturizers it contains and the PH level suitable for the skin, the skin cleans without damaging the acid mantle.
- It has a special perfume. Permanent fragrance is used at a satisfactory level.
- It is suitable for environmental health. More than 80% biodegradable raw material made of materials.
- Optimized for WISER-Q to be used at maximum performance it has been formulated with the most suitable foaming rate with the chemical values.
- Hand cleaning foam is applied directly to the hand from GPD WISER-Q.
- It is rubbed without the need to mix with water. (GPD WISER-Q mixes the right amount of soap with air and serves.)
- Hands are rinsed with plenty of water.
- 5-15% Anionic active ingredients
- 5% cocoamidomidopropyl, betaine, lanolin, perfume, preservative and derivatized water
- PH value 5.5 - 6
- Appearance: Transparent colored liquid
- 5 Lts.

Qty / Box : 1



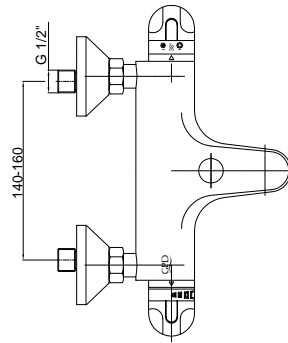
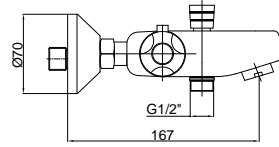
PROMOTION FILM!



ANIMATION FILM!



THERMOSTATIC - PHOTOCELL

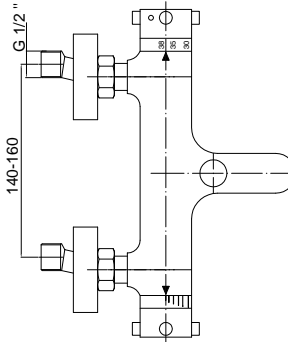
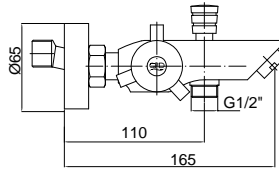


TBB01 - Thermostatic Bathroom Armature

- Special water saving aerator (Bubble flow, with lime breaker, flow rate:16lt/min)
- 90° ceramic stemmer with turning on/off angle
- Diverter unit with locking system
- Two stages of turning on/off
- Comfortable showering possibility with superior thermostat technology
- Secure pass for temperatures above 38°C
- Length of outlet is 167 mm
- Armature connection threads are 3/4"
- Eccentric connection threads are 3/4" - 1/2"
- Spiral hose connection thread is 1/2"
- Ideal working pressure is 3-4 bar
- **Hot water installation should be on the left side**
- It is recommended to use filter at the entrance of the flat in order to prevent any pollution that may occur in the installation and damage to the armature

Surface : Chrome

Qty / Box : 4

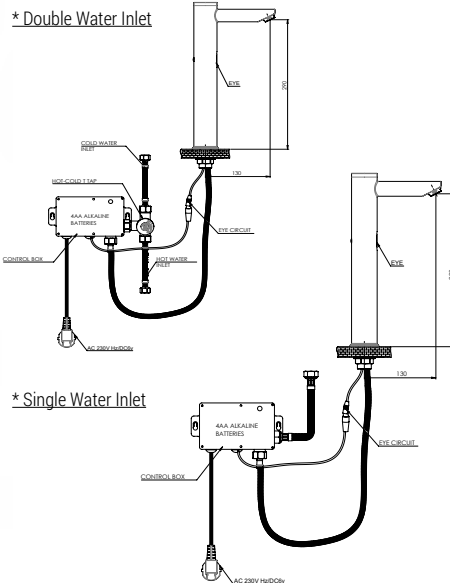


TBB02 - Thermostatic Bathroom Armature

- Special water saving aerator (Bubble flow, with lime breaker, flow rate:16lt/min)
- 180° ceramic stemmer with turning on/off angle
- Diverter unit with locking system
- Comfortable showering possibility with superior thermostat technology
- Secure pass for temperatures above 38°C
- Length of outlet is 165 mm
- Armature connection threads are 3/4"
- Eccentric connection threads are 3/4" - 1/2"
- Spiral hose connection thread is 1/2"
- Ideal working pressure is 3-4 bar
- **Hot water installation should be on the left side**
- It is recommended to use filter at the entrance of the flat in order to prevent any pollution that may occur in the installation and damage to the armature

Surface : Chrome

Qty / Box : 6



FLB07-2 Double Water Inlet Photocell Over Table Wash-Basin Armature

- Special aerator (Bubble flow, with lime breaker, flow rate:8lt/min)
- Length of outlet is 130 mm
- Height of outlet is 290 mm
- Long height to be used at over table wash basins
- It is controlled with micro computer. It is adjusted to stop the water by itself after one minute in order to prevent wasting of water
- Adjustable sensor distance is 12-18 cm
- AC and DC support, when AC is switched off DC automatically switches on (AC 230V hz / DC 6V)(4AA alkaline batteries)
- Battery life 2 years (4000 usage/month)
- Possibility of both the hot water and cold water usage due to t tap for the double water product
- Ideal working pressure is 3-4 Bar
- To prevent any damage which can be caused by the contaminants inside the fittings, filtered interval taps are recommended

Surface : Chrome

Qty / Box : 5

FINISHES

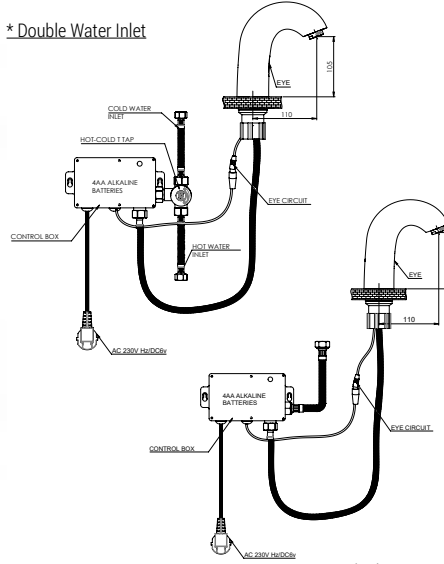




FINISHES



* Double Water Inlet



* Single Water Inlet

FLB10 Double Water Inlet Photocell Wash-Basin Armature

- Special aerator (Bubble flow, with lime breaker, flow rate:8lt/min)
- Length of outlet is 110 mm
- Height of outlet is 105 mm
- It is controlled with micro computer. It is adjusted to stop the water by itself after one minute in order to prevent wasting of water
- Adjustable sensor distance is 12-18 cm
- AC and DC support, when AC is switched off DC automatically switches on (AC 230V hz / DC 6V)(4AA alkaline batteries)
- Battery life 2 years (4000 usage/month)
- Possibility of both the hot water and cold water usage due to t tap for the double water product
- Water temperature 0,1 - 60°C
- Ideal working pressure is 3-4 Bar
- To prevent any damage which can be caused by the contaminants inside the fittings, filtered interval taps are recommended

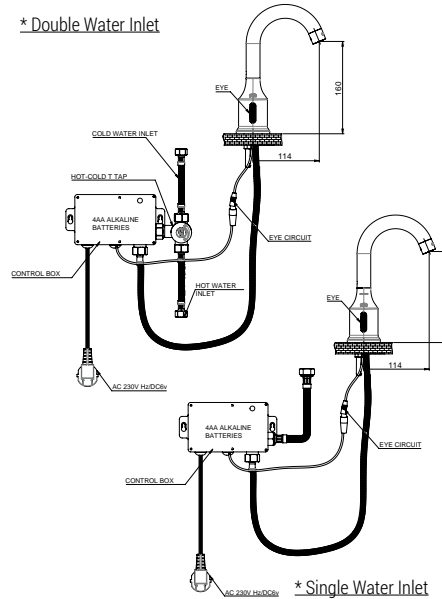
Surface : Chrome
Qty / Box : 4



FINISHES



* Double Water Inlet



* Single Water Inlet

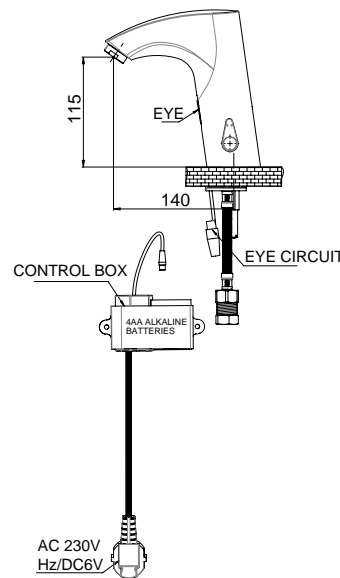
FLB11 Double Water Inlet Photocell Wash-Basin Armature

- Special aerator (Bubble flow, with lime breaker, flow rate:8lt/min)
- Length of outlet is 114 mm
- Height of outlet is 160 mm
- It is controlled with micro computer. It is adjusted to stop the water by itself after one minute in order to prevent wasting of water
- Adjustable sensor distance is 12-18 cm
- AC and DC support, when AC is switched off DC automatically switches on (AC 230V hz / DC 6V)(4AA alkaline batteries)
- Battery life 2 years (4000 usage/month)
- Possibility of both the hot water and cold water usage due to t tap for the double water product
- Water temperature 0,1 - 60°C
- Ideal working pressure is 3-4 Bar
- To prevent any damage which can be caused by the contaminants inside the fittings, filtered interval taps are recommended

Surface : Chrome
Qty / Box : 4



FINISHES



FLB12 - Photocell Wash Basin Armature (Manuel Heat Controlled)

- Special aerator (Bubble flow, with lime breaker, flow rate:8lt/min)
- Length of outlet is 140 mm
- Height of outlet is 115 mm
- It is controlled with micro computer. It is adjusted to stop the water by itself after one minute in order to prevent wasting of water
- Adjustable sensor distance is 12-18 cm
- AC and DC support, when AC is switched off DC automatically switches on (AC 230V hz / DC 6V)(4AA alkaline batteries)
- Battery life 2 years (4000 usage/month)
- Possibility of both the hot water and cold water usage due to manuel heat control on the block body
- Ideal working pressure is 3-4 Bar
- To prevent any damage which can be caused by the contaminants inside the fittings, filtered interval taps are recommended

Surface : Chrome
Qty / Box : 4



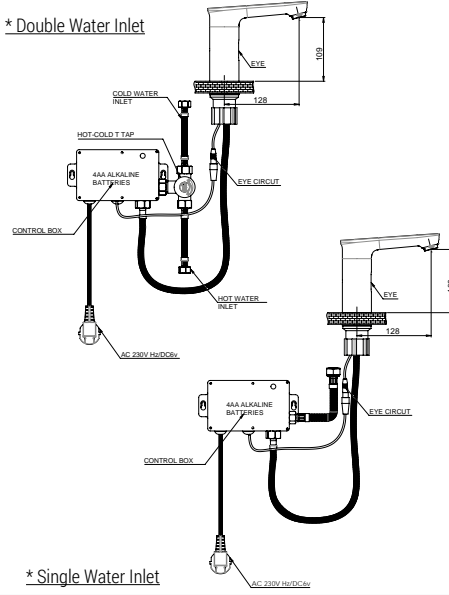
PHOTOCELL



FINISHES



* Double Water Inlet



* Single Water Inlet

FLB13 Double Water Inlet Photocell Wash-Basin Armature

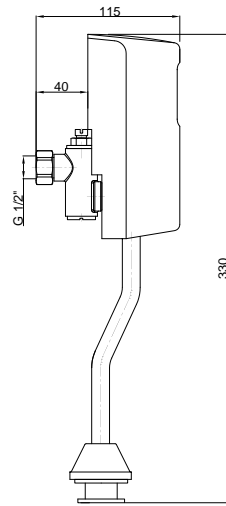
- Special aerator (Bubble flow, with lime breaker, flow rate:8lt/min)
- Length of outlet is 128 mm
- Height of outlet is 109 mm
- It is controlled with micro computer. It is adjusted to stop the water by itself after one minute in order to prevent wasting of water
- Adjustable sensor distance is 12-18 cm
- AC and DC support, when AC is switched off DC automatically switches on (AC 230V hz / DC 6V)(4AA alkaline batteries)
- Battery life 2 years (4000 usage/month)
- Possibility of both the hot water and cold water usage due to t tap for the double water product
- Water temperature 0,1 - 60°C
- Ideal working pressure is 3-4 Bar
- To prevent any damage which can be caused by the contaminants inside the fittings, filtered interval taps are recommended

Surface : Chrome
Qty / Box : 4

FPB01 - Photocell Urinal Armature (Over Plaster)

- Automatic washing feature
- DC support (DC 6V) (4 AA alkaline)
- Water flow rate can be adjusted by turning the control valve on or off
- Adjustable sensor distance is 30-70 cm
- Water temperature is 0,1 - 60°C
- Ideal working pressure 3-4 bar

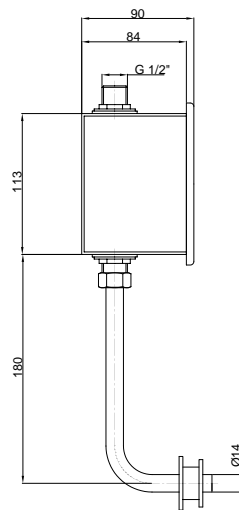
Surface : Chrome
Qty / Box : 4



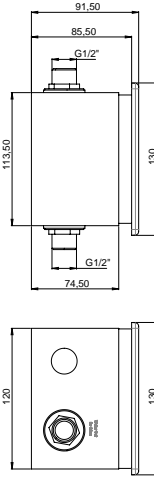
FPB02 - Photocell Urinal Armature (Under Plaster)

- Automatic washing feature
- Water tight, water resistant structure, protects against humidity
- AC and DC support, when AC is switched off DC automatically switches on (AC 230V hz/DC 6V) (4 AA alkaline batteries)
- Battery life 2 years (4000 usage/month)
- Water flow rate can be adjusted by turning the control valve on or off
- Adjustable sensor distance is 30-70 cm
- Water temperature is 0,1 - 60°C
- Ideal working pressure 3-4 bar

Surface : Chrome
Qty / Box : 4



PHOTOCELL-TIME CONTROLLED

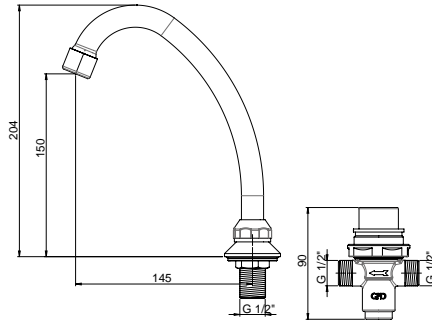


FDB01 - Photocell Shower Armature (Under Plaster)

- Waterproof, includes moisture protection sealed structure
- Single water inlet
- Photozell sensor activated after stopping for 2 seconds uninterruptedly in front of it for safety purposes.
- After 3 minutes of continuous flow for safety and savings system that stops the water flow (from the area for new flow just exit and re-enter)
- (DC 6V)(4AA Alkaline Battery)
- Battery life 2 years (4000 usage/month)
- The flow rate of water can be adjusted by opening or closing the regulating valve
- Detection distance 50cm
- Compatible with all concealed shower heads
- Ideal working pressure 3-4 bar

Surface : Chrome
Qty / Box : 4

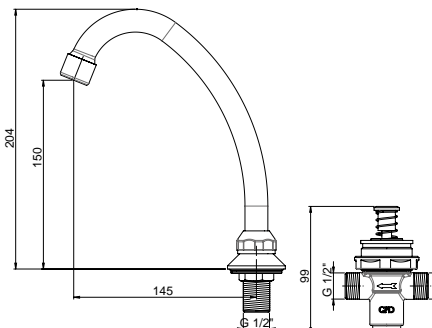
ZAE01 - Self Closing Time Controlled Built in Kitchen Armature (with Cover)



- Single water inlet
- Bubble flow, with lime breaker
- Water flow adjusted between 7 to 14 seconds
- Maximum flow rate 6lt/min
- Length of outlet is 145 mm
- Height of outlet is 150 mm
- Ideal working pressure is 3-4 Bar
- It is recommended to use filter at the entrance of the flat in order to prevent any pollution that may occur in the installation and damage to the armature

Surface : Chrome
Qty / Box : 12

ZAE02 - Self Closing Time Controlled Built in Kitchen Armature (without Cover)



- Single water inlet
- Bubble flow, with lime breaker
- Water flow adjusted between 7 to 14 seconds
- Maximum flow rate 6lt/min
- Length of outlet is 145 mm
- Height of outlet is 150 mm
- Ideal working pressure is 3-4 Bar
- It is recommended to use filter at the entrance of the flat in order to prevent any pollution that may occur in the installation and damage to the armature

Surface : Chrome
Qty / Box : 12



FLOOR-STANDING BATHTUB ARMATURES

NEW

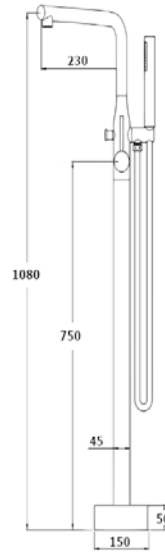


FINISHES



Black

Brush Nickel



YKB200 - Floor Standing Bathtub Armature

- 35 mm special cartridge
- Spout length 230 mm
- Spout height 1080 mm
- 150 cm spiral hose
- Single-function hand shower
- Diverter unit with locking system
- Hot and cold water flexible hose connection dimensions M13x1-1/2" 80cm
- Ideal operation pressure 3-4 Bar
- It is recommended to use filter at the entrance of the flat in order to prevent any pollution that may occur in the installation and damage to the armature

Cartridge Diameter : $\varnothing 35$

Surface : Chrome

Qty / Box : 1

NEW

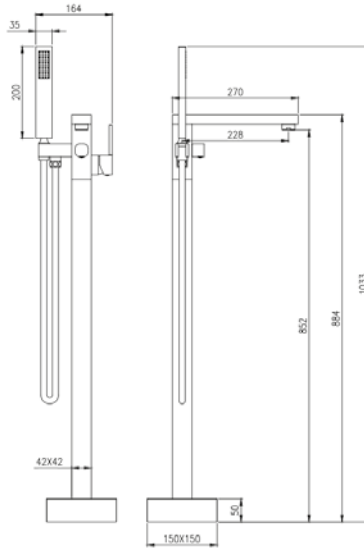


FINISHES



Black

Gold



YKB205 - Floor Standing Bathtub Armature

- 35 mm special cartridge
- Spout length 228 mm
- Spout height 852 mm
- 150 cm spiral hose
- Single-function hand shower
- Cartridge with 2-way divertering for both the hand shower and the body
- Hot and cold water flexible hose connection dimensions M13x1-1/2" 80cm
- Ideal working pressure 3-4 Bar
- It is recommended to use filter at the entrance of the flat in order to prevent any pollution that may occur in the installation and damage to the armature

Cartridge Diameter : $\varnothing 35$

Surface : Chrome

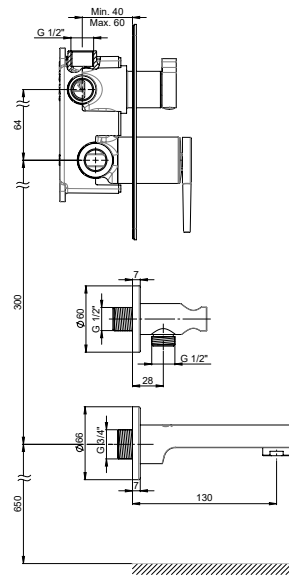
Qty / Box : 1



NEW



FINISHES



MCA195 - Concealed Bathroom Armature (with 3 way diverter and a shower outlet)

- Special water saving aerator (Bubble flow, with lime breaker, Flow rate:12lt/dk)
- Special cartridge
- 3 way ceramic diverter
- System that can be used with both a built-in shower head, a hand shower and a spout
- Compatible with all concealed shower heads
- With plastic safety cover
- With spirit level to prevent oblique mounting
- Length of outlet is 130 mm
- Hot-Cold water installation connection dimensions 3/4\" (1/2\" can be produced upon request)
- Measurement of outlet connection 3/4\" (can be converted to 1/2\" with special nipple up on request)
- Installation under plaster
- Ideal working pressure is 3-4 Bar
- It is recommended to use filter at the entrance of the flat in order to prevent any pollution that may occur in the installation and damage to the armature

Cartridge Diameter : $\varnothing 35$

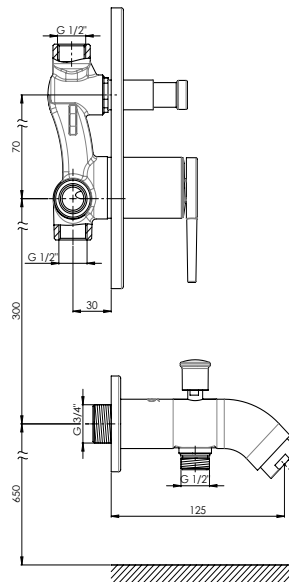
Surface : Chrome

Qty / Box : 4

NEW



FINISHES



MTA195 - Fully Concealed Bathroom Armature

- Special water saving aerator (Bubble flow, with lime breaker, Flow rate:16lt/min)
- Special cartridge
- Compatible with all concealed shower heads and with all handsets
- Length of outlet is 125 mm
- Diverting unit with locking system
- Measurement of outlet connection 3/4\" (can be converted to 1/2\" with special nipple up on request)
- Installation under plaster
- Ideal working pressure is 3-4 Bar
- It is recommended to use filter at the entrance of the flat in order to prevent any pollution that may occur in the installation and damage to the armature
- Plastic safety cover with water level

Cartridge Diameter : $\varnothing 35$

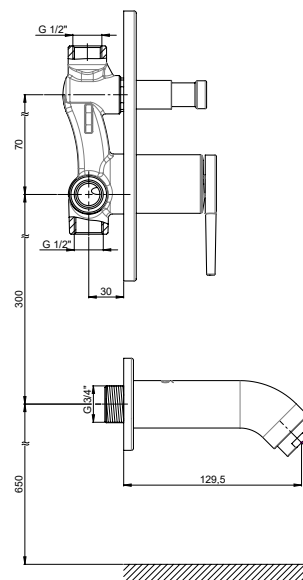
Surface : Chrome

Qty / Box : 4

NEW



FINISHES



MAB195 - Concealed Bathroom Armature

- Special water saving aerator (Bubble flow, with lime breaker, Flow rate:16lt/min)
- Special cartridge
- Compatible with all concealed shower heads and with all handsets by using GGR05
- Length of outlet is 129,5 mm
- Measurement of outlet connection 3/4\" (can be converted to 1/2\" with special nipple up on request)
- Installation under plaster
- Ideal working pressure is 3-4 Bar
- It is recommended to use filter at the entrance of the flat in order to prevent any pollution that may occur in the installation and damage to the armature
- Plastic safety cover with water level

Cartridge Diameter : $\varnothing 35$

Surface : Chrome

Qty / Box : 4



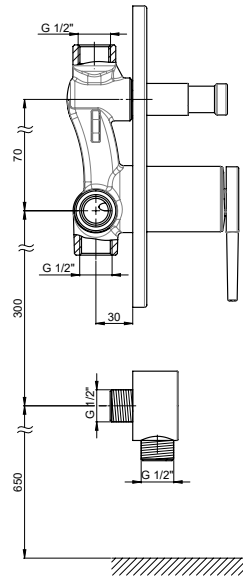
NEW



FINISHES



Black



MKB195 - Concealed Cabin Armature

- Special cartridge
- Compatible with all concealed shower heads and with all handsets
- Shower outlet length is 17,5 mm
- Shower outlet wall connection dimension 1/2"
- Shower outlet spiral hose connection dimension 1/2"
- Installation under plaster
- Ideal working pressure is 3-4 Bar
- It is recommended to use filter at the entrance of the flat in order to prevent any pollution that may occur in the installation and damage to the armature
- Plastic safety cover with water level

Cartridge Diameter : $\varnothing 35$

Surface : Chrome

Qty / Box : 4

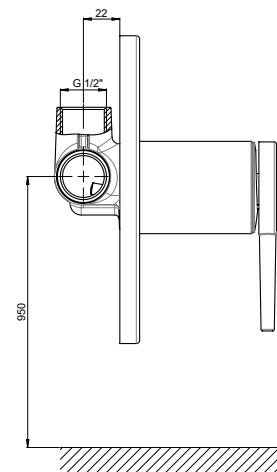
NEW



FINISHES



Black



MAD195 - Concealed Shower Armature

- Special cartridge
- Compatible with all concealed shower heads or with all handsets by using GGR05
- Connection dimension 1/2" (internal thread)
- Installation under plaster
- Ideal working pressure is 3-4 Bar
- It is recommended to use filter at the entrance of the flat in order to prevent any pollution that may occur in the installation and damage to the armature
- Plastic safety cover with water level

Cartridge Diameter : $\varnothing 35$

Surface : Chrome

Qty / Box : 6

NEW



FINISHES



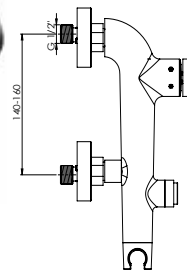
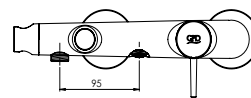
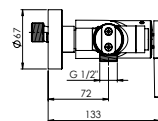
Black



Black
Rose Gold



Brush
Nickel



MBB195 - Bathroom Armature

- Special rectangular aerator suitable for body design (Foamy flow, lime with breaker, flow rate: 10.5lt/min)
- Cartridge with 2-way button diverter for both hand shower and body
- Spout length 72 mm
- Battery connection threads 3/4"
- Eccentric connection threads 3/4"-1/2"
- Spiral hose connection threads 1/2"
- Ideal working pressure is 3-4 Bar
- It is recommended to use a filter interval tap with the product in order to prevent any pollution that may occur in the installation from damaging the armature

Cartridge Diameter : $\varnothing 35$

Surface : Chrome

Qty / Box : 4



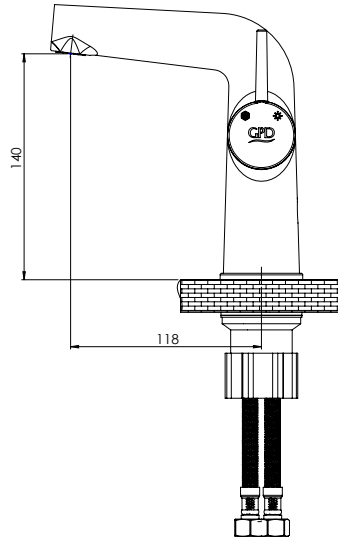
NEW



FINISHES



Black Black Rose Gold Brush Nickel



MLB195 - Wash Basin Armature

- Concealed aerator (Foam flow, lime crusher, flow rate: 8lt/min)
- Spout length 118 mm
- Spout height 140 mm
- Hot and cold water flexible hose connection dimensions M8x1-3/8" (or 1/2") 50cm
- Ideal working pressure is 3-4 Bar
- It is recommended to use a filter interval tap with the product in order to prevent any pollution that may occur in the installation from damaging the armature

Cartridge Diameter : $\varnothing 35$
Surface : Chrome
Qty / Box : 8

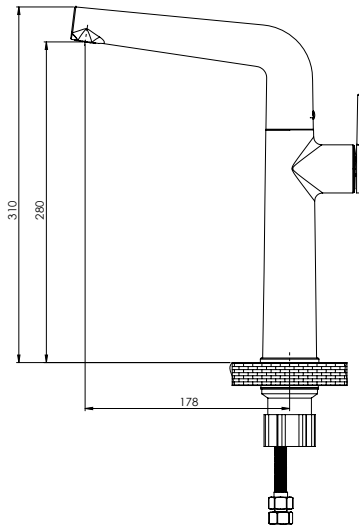
NEW



FINISHES



Black Black Rose Gold Brush Nickel



MLE195 - Over Table Wash Basin/Sink Armature

- Water-saving special aerator (Foam flow, lime crusher, flow rate: 8lt/min)
- 360° rotating tube
- Spout length 178 mm
- Spout height 280 mm
- Hot and cold water flexible hose connection dimensions M10x1-3/8" (or 1/2") 50cm
- Ideal working pressure is 3-4 Bar
- It is recommended to use a filter interval tap with the product in order to prevent any pollution that may occur in the installation from damaging the armature

Cartridge Diameter : $\varnothing 35$
Surface : Chrome
Qty / Box : 8

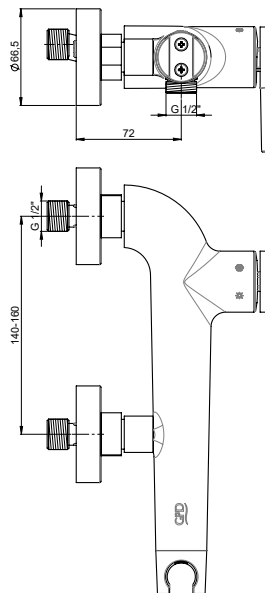
NEW



FINISHES



Black Black Rose Gold Brush Nickel



MDB195 - Shower Armature

- Length of outlet is 72 mm
- Armature connection threads are 3/4"
- Eccentric connection threads are 3/4" - 1/2"
- Spiral hose connection thread 1/2"
- Ideal working pressure is 3-4 Bar
- It is recommended to use filter at the entrance of the flat in order to prevent any pollution that may occur in the installation and damage to the armature

Cartridge Diameter : $\varnothing 35$
Surface : Chrome
Qty / Box : 4



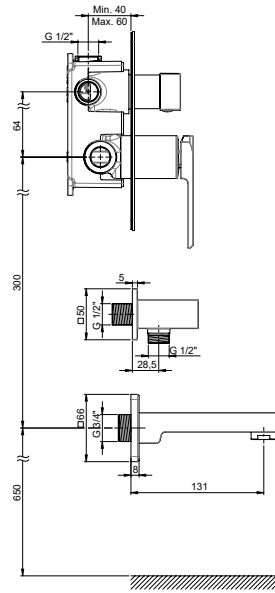
NEW



FINISHES



Black



MCA190 - Concealed Bathroom Armature (with 3 way diverter and a shower outlet)

- Special water saving aerator (Bubble flow, with lime breaker, Flow rate:12lt/dk)
- Special cartridge
- 3 way ceramic diverter
- System that can be used with both a built-in shower head, a hand shower and a spout
- Compatible with all concealed shower heads
- With plastic safety cover
- With spirit level to prevent oblique mounting
- Length of outlet is 131 mm
- Hot-Cold water installation connection dimensions 3/4\" (1/2\" can be produced upon request)
- Measurement of outlet connection 3/4\" (can be converted to 1/2\" with special nipple up on request)
- Installation under plaster
- Ideal working pressure is 3-4 Bar
- It is recommended to use filter at the entrance of the flat in order to prevent any pollution that may occur in the installation and damage to the armature

Cartridge Diameter : $\varnothing 35$

Surface : Chrome

Qty / Box : 4

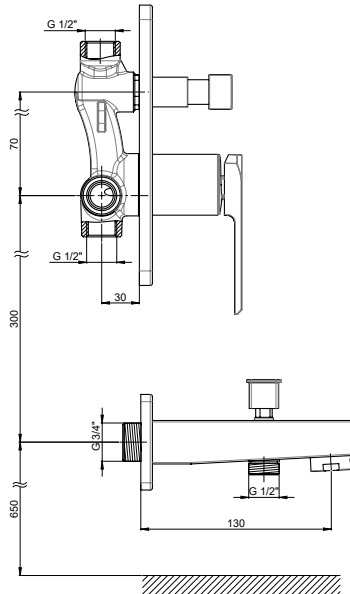
NEW



FINISHES



Black



MTA190 - Fully Concealed Bathroom Armature

- Exclusive design square rosette and square diverter handle, square cartridge cover
- Special water saving aerator 28x1 (Bubble flow, with lime breaker, Flow rate:16lt/min)
- Compatible with all concealed shower heads and with all handsets
- Length of outlet is 130 mm
- Measurement of outlet connection 3/4\" (can be converted to 1/2\" with special nipple up on request)
- Installation under plaster
- Ideal working pressure is 3-4 Bar
- It is recommended to use filter at the entrance of the flat in order to prevent any pollution that may occur in the installation and damage to the armature
- Plastic safety cover with water level

Cartridge Diameter : $\varnothing 35$

Surface : Chrome

Qty / Box : 4

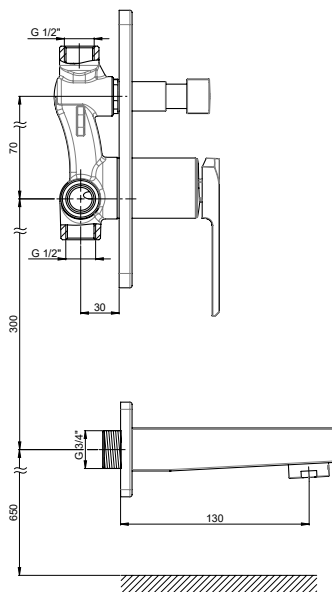
NEW



FINISHES



Black



MAB190 - Concealed Bathroom Armature

- Exclusive design square rosette and square diverter handle, square cartridge cover
- Special water saving aerator 28x1 (Bubble flow, with lime breaker, Flow rate:16lt/min)
- Compatible with all concealed shower heads and with all handsets by using GGR04
- Length of outlet is 130 mm
- Measurement of outlet connection 3/4\" (can be converted to 1/2\" with special nipple up on request)
- Installation under plaster
- Ideal working pressure is 3-4 Bar
- It is recommended to use filter at the entrance of the flat in order to prevent any pollution that may occur in the installation and damage to the armature
- Plastic safety cover with water level

Cartridge Diameter : $\varnothing 35$

Surface : Chrome

Qty / Box : 4



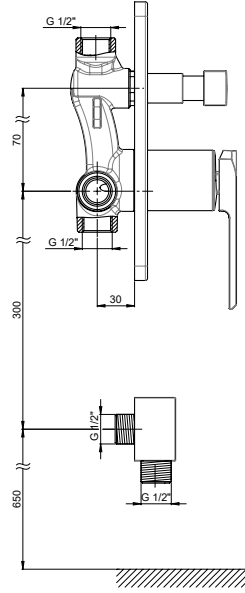
NEW



FINISHES



Black



MKB190 - Concealed Cabin Armature

- Exclusive design square rosette and square diverter handle, square cartridge cover
- Special cartridge
- Compatible with all concealed shower heads and with all handsets
- Shower outlet length is 17,5 mm
- Shower outlet wall connection dimension 1/2"
- Installation under plaster
- Ideal working pressure is 3-4 Bar
- It is recommended to use filter at the entrance of the flat in order to prevent any pollution that may occur in the installation and damage to the armature
- Plastic safety cover with water level

Cartridge Diameter : $\varnothing 35$

Surface : Chrome

Qty / Box : 4

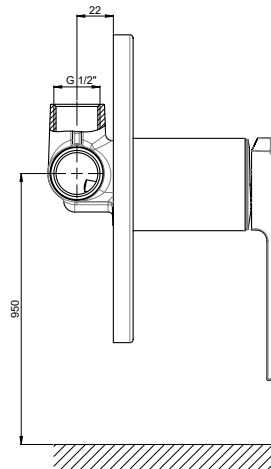
NEW



FINISHES



Black



MAD190 - Concealed Shower Armature

- Special cartridge
- Compatible with all concealed shower heads or with all handsets by using GGR04
- Connection dimension 1/2" (internal thread)
- Installation under plaster
- Ideal working pressure is 3-4 Bar
- It is recommended to use filter at the entrance of the flat in order to prevent any pollution that may occur in the installation and damage to the armature
- Plastic safety cover with water level

Cartridge Diameter : $\varnothing 35$

Surface : Chrome

Qty / Box : 6

NEW



FINISHES



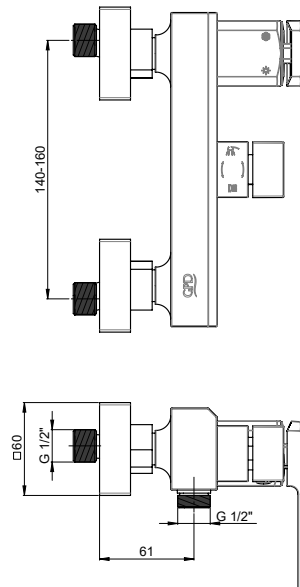
Black



Black Rose Gold



Brush Nickel



MBB190 - Bathroom Armature

- Special rectangular aerator suitable for body design (Foamy flow, lime with crusher, flow rate: 10.5lt/min)
- 2-way ceramic cartridge with diverter for both hand shower and body
- Spout length 61 mm
- Armature connection threads are 3/4"
- Eccentric connection threads are 3/4"-1/2"
- Spiral hose connection threads are 1/2"
- Ideal working pressure is 3-4 Bar
- It is recommended to use a filter interval tap with the product in order to prevent any pollution that may occur in the installation from damaging the armature

Cartridge Diameter : $\varnothing 35$

Surface : Chrome

Qty / Box : 4



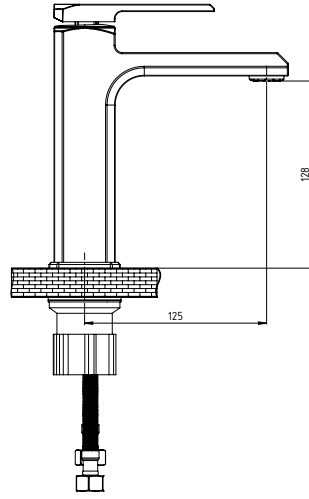
NEW



FINISHES



Black Black Rose Gold Brush Nickel



MLB190 - Wash Basin Armature

- Concealed aerator (Foam flow, lime crusher, flow rate: 8lt/min)
 - Spout length 125 mm
 - Spout height 128 mm
 - Hot and cold water flexible hose connection dimensions M10x1-3/8" (or 1/2") 50cm
 - Ideal working pressure is 3-4 Bar
- It is recommended to use a filter interval tap with the product in order to prevent any pollution that may occur in the installation from damaging the armature

Cartridge Diameter : $\varnothing 35$
 Surface : Chrome
 Qty / Box : 8

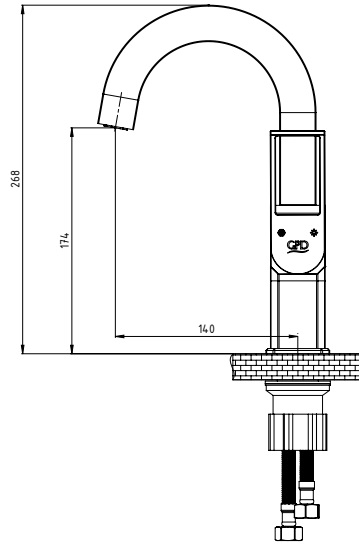
NEW



FINISHES



Black Black Rose Gold Brush Nickel



MTL190 - Monoblock Wash Basin Armature

- Water-saving special aerator (Foam flow, lime crusher, flow rate: 8lt/min)
 - 360° rotating tube
 - Spout length 140 mm
 - Spout height 174 mm
 - Hot and cold water flexible hose connection dimensions M10x1-3/8" (or 1/2") 50cm
 - Ideal working pressure is 3-4 Bar
- It is recommended to use a filter interval tap with the product in order to prevent any pollution that may occur in the installation from damaging the armature

Cartridge Diameter : $\varnothing 35$
 Surface : Chrome
 Qty / Box : 8

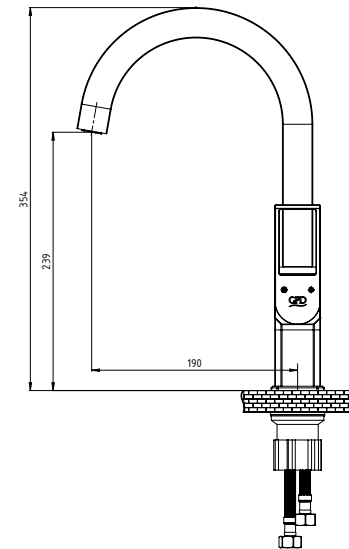
NEW



FINISHES



Black Black Rose Gold Brush Nickel



MTE190 - Monoblock Sink Armature

- Water-saving special aerator (Foam flow, lime crusher, flow rate: 8lt/min)
 - 360° rotating tube
 - Spout length 190 mm
 - Spout height 239 mm
 - Hot and cold water flexible hose connection dimensions M10x1-3/8" (or 1/2") 50cm
 - Ideal working pressure is 3-4 Bar
- It is recommended to use a filter interval tap with the product in order to prevent any pollution that may occur in the installation from damaging the armature

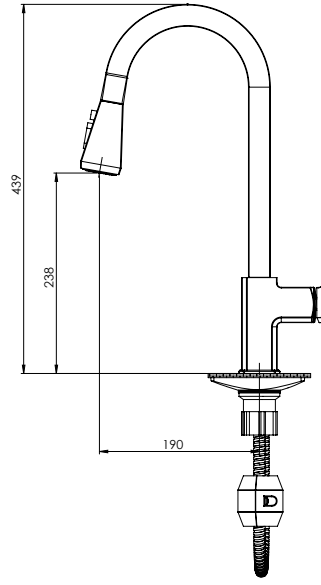
Cartridge Diameter : $\varnothing 35$
 Surface : Chrome
 Qty / Box : 8

**NEW**

FINISHES



Black

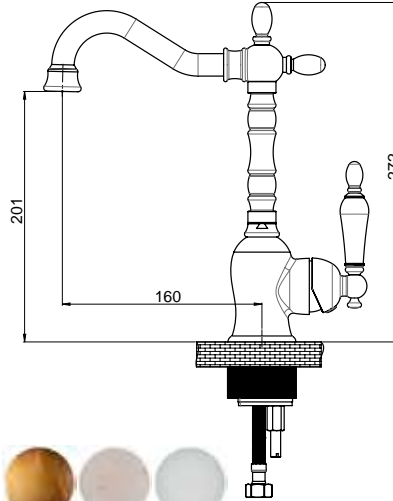
Black
Rose Gold**MES190 - Pull-Out Spray Sink Armature**

- Water-saving special aerator (flow rate: 8lt/min)
- Rotary tube
- Removable 2-function hand shower (straight flow, spray flow)
- 150 cm PE Meshed hose
- Spout length 190 mm
- Spout height 238 mm
- Hot and cold water flexible hose connection dimensions M8x1-3/8" (or 1/2") 50cm
- Ideal working pressure is 3-4 Bar
- It is recommended to use a filter interval tap with the product in order to prevent any pollution that may occur in the installation from damaging the armature

Cartridge Diameter : $\varnothing 35$

Surface : Chrome

Qty / Box : 5



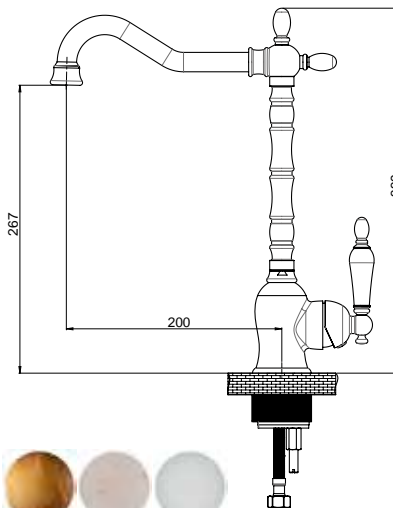
MTL180 - Monoblock Wash Basin Armature

- Special water saving aerator (Bubble flow, with lime breaker, Flow rate:8lt/min)
- Special cartridge
- With swivel spout
- Length of outlet is 160 mm
- Height of outlet is 201 mm
- Retro style design
- Ceramic handle
- Measurement of hot & cold water flex hose connection are M10x1-3/8" (or 1/2") 40 cm
- Ideal working pressure is 3-4 Bar
- To prevent any damage which can be caused by the contaminants inside the fittings, filtered interval taps are recommended

FINISHES



Cartridge Diameter : $\varnothing 35$
 Surface : Chrome
 Qty / Box : 8



MTE180 - Monoblock Sink Armature

- Special water saving aerator (Bubble flow, with lime breaker, Flow rate:8lt/min)
- Special cartridge
- With swivel spout
- Length of outlet is 200 mm
- Height of outlet is 267 mm
- Retro style design
- Ceramic handle
- Measurement of hot & cold water flex hose connection are M10x1-3/8" (or 1/2") 40 cm
- Ideal working pressure is 3-4 Bar
- To prevent any damage which can be caused by the contaminants inside the fittings, filtered interval taps are recommended

FINISHES



Cartridge Diameter : $\varnothing 35$
 Surface : Chrome
 Qty / Box : 8

RETRO

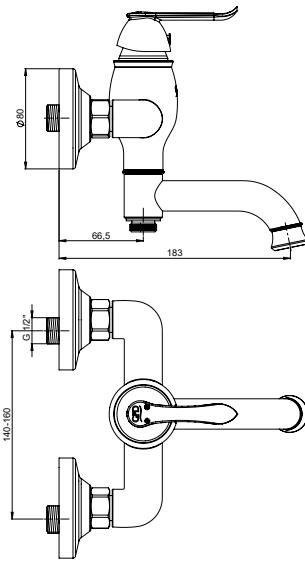
Retro style design

Ceramic handle

MTE180-K-R - Monoblock Sink Armature



FINISHES



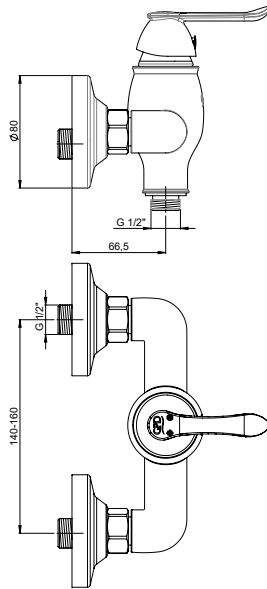
MBB150 - Bathroom Armature

- Special aerator (Flow rate: 16lt/min)
- Special cartridge
- Length of outlet is 183 mm
- Special outlet tip design with 90° rotation
- Shower alignment with outlet brought in parallel with the wall surface
- Armature connection threads are 3/4"
- Eccentric connection threads are 3/4" - 1/2"
- Spiral hose connection thread 1/2"
- Ideal working pressure is 3-4 Bar
- It is recommended to use filter at the entrance of the flat in order to prevent any pollution that may occur in the installation and damage to the armature

Cartridge Diameter : $\phi 35$
Surface : Chrome
Qty / Box : 4



FINISHES



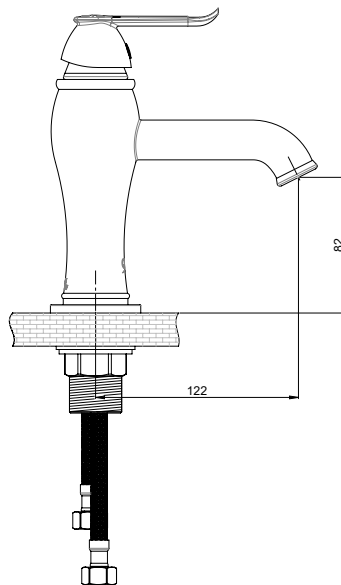
MDB150 - Shower Armature

- Special cartridge
- Shower outlet length is 66,5 mm
- Armature connection threads are 3/4"
- Eccentric connection threads are 3/4" - 1/2"
- Spiral hose connection thread 1/2"
- Ideal working pressure is 3-4 Bar
- It is recommended to use filter at the entrance of the flat in order to prevent any pollution that may occur in the installation and damage to the armature

Cartridge Diameter : $\phi 35$
Surface : Chrome
Qty / Box : 4



FINISHES



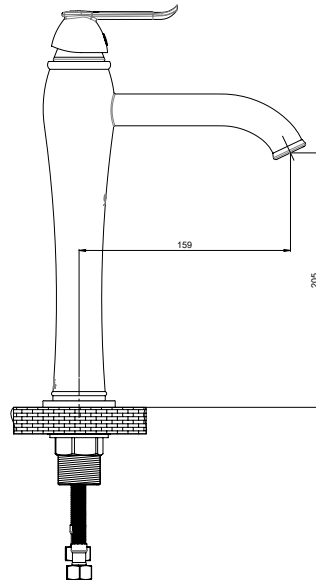
MLB150 - Wash Basin Armature

- Special aerator (Flow rate: 8lt/min)
- Special cartridge
- Length of outlet is 122 mm
- Height of outlet is 82 mm
- Measurements of hot and cold water flex hose connection are M10x1-3/8" (or 1/2") 40cm
- Ideal working pressure is 3-4 Bar
- To prevent any damage which can be caused by the contaminants inside the fittings, filtered interval taps are recommended

Cartridge Diameter : $\phi 35$
Surface : Chrome
Qty / Box : 8



FINISHES

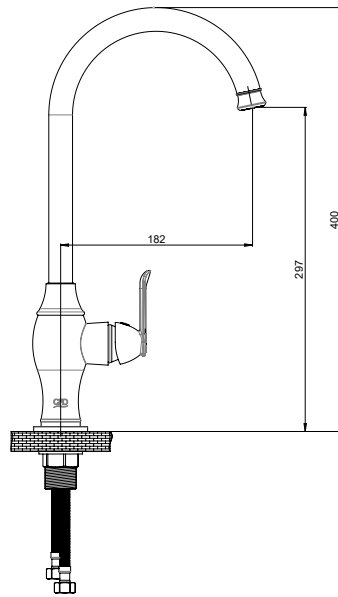


MSL150 - Over Table Wash Basin Armature

- Special aerator (Flow rate: 8lt/min)
- Special cartridge
- Long height to be used at over table wash basins
- Length of outlet is 159 mm
- Height of outlet is 205 mm
- Measurements of hot and cold water flex hose connection are M10x1-3/8" (or 1/2") 40cm
- Ideal working pressure is 3-4 Bar
- To prevent any damage which can be caused by the contaminants inside the fittings, filtered interval taps are recommended

Cartridge Diameter : $\varnothing 35$
Surface : Chrome
Qty / Box : 8

FINISHES



MTE150 - Monoblock Sink Armature

- Special aerator (Flow rate: 8lt/min)
- Special cartridge
- With swivel spout
- Length of outlet is 182 mm
- Height of outlet is 297 mm
- Measurements of hot and cold water flex hose connection are M10x1-3/8" (or 1/2") 40cm
- Ideal working pressure is 3-4 Bar
- To prevent any damage which can be caused by the contaminants inside the fittings, filtered interval taps are recommended

Cartridge Diameter : $\varnothing 35$
Surface : Chrome
Qty / Box : 8



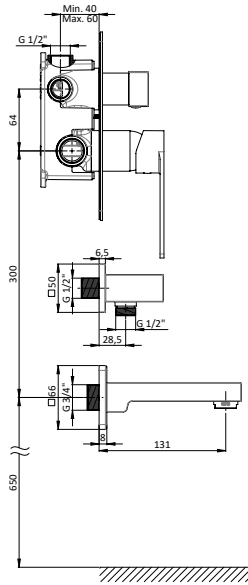
NEW



FINISHES



Gold



MCA155 - Concealed Bathroom Armature (with 3 way diverter and a shower outlet)

- Special water saving aerator (Bubble flow, with lime breaker, Flow rate:12lt/dk)
- Special cartridge
- 3 way ceramic diverter
- System that can be used with both a built-in shower head, a hand shower and a spout
- Compatible with all concealed shower heads
- With plastic safety cover
- With spirit level to prevent oblique mounting
- Length of outlet is 131 mm
- Hot-Cold water installation connection dimensions 3/4" (1/2" can be produced upon request)
- Measurement of outlet connection 3/4" (can be converted to 1/2" with special nipple up on request)
- Installation under plaster
- Ideal working pressure is 3-4 Bar
- It is recommended to use filter at the entrance of the flat in order to prevent any pollution that may occur in the installation and damage to the armature

Cartridge Diameter : $\phi 35$

Surface : Chrome

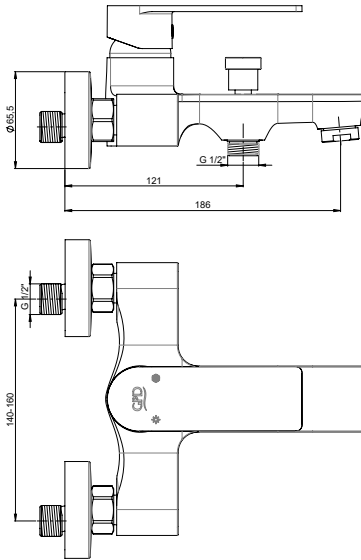
Qty / Box : 4



FINISHES



Gold



MBB155 - Bathroom Armature

- Special aerator (Flow rate: 16lt/min)
- Special cartridge
- Length of outlet is 186 mm
- Diverter unit with locking system
- Armature connection threads are 3/4"
- Eccentric connection threads are 3/4" - 1/2"
- Spiral hose connection thread 1/2"
- Ideal working pressure is 3-4 Bar
- It is recommended to use filter at the entrance of the flat in order to prevent any pollution that may occur in the installation and damage to the armature

Cartridge Diameter : $\phi 35$

Surface : Chrome

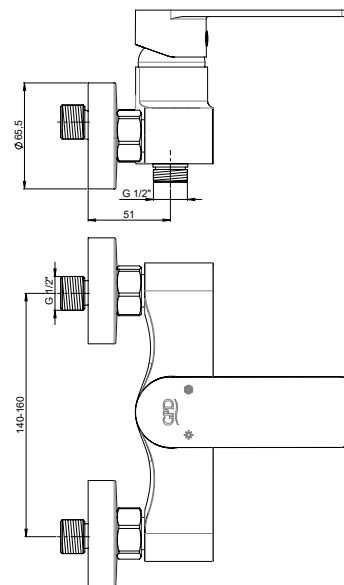
Qty / Box : 4



FINISHES



Gold



MDB155 - Shower Armature

- Shower outlet length is 51 mm
- Special cartridge
- Armature connection threads are 3/4"
- Eccentric connection threads are 3/4" - 1/2"
- Spiral hose connection thread 1/2"
- Ideal working pressure is 3-4 Bar
- It is recommended to use filter at the entrance of the flat in order to prevent any pollution that may occur in the installation and damage to the armature

Cartridge Diameter : $\phi 35$

Surface : Chrome

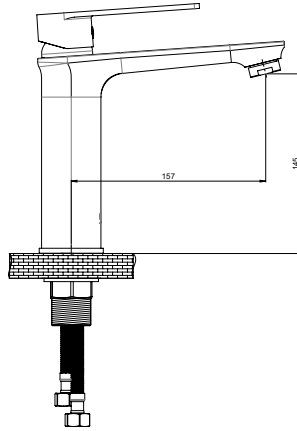
Qty / Box : 4



FINISHES



Gold



MLB155 - Wash Basin Armature

- Special aerator (Flow rate: 8lt/min)
- Special cartridge
- Length of outlet is 157 mm
- Height of outlet is 145 mm
- Measurements of hot and cold water flex hose connection are M10x1-3/8" (or 1/2") 40cm
- Ideal working pressure is 3-4 Bar
- To prevent any damage which can be caused by the contaminants inside the fittings, filtered interval taps are recommended

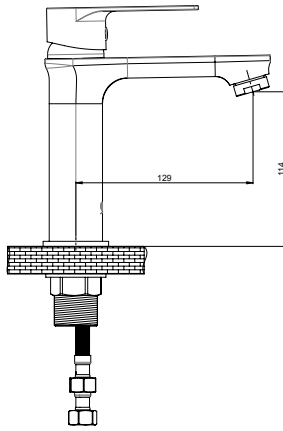
Cartridge Diameter : $\varnothing 35$
 Surface : Chrome
 Qty / Box : 8



FINISHES



Gold



MLB156 - Short Wash Basin Armature

- Special aerator (Flow rate: 8lt/min)
- Special cartridge
- Length of outlet is 129 mm
- Height of outlet is 114 mm
- Measurements of hot and cold water flex hose connection are M10x1-3/8" (or 1/2") 40cm
- Ideal working pressure is 3-4 Bar
- To prevent any damage which can be caused by the contaminants inside the fittings, filtered interval taps are recommended

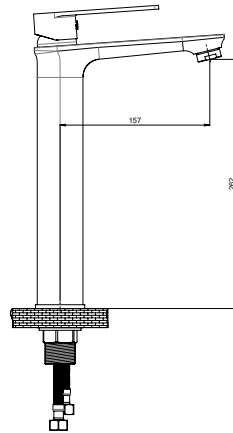
Cartridge Diameter : $\varnothing 35$
 Surface : Chrome
 Qty / Box : 8



FINISHES



Gold



MSL155 - Over Table Wash Basin Armature

- Special aerator (Flow rate: 8lt/min)
- Special cartridge
- Long height to be used at over table wash basins
- Length of outlet is 157 mm
- Height of outlet is 262 mm
- Measurements of hot and cold water flex hose connection are M10x1-3/8" (or 1/2") 40cm
- Ideal working pressure is 3-4 Bar
- To prevent any damage which can be caused by the contaminants inside the fittings, filtered interval taps are recommended

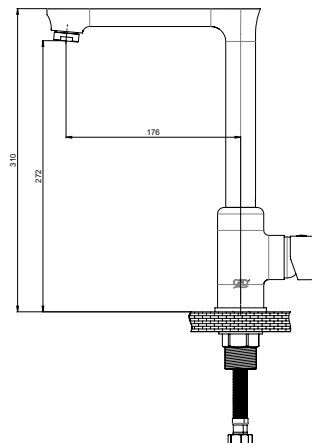
Cartridge Diameter : $\varnothing 35$
 Surface : Chrome
 Qty / Box : 8



FINISHES



Gold



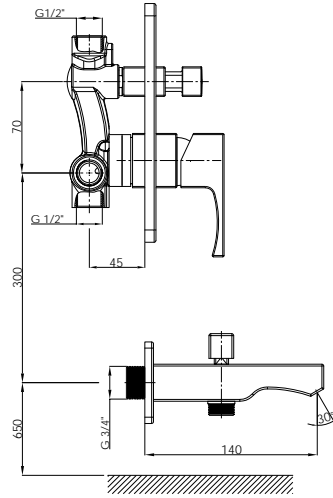
MTE155 - Monoblock Sink Armature

- Special aerator (Flow rate: 8lt/min)
- Special cartridge
- With swivel spout
- Length of outlet is 176 mm
- Height of outlet is 272 mm
- Measurements of hot and cold water flex hose connection are M10x1-3/8" (or 1/2") 40cm
- Ideal working pressure is 3-4 Bar
- To prevent any damage which can be caused by the contaminants inside the fittings, filtered interval taps are recommended

Cartridge Diameter : $\varnothing 35$
 Surface : Chrome
 Qty / Box : 8



RENEWED



MTA105 - Fully Concealed Bathroom Armature

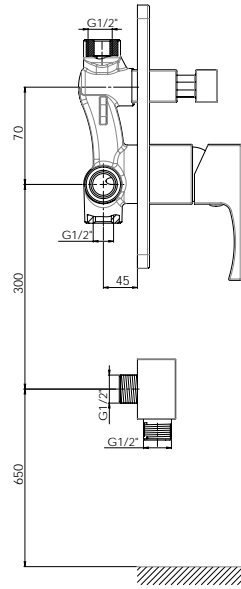
- Exclusive design square rosette and square diverter handle, square cartridge cover
- Outlet with natural flow
- Special cartridge
- Compatible with all concealed shower heads and with all handsets
- Length of outlet is 140 mm
- Measurement of outlet connection 3/4" (can be converted to 1/2" with special nipple up on request)
- Installation under plaster
- Ideal working pressure is 3-4 Bar
- It is recommended to use filter at the entrance of the flat in order to prevent any pollution that may occur in the installation and damage to the armature
- Plastic safety cover with water level

Cartridge Diameter : $\varnothing 35$

Surface : Chrome

Qty / Box : 4

RENEWED



MKB105 - Concealed Cabin Armature

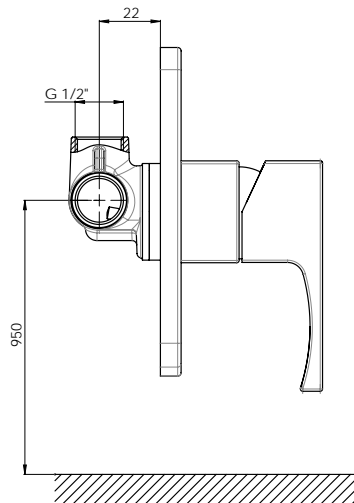
- Exclusive design square rosette and square diverter handle, square cartridge cover
- Special cartridge
- Compatible with all concealed shower heads and with all handsets
- Shower outlet length 17,5 mm
- Shower outlet wall connection dimension 1/2"
- Shower outlet spiral hose connection dimension 1/2"
- Installation under plaster
- Ideal working pressure is 3-4 Bar
- It is recommended to use filter at the entrance of the flat in order to prevent any pollution that may occur in the installation and damage to the armature
- Plastic safety cover with water level

Cartridge Diameter : $\varnothing 35$

Surface : Chrome

Qty / Box : 4

RENEWED



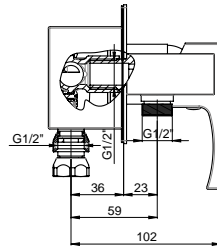
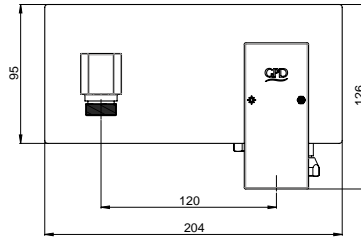
MAD105 - Concealed Shower Armature

- Exclusive design square rosette and square diverter handle, square cartridge cover
- Special cartridge
- Compatible with all concealed shower heads or with all handsets by using GGR04
- Connection dimension 1/2" (internal thread)
- Installation under plaster
- Ideal working pressure is 3-4 Bar
- It is recommended to use filter at the entrance of the flat in order to prevent any pollution that may occur in the installation and damage to the armature
- Plastic safety cover with water level

Cartridge Diameter : $\varnothing 35$

Surface : Chrome

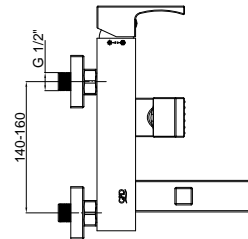
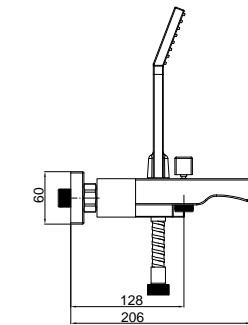
Qty / Box : 6



AST105 - Concealed Spray Bidet Armature (without STS)

- Special cartridge
- Length of outlet is 23 mm
- Installation under plaster
- Ideal working pressure is 3-4 Bar
- Brass hanger with 1/2" connection
- It is recommended to use filter at the entrance of the flat in order to prevent any pollution that may occur in the installation and damage to the armature

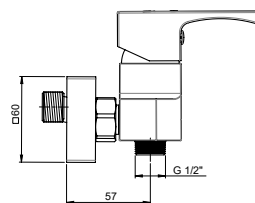
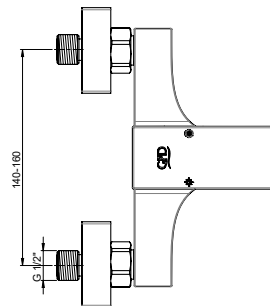
Cartridge Diameter : $\varnothing 35$
 Surface : Chrome
 Qty / Box : 4



MBB105 - Bathroom Armature

- Outlet with natural flow
- Special cartridge
- With special design hand shower (with lime breaker)
- With 150 cm spiral hose (1/2" - 1/2")
- Length of outlet is 206 mm
- Armature connection threads are 3/4"
- Eccentric connection threads are 3/4" - 1/2"
- Spiral hose connection threads are 1/2"
- Ideal working pressure is 3-4 Bar
- It is recommended to use filter at the entrance of the flat in order to prevent any pollution that may occur in the installation and damage to the armature

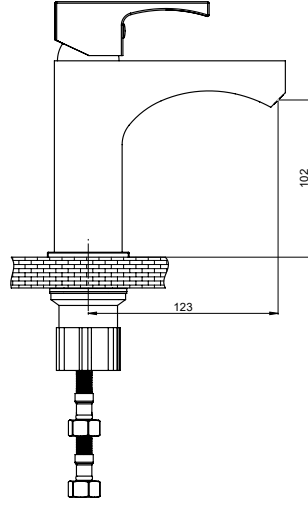
Cartridge Diameter : $\varnothing 35$
 Surface : Chrome
 Qty / Box : 4



MDB105 - Shower Armature

- Special cartridge
- Shower outlet length is 57 mm
- Armature connection threads are 3/4"
- Eccentric connection threads are 3/4" - 1/2"
- Spiral hose connection thread 1/2"
- Ideal working pressure is 3-4 Bar
- It is recommended to use filter at the entrance of the flat in order to prevent any pollution that may occur in the installation and damage to the armature

Cartridge Diameter : $\varnothing 35$
 Surface : Chrome
 Qty / Box : 4



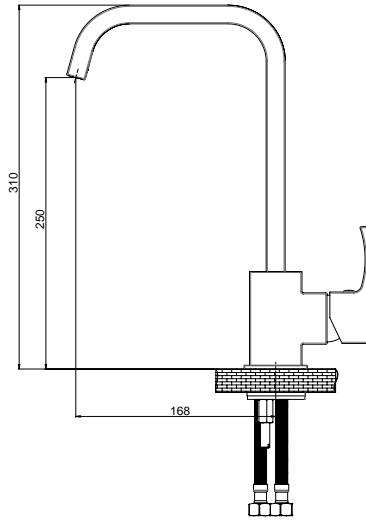
MLB105 - Wash Basin Armature

- Special rectangle aerator relevant with body design (Bubble flow, with lime breaker)
- Special cartridge
- Length of outlet is 123 mm
- Height of outlet is 102 mm
- Measurements of hot and cold water flex hose connection are M10x1-3/8" (or 1/2") 40cm
- Ideal working pressure is 3-4 Bar
- To prevent any damage which can be caused by the contaminants inside the fittings, filtered interval taps are recommended

Cartridge Diameter : $\varnothing 35$

Surface : Chrome

Qty / Box : 8



MTE105 - Monoblock Sink Armature

- Special rectangle aerator relevant with body design (Bubble flow, with lime breaker)
- Special cartridge
- With swivel spout
- Length of outlet is 168 mm
- Height of outlet is 250 mm
- Measurements of hot and cold water flex hose connection are M10x1-3/8" (or 1/2") 40cm
- Ideal working pressure is 3-4 Bar
- To prevent any damage which can be caused by the contaminants inside the fittings, filtered interval taps are recommended

Cartridge Diameter : $\varnothing 35$

Surface : Chrome

Qty / Box : 8



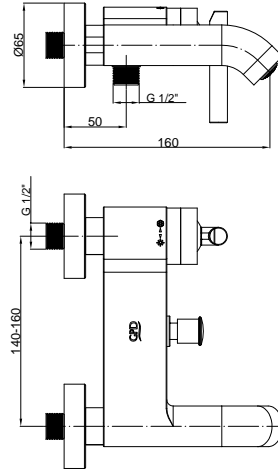
MBB100 - Bathroom Armature



FINISHES



Black



- Cache aerator (Bubble flow, with lime breaker, Flow rate: 16lt/min)
- Special cartridge
- Special design lever
- Diverter unit with locking system
- Length of outlet is 160 mm
- Armature connection threads are 3/4"
- Eccentric connection threads are 3/4" - 1/2"
- Spiral hose connection thread 1/2"
- Ideal working pressure is 3-4 Bar
- It is recommended to use filter at the entrance of the flat in order to prevent any pollution that may occur in the installation and damage to the armature

Cartridge Diameter : $\varnothing 35$

Surface : Chrome

Qty / Box : 4

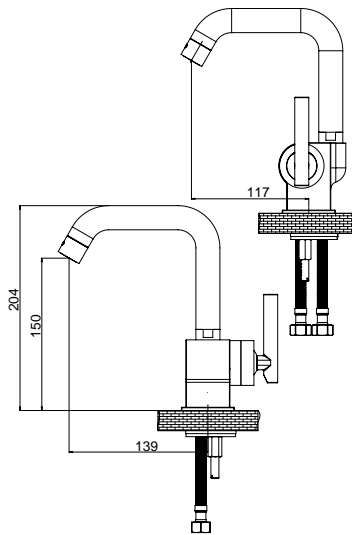
MLB100 - Wash Basin Armature



FINISHES



Black



- Special water saving aerator (Bubble flow, with lime breaker, Flow rate: 8lt/min)
- Special cartridge
- Special design lever
- With swivel spout
- Length of outlet is 117 mm
- Height of outlet is 150 mm
- Measurements of hot and cold water flex hose connection are M10x1-3/8" (or 1/2") 40cm
- Ideal working pressure is 3-4 Bar
- To prevent any damage which can be caused by the contaminants inside the fittings, filtered interval taps are recommended

Cartridge Diameter : $\varnothing 35$

Surface : Chrome

Qty / Box : 8

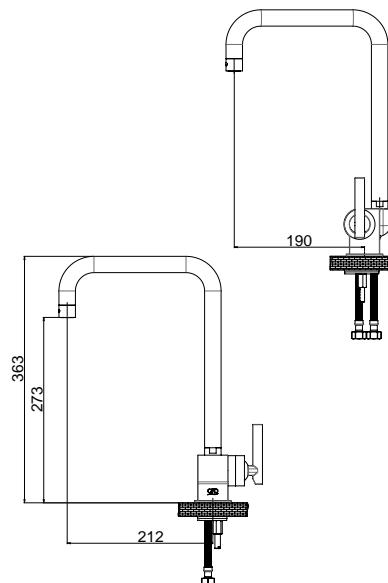
MTE100 - Monoblock Sink Armature



FINISHES



Black



- Special water saving aerator (Bubble flow, with lime breaker, Flow rate: 8lt/mi)
- Special cartridge
- Special design lever
- With swivel spout
- Length of outlet is 190 mm
- Height of outlet is 273 mm
- Measurements of hot and cold water flex hose connection are M10x1-3/8" (or 1/2") 40cm
- Ideal working pressure is 3-4 Bar
- To prevent any damage which can be caused by the contaminants inside the fittings, filtered interval taps are recommended

Cartridge Diameter : $\varnothing 35$

Surface : Chrome

Qty / Box : 8



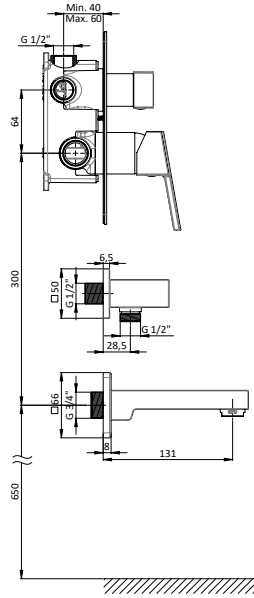
NEW



FINISHES



Black



MCA85 - Concealed Bathroom Armature (with 3 way diverter and a shower outlet)

- Special water saving aerator (Bubble flow, with lime breaker, Flow rate:12lt/dk)
- Special cartridge
- 3 way ceramic diverter
- System that can be used with both a built-in shower head, a hand shower and a spout
- Compatible with all concealed shower heads
- With plastic safety cover
- With spirit level to prevent oblique mounting
- Length of outlet is 131 mm
- Hot-Cold water installation connection dimensions 3/4\" (1/2\" can be produced upon request)
- Measurement of outlet connection 3/4\" (can be converted to 1/2\" with special nipple up on request)
- Installation under plaster
- Ideal working pressure is 3-4 Bar
- It is recommended to use filter at the entrance of the flat in order to prevent any pollution that may occur in the installation and damage to the armature

Cartridge Diameter : $\varnothing 35$

Surface : Chrome

Qty / Box : 4

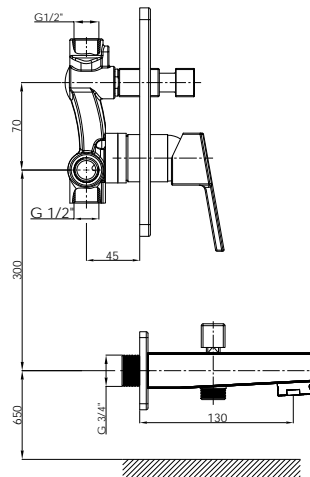
RENEWED



FINISHES



Black



MTA85 MTA85-C Fully Concealed Bathroom Armature

- Special cartridge
- Cold start cartridge - when the handle is in the middle position, system start with cold water
- Exclusive design square rosette and square diverter handle, square cartridge cover
- Special water saving aerator (Bubble flow, with lime breaker, Flow rate:16lt/min)
- Compatible with all concealed shower heads and with all handsets
- Length of outlet is 130 mm
- Measurement of outlet connection 3/4\" (can be converted to 1/2\" with special nipple up on request)
- Installation under plaster
- Ideal working pressure is 3-4 Bar
- It is recommended to use filter at the entrance of the flat in order to prevent any pollution that may occur in the installation and damage to the armature
- Plastic safety cover with water level

Cartridge Diameter : $\varnothing 35$

Surface : Chrome

Qty / Box : 4

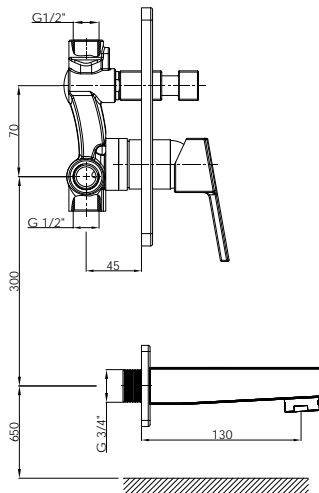
RENEWED



FINISHES



Black



MAB85 MAB85-C Concealed Bathroom Armature

- Special cartridge
- Cold start cartridge - when the handle is in the middle position, system start with cold water
- Exclusive design square rosette and square diverter handle, square cartridge cover
- Special water saving aerator (Bubble flow, with lime breaker, Flow rate:16lt/min)
- Compatible with all concealed shower heads and with all handsets by using GGR04
- Length of outlet is 130 mm
- Measurement of outlet connection 3/4\" (can be converted to 1/2\" with special nipple up on request)
- Installation under plaster
- Ideal working pressure is 3-4 Bar
- It is recommended to use filter at the entrance of the flat in order to prevent any pollution that may occur in the installation and damage to the armature
- Plastic safety cover with water level

Cartridge Diameter : $\varnothing 35$

Surface : Chrome

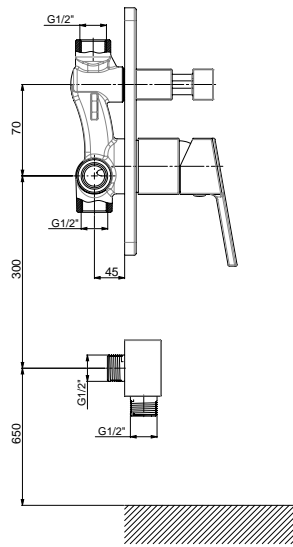
Qty / Box : 4



RENEWED



FINISHES



MKB85 MKB85-C Concealed Cabin Armature

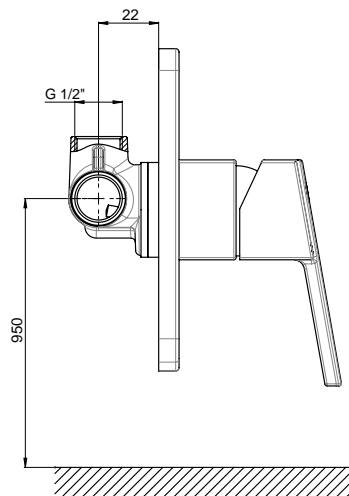
- Special cartridge
- Cold start cartridge - when the handle is in the middle position, system start with cold water
- Exclusive design square rosette and square diverter handle, square cartridge cover
- Compatible with all concealed shower heads and with all handsets
- Shower outlet length is 17,5 mm
- Shower outlet wall connection dimension 1/2"
- Installation under plaster
- Ideal working pressure is 3-4 Bar
- It is recommended to use filter at the entrance of the flat in order to prevent any pollution that may occur in the installation and damage to the armature
- Plastic safety cover with water level

Cartridge Diameter : $\varnothing 35$
Surface : Chrome
Qty / Box : 4

RENEWED



FINISHES



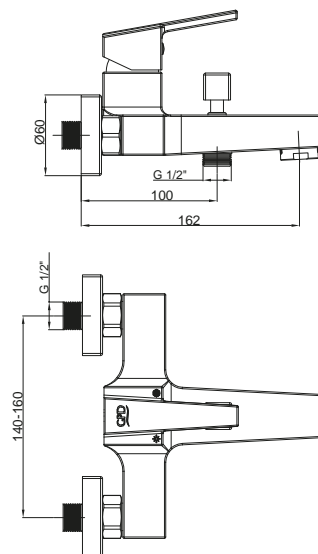
MAD85 MAD85-C Concealed Shower Armature

- Special cartridge
- Cold start cartridge - when the handle is in the middle position, system start with cold water
- Exclusive design square rosette and square diverter handle, square cartridge cover
- Compatible with all concealed shower heads or with all handsets by using GGR04
- Connection dimension 1/2" (internal thread)
- Installation under plaster
- Ideal working pressure is 3-4 Bar
- It is recommended to use filter at the entrance of the flat in order to prevent any pollution that may occur in the installation and damage to the armature
- Plastic safety cover with water level

Cartridge Diameter : $\varnothing 35$
Surface : Chrome
Qty / Box : 6



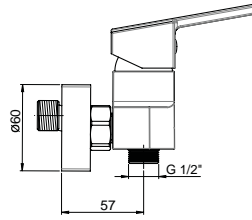
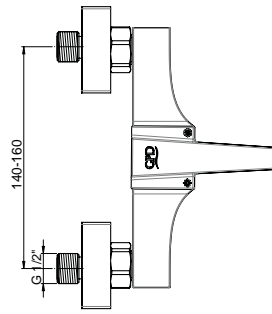
FINISHES



MBB85 MBB85-C Bathroom Armature

- Special cartridge
- Cold start cartridge - when the handle is in the middle position, system start with cold water
- Special water saving aerator (Bubble flow, with lime breaker, Flow rate: 16lt/min)
- Length of outlet is 162 mm
- Armature connection threads are 3/4"
- Eccentric connection threads are 3/4" - 1/2"
- Spiral hose connection thread 1/2"
- Ideal working pressure is 3-4 Bar
- It is recommended to use filter at the entrance of the flat in order to prevent any pollution that may occur in the installation and damage to the armature

Cartridge Diameter : $\varnothing 35$
Surface : Chrome
Qty / Box : 4



FINISHES



Black

MDB85

MDB85-C

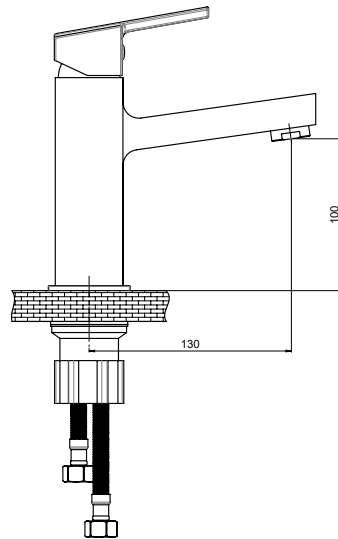
Shower Armature

- Special cartridge
- Cold start cartridge - when the handle is in the middle position, system start with cold water
- Shower outlet length is 57 mm
- Armature connection threads are 3/4"
- Eccentric connection threads are 3/4" - 1/2"
- Spiral hose connection thread 1/2"
- Ideal working pressure is 3-4 Bar
- It is recommended to use filter at the entrance of the flat in order to prevent any pollution that may occur in the installation and damage to the armature

Cartridge Diameter : $\varnothing 35$

Surface : Chrome

Qty / Box : 4



FINISHES



Black

MLB85

MLB85-C

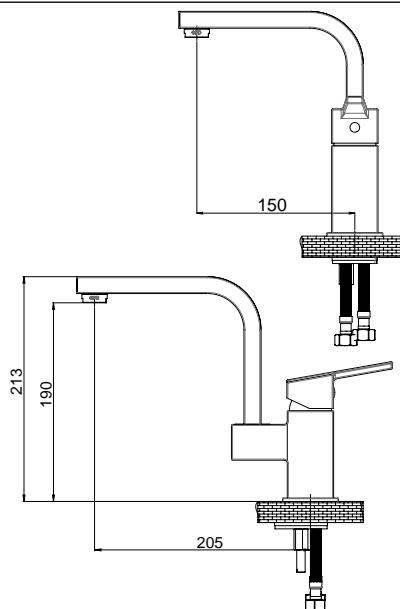
Wash Basin Armature

- Special cartridge
- Cold start cartridge - when the handle is in the middle position, system start with cold water
- Special water saving aerator (Bubble flow, with lime breaker, Flow rate:8lt/min)
- Length of outlet is 130 mm
- Height of outlet is 100 mm
- Measurement of hot & cold water flex hose connection are M10x1-3/8" (or 1/2") 40 cm
- Ideal working pressure is 3-4 Bar
- To prevent any damage which can be caused by the contaminants inside the fittings, filtered interval taps are recommended

Cartridge Diameter : $\varnothing 35$

Surface : Chrome

Qty / Box : 8



FINISHES



Black

MTL85

MTL85-C

Monoblock Wash Basin Armature

- Special cartridge
- Cold start cartridge - when the handle is in the middle position, system start with cold water
- Special water saving aerator (Bubble flow, with lime breaker, Flow rate:8lt/min)
- With swivel spout
- Length of outlet is 150 mm
- Height of outlet is 190 mm
- Measurement of hot & cold water flex hose connection are M10x1-3/8" (or 1/2") 40 cm
- Ideal working pressure is 3-4 Bar
- To prevent any damage which can be caused by the contaminants inside the fittings, filtered interval taps are recommended

Cartridge Diameter : $\varnothing 35$

Surface : Chrome

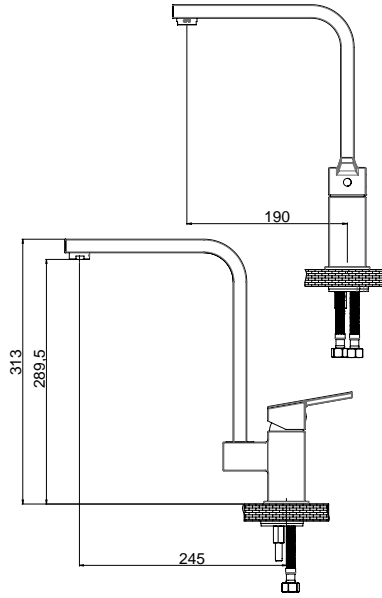
Qty / Box : 8



FINISHES



Black

**MTE85****Monoblock Sink Armature**

- Special cartridge with heat and flow rate

MTE85-C**Monoblock Sink Armature**

- Cold start cartridge - when the handle is in the middle position, system start with cold water

- Special water saving aerator (Bubble flow, with lime breaker, Flow rate:8lt/min)
- With swivel spout
- Length of outlet is 190 mm
- Height of outlet is 289,5 mm
- Measurement of hot & cold water flex hose connection are M10x1-3/8" (or 1/2") 40 cm
- Ideal working pressure is 3-4 Bar
- To prevent any damage which can be caused by the contaminants inside the fittings, filtered interval taps are recommended

Cartridge Diameter : $\varnothing 35$

Surface : Chrome

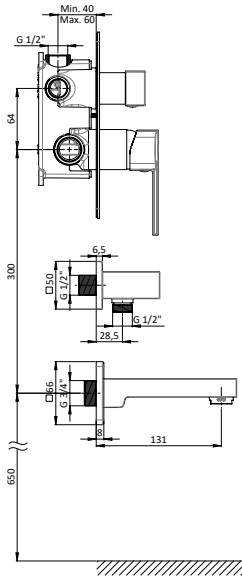
Qty / Box : 8



NEW



FINISHES



MCA160 - Concealed Bathroom Armature (with 3 way diverter and a shower outlet)

- Special water saving aerator (Bubble flow, with lime breaker, Flow rate:12lt/dk)
- Special cartridge
- 3 way ceramic diverter
- System that can be used with both a built-in shower head, a hand shower and a spout
- Compatible with all concealed shower heads
- With plastic safety cover
- With spirit level to prevent oblique mounting
- Length of outlet is 131 mm
- Hot-Cold water installation connection dimensions 3/4" (1/2" can be produced upon request)
- Measurement of outlet connection 3/4" (can be converted to 1/2" with special nipple up on request)
- Installation under plaster
- Ideal working pressure is 3-4 Bar
- It is recommended to use filter at the entrance of the flat in order to prevent any pollution that may occur in the installation and damage to the armature

Cartridge Diameter : $\varnothing 35$

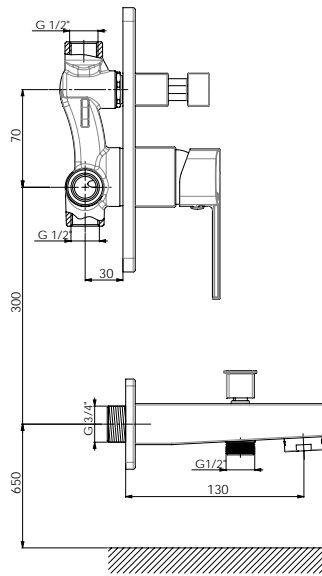
Surface : Chrome

Qty / Box : 4

RENEWED



FINISHES



MTA160 - Fully Concealed Bathroom Armature

- Exclusive design square rosette and square diverter handle, square cartridge cover
- Special water saving aerator 28x1 (Bubble flow, with lime breaker, Flow rate:16lt/min)
- Compatible with all concealed shower heads and with all handsets
- Length of outlet is 130 mm
- Measurement of outlet connection 3/4" (can be converted to 1/2" with special nipple up on request)
- Installation under plaster
- Ideal working pressure is 3-4 Bar
- It is recommended to use filter at the entrance of the flat in order to prevent any pollution that may occur in the installation and damage to the armature
- Plastic safety cover with water level

Cartridge Diameter : $\varnothing 35$

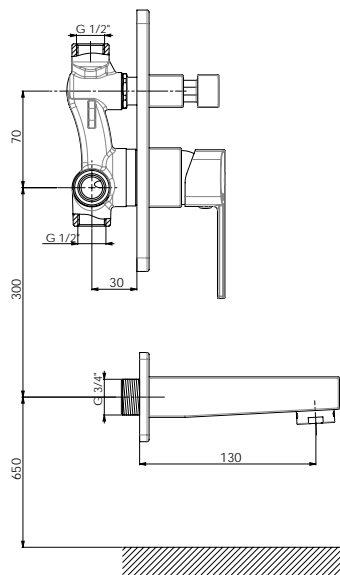
Surface : Chrome

Qty / Box : 4

RENEWED



FINISHES



MAB160 - Concealed Bathroom Armature

- Exclusive design square rosette and square diverter handle, square cartridge cover
- Special water saving aerator 28x1 (Bubble flow, with lime breaker, Flow rate:16lt/min)
- Compatible with all concealed shower heads and with all handsets by using GGR04
- Length of outlet is 130 mm
- Measurement of outlet connection 3/4" (can be converted to 1/2" with special nipple up on request)
- Installation under plaster
- Ideal working pressure is 3-4 Bar
- It is recommended to use filter at the entrance of the flat in order to prevent any pollution that may occur in the installation and damage to the armature
- Plastic safety cover with water level

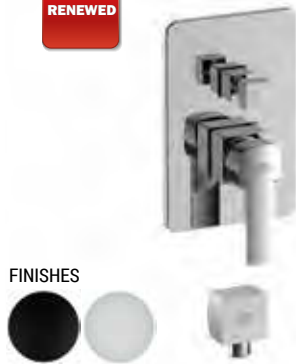
Cartridge Diameter : $\varnothing 35$

Surface : Chrome

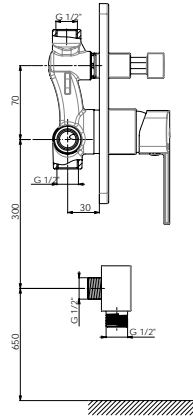
Qty / Box : 4



RENEWED



FINISHES



MKB160 - Concealed Cabin Armature

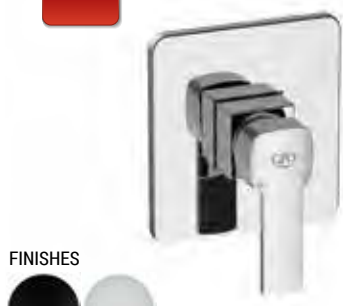
- Exclusive design square rosette and square diverter handle, square cartridge cover
- Special cartridge
- Compatible with all concealed shower heads and with all handsets
- Shower outlet length is 17,5 mm
- Shower outlet wall connection dimension 1/2"
- Installation under plaster
- Ideal working pressure is 3-4 Bar
- It is recommended to use filter at the entrance of the flat in order to prevent any pollution that may occur in the installation and damage to the armature
- Plastic safety cover with water level

Cartridge Diameter : $\varnothing 35$

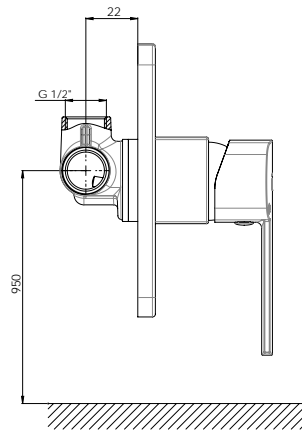
Surface : Chrome

Qty / Box : 4

RENEWED



FINISHES



MAD160 - Concealed Shower Armature

- Special cartridge
- Compatible with all concealed shower heads or with all handsets by using GGR04
- Connection dimension 1/2" (internal thread)
- Installation under plaster
- Ideal working pressure is 3-4 Bar
- It is recommended to use filter at the entrance of the flat in order to prevent any pollution that may occur in the installation and damage to the armature
- Plastic safety cover with water level

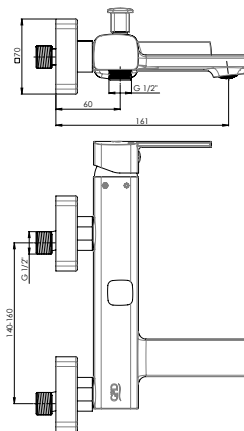
Cartridge Diameter : $\varnothing 35$

Surface : Chrome

Qty / Box : 6



FINISHES



MBB160 - Bathroom Armature

- Cache aerator (Bubble flow, with lime breaker, Flow rate: 10,5lt/min)
- Length of outlet is 161 mm
- Armature connection threads are 3/4"
- Eccentric connection threads are 3/4" - 1/2"
- Spiral hose connection thread 1/2"
- Ideal working pressure is 3-4 Bar
- It is recommended to use filter at the entrance of the flat in order to prevent any pollution that may occur in the installation and damage to the armature

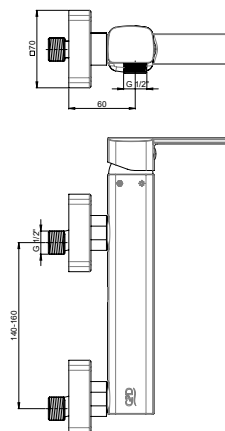
Cartridge Diameter : $\varnothing 35$

Surface : Chrome

Qty / Box : 4



FINISHES



MDB160 - Shower Armature

- Length of outlet is 60 mm
- Armature connection threads are 3/4"
- Eccentric connection threads are 3/4" - 1/2"
- Spiral hose connection thread 1/2"
- Ideal working pressure is 3-4 Bar
- It is recommended to use filter at the entrance of the flat in order to prevent any pollution that may occur in the installation and damage to the armature

Cartridge Diameter : $\varnothing 35$

Surface : Chrome

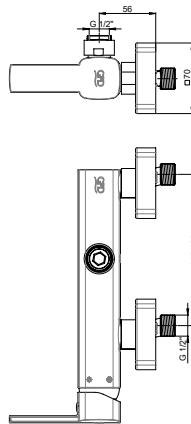
Qty / Box : 4



NEW



FINISHES



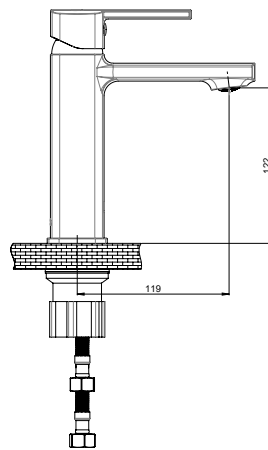
MDU160 - Shower Armature with Upper Connection

- Overhead spiral flex hose output
- On the side of the control lever
- Shower outlet length 56 mm
- Armature connection threads are 3/4"
- Eccentric connection threads are 3/4" - 1/2"
- Ideal working pressure 3-4 bar
- It is recommended to use filter at the entrance of the flat in order to prevent any pollution that may occur in the installation and damage to the armature

Cartridge Diameter : $\varnothing 35$
 Surface : Chrome
 Qty / Box : 4



FINISHES



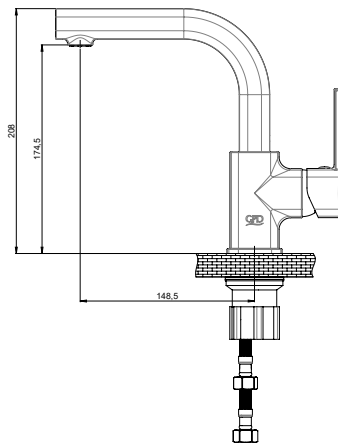
MLB160 - Wash Basin Armature

- Cache aerator (Bubble flow, with lime breaker, Flow rate:8lt/min)
- Length of outlet is 119 mm
- Height of outlet is 122 mm
- Measurement of hot & cold water flex hose connection are M10x1-3/8" (or 1/2") 50 cm
- Ideal working pressure is 3-4 Bar
- To prevent any damage which can be caused by the contaminants inside the fittings, filtered interval taps are recommended

Cartridge Diameter : $\varnothing 35$
 Surface : Chrome
 Qty / Box : 8



FINISHES



MTL160 - Monoblock Wash Basin Armature

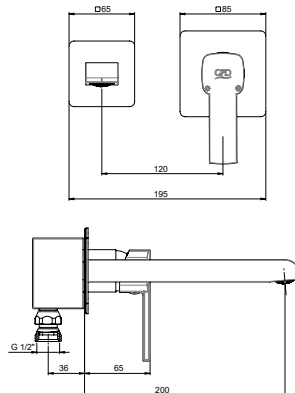
- Special water saving aerator (Bubble flow, with lime breaker, Flow rate:6lt/min)
- With swivel spout 360°
- Length of outlet is 148,5 mm
- Height of outlet is 174,5 mm
- Measurement of hot & cold water flex hose connection are M10x1-3/8" (or 1/2") 50 cm
- Ideal working pressure is 3-4 Bar
- To prevent any damage which can be caused by the contaminants inside the fittings, filtered interval taps are recommended

Cartridge Diameter : $\varnothing 35$
 Surface : Chrome
 Qty / Box : 8

NEW



FINISHES



MDA160 - Concealed Wash Basin Armature

- Special water saving aerator (Bubble flow, with lime breaker, Flow rate:8lt/min)
- Length of outlet is 200 mm
- Ideal working pressure is 3-4 Bar
- Installation is under plaster
- To prevent any damage which can be caused by the contaminants inside the fittings, a filter at the entrance of the flat is recommended

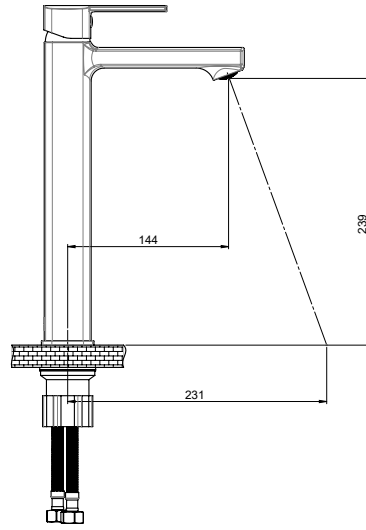
Cartridge Diameter : $\varnothing 35$
 Surface : Chrome
 Qty / Box : 4



FINISHES



Black Black Rose Gold Brush Nickel



MSL160 - Over Table Wash Basin Armature

- Special water saving cache aerator (Bubble flow, with lime breaker, Flow rate:8lt/min)
- Special cartridge
- Long height to be used at over table wash basins
- Length of outlet is 144 mm
- Height of outlet is 239 mm
- Measurements of hot and cold water flex hose connection are M10x1-3/8" (or 1/2") 40cm
- Ideal working pressure is 3-4 Bar
- To prevent any damage which can be caused by the contaminants inside the fittings, filtered interval taps are recommended

Cartridge Diameter : $\varnothing 35$

Surface : Chrome

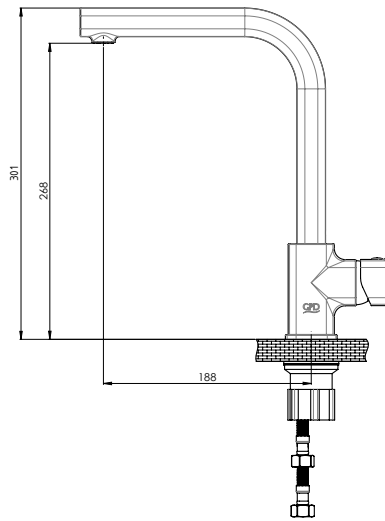
Qty / Box : 5



FINISHES



Black Black Rose Gold Brush Nickel



MTE160 - Monoblock Sink Armature

- Special water saving aerator (Bubble flow, with lime breaker, Flow rate:6lt/min)
- With swivel spout 360°
- Length of outlet is 188 mm
- Height of outlet is 268 mm
- Measurement of hot & cold water flex hose connection are M10x1-3/8" (or 1/2") 50 cm
- Ideal working pressure is 3-4 cm
- To prevent any damage which can be caused by the contaminants inside the fittings, filtered interval taps are recommended

Cartridge Diameter : $\varnothing 35$

Surface : Chrome

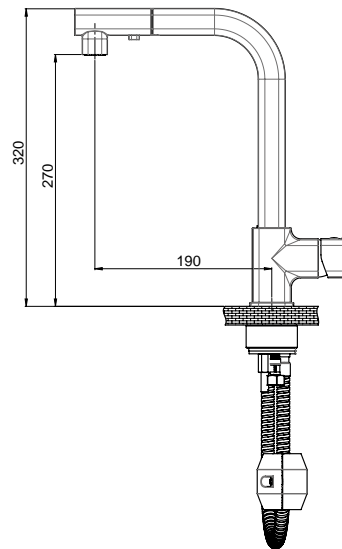
Qty / Box : 8



FINISHES



Black Black Rose Gold



MES160 - Pull-Out Spray Sink Armature

- Special water saving aerator (Bubble flow, with lime breaker, Flow rate:6,5lt/min)
- With swivel spout 180°
- Length of outlet is 190 mm
- Height of outlet is 270 mm
- Removable hand shower with 2 functions
- 150 cm flex hose
- Hand shower function change with rotating movement by aerator
- Water cut feature when holding the button on the hand shower while the mixer is in the open position
- Measurement of hot & cold water flex hose connection are M8x1-3/8" (or 1/2") 50 cm
- Ideal working pressure is 3-4 Bar
- To prevent any damage which can be caused by the contaminants inside the fittings, filtered interval taps are recommended

Cartridge Diameter : $\varnothing 35$

Surface : Chrome

Qty / Box : 5



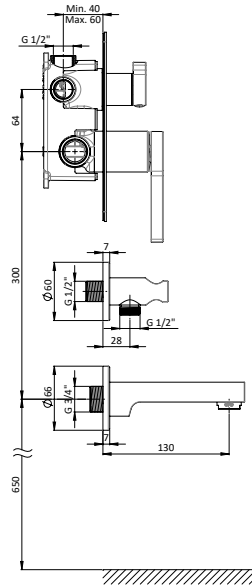
NEW



FINISHES



Black



MCA165 - Concealed Bathroom Armature (with 3 way diverter and a shower outlet)

- Special water saving aerator (Bubble flow, with lime breaker, Flow rate:12lt/dk)
- Special cartridge
- 3 way ceramic diverter
- System that can be used with both a built-in shower head, a hand shower and a spout
- Compatible with all concealed shower heads
- With plastic safety cover
- With spirit level to prevent oblique mounting
- Length of outlet is 130 mm
- Hot-Cold water installation connection dimensions 3/4\" (1/2\" can be produced upon request)
- Measurement of outlet connection 3/4\" (can be converted to 1/2\" with special nipple up on request)
- Installation under plaster
- Ideal working pressure is 3-4 Bar
- It is recommended to use filter at the entrance of the flat in order to prevent any pollution that may occur in the installation and damage to the armature

Cartridge Diameter : ø35

Surface : Chrome

Qty / Box : 4

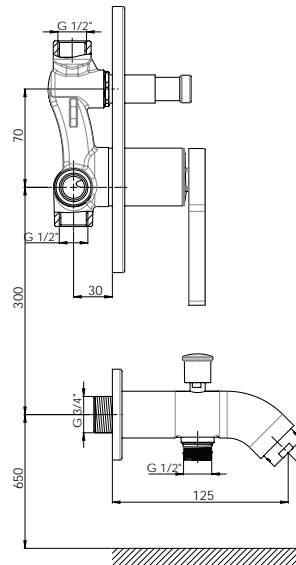
RENEWED



FINISHES



Black



MTA165 - Fully Concealed Bathroom Armature

- Special water saving aerator (Bubble flow, with lime breaker, Flow rate:16lt/min)
- Special cartridge
- Compatible with all concealed shower heads and with all handsets
- Length of outlet is 125 mm
- Diverting unit with locking system
- Measurement of outlet connection 3/4\" (can be converted to 1/2\" with special nipple up on request)
- Installation under plaster
- Ideal working pressure is 3-4 Bar
- It is recommended to use filter at the entrance of the flat in order to prevent any pollution that may occur in the installation and damage to the armature
- Plastic safety cover with water level

Cartridge Diameter : ø35

Surface : Chrome

Qty / Box : 4

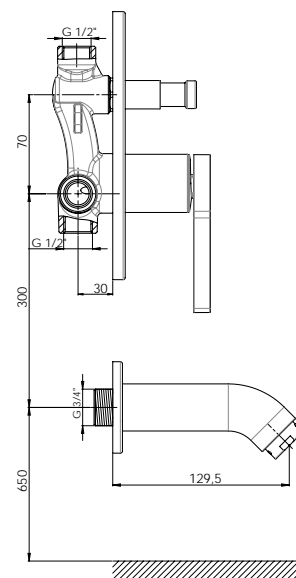
RENEWED



FINISHES



Black



MAB165 - Concealed Bathroom Armature

- Special water saving aerator (Bubble flow, with lime breaker, Flow rate:16lt/min)
- Special cartridge
- Compatible with all concealed shower heads and with all handsets by using GGR05
- Length of outlet is 129,5 mm
- Measurement of outlet connection 3/4\" (can be converted to 1/2\" with special nipple up on request)
- Installation under plaster
- Ideal working pressure is 3-4 Bar
- It is recommended to use filter at the entrance of the flat in order to prevent any pollution that may occur in the installation and damage to the armature
- Plastic safety cover with water level

Cartridge Diameter : ø35

Surface : Chrome

Qty / Box : 4



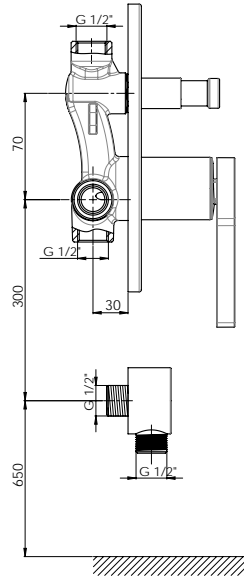
RENEWED



FINISHES



Black



MKB165 - Concealed Cabin Armature

- Special cartridge
- Compatible with all concealed shower heads and with all handsets
- Shower outlet length is 17,5 mm
- Shower outlet wall connection dimension 1/2"
- Shower outlet spiral hose connection dimension 1/2"
- Installation under plaster
- Ideal working pressure is 3-4 Bar
- It is recommended to use filter at the entrance of the flat in order to prevent any pollution that may occur in the installation and damage to the armature
- Plastic safety cover with water level

Cartridge Diameter : $\varnothing 35$
 Surface : Chrome
 Qty / Box : 4

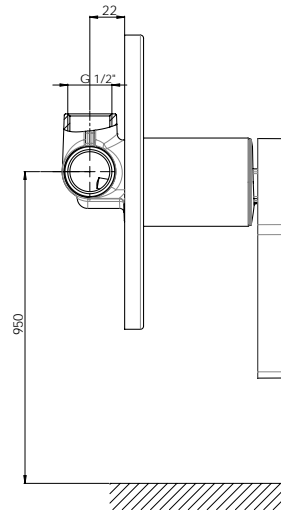
RENEWED



FINISHES



Black



MAD165 - Concealed Shower Armature

- Special cartridge
- Compatible with all concealed shower heads or with all handsets by using GGR05
- Connection dimension 1/2" (internal thread)
- Installation under plaster
- Ideal working pressure is 3-4 Bar
- It is recommended to use filter at the entrance of the flat in order to prevent any pollution that may occur in the installation and damage to the armature
- Plastic safety cover with water level

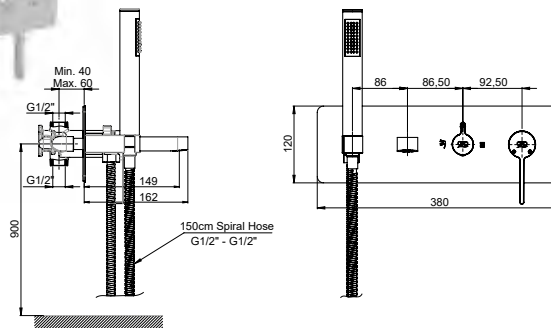
Cartridge Diameter : $\varnothing 35$
 Surface : Chrome
 Qty / Box : 6



FINISHES



Black Black Rose Gold Chrome Black Chrome Rose Gold



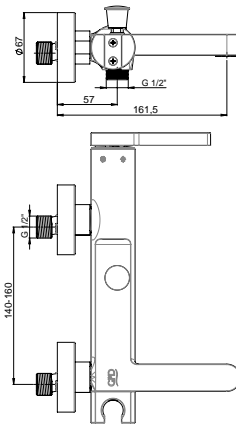
MKA165 - Concealed Mix Combined Bathroom Armature

- Special water saving aerator (Bubble flow, with lime breaker, Flow rate:14lt/min)
- Special cartridge
- Compatible with all concealed shower heads
- Length of outlet is 149 mm
- 3 way ceramic diverter
- Design that can be assembled in one time
- Mechanical design to tolerate up to 20 mm in installation errors
- With plastic protection cover
- With spirit level to prevent oblique mounting
- Ideal working pressure is 3-4 Bar
- It is recommended to use filter at the entrance of the flat in order to prevent any pollution that may occur in the installation and damage to the armature

Cartridge Diameter : $\varnothing 35$
 Surface : Chrome
 Qty / Box : 2



FINISHES



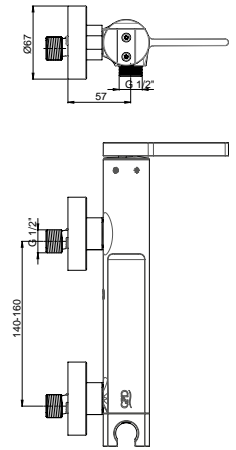
MBB165 - Bathroom Armature

- Special aerator (Bubble flow, with lime breaker, Flow rate:14lt/min)
- Length of outlet is 161,5 mm
- Armature connection threads are 3/4"
- Eccentric connection threads are 3/4" - 1/2"
- Spiral hose connection thread 1/2"
- Ideal working pressure is 3-4 Bar
- It is recommended to use filter at the entrance of the flat in order to prevent any pollution that may occur in the installation and damage to the armature

Cartridge Diameter : $\varnothing 35$
 Surface : Chrome
 Qty / Box : 4



FINISHES



MDB165 - Shower Armature

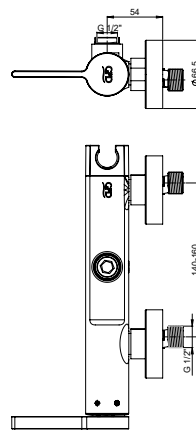
- Length of outlet is 57 mm
- Armature connection threads are 3/4"
- Eccentric connection threads are 3/4" - 1/2"
- Spiral hose connection thread 1/2"
- Ideal working pressure is 3-4 Bar
- It is recommended to use filter at the entrance of the flat in order to prevent any pollution that may occur in the installation and damage to the armature

Cartridge Diameter : $\varnothing 35$
 Surface : Chrome
 Qty / Box : 4

NEW



FINISHES



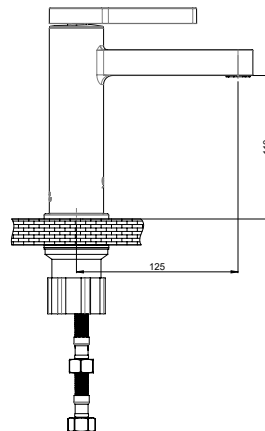
MDU165 - Shower Armature with Upper Connection

- Overhead spiral flex hose output
- On the side of the control lever
- Shower outlet length 54 mm
- Armature connection threads are 3/4"
- Eccentric connection threads are 3/4" - 1/2"
- Spiral hose connection thread 1/2"
- Ideal working pressure 3-4 bar
- It is recommended to use filter at the entrance of the flat in order to prevent any pollution that may occur in the installation and damage to the armature

Cartridge Diameter : $\varnothing 35$
 Surface : Chrome
 Qty / Box : 4



FINISHES



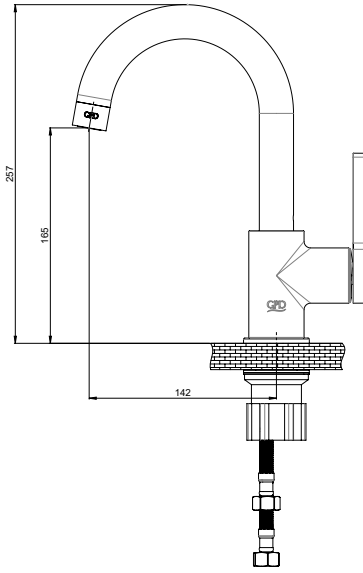
MLB165 - Wash Basin Armature

- Special water saving aerator (Bubble flow, with lime breaker, Flow rate:6lt/min)
- Length of outlet is 125 mm
- Height of outlet is 110 mm
- Measurement of hot & cold water flex hose connection are M10x1-3/8" (or 1/2") 50 cm
- Ideal working pressure is 3-4 Bar
- To prevent any damage which can be caused by the contaminants inside the fittings, filtered interval taps are recommended

Cartridge Diameter : $\varnothing 35$
 Surface : Chrome
 Qty / Box : 8



FINISHES



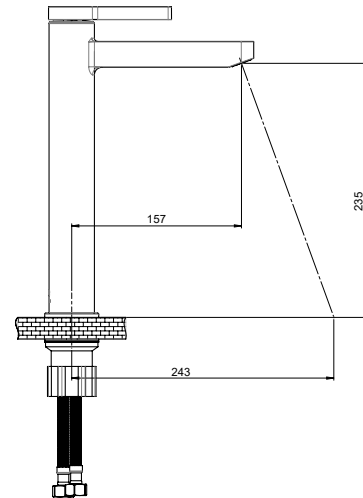
MTL165 - Monoblock Wash Basin Armature

- Special water saving aerator (Bubble flow, with lime breaker, Flow rate:8lt/min)
- With swivel spout 360°
- Length of outlet is 142 mm
- Height of outlet is 165 mm
- Measurement of hot & cold water flex hose connection are M10x1-3/8" (or 1/2") 50 cm
- Ideal working pressure is 3-4 Bar
- To prevent any damage which can be caused by the contaminants inside the fittings, filtered interval taps are recommended

Cartridge Diameter : $\varnothing 35$
 Surface : Chrome
 Qty / Box : 8



FINISHES



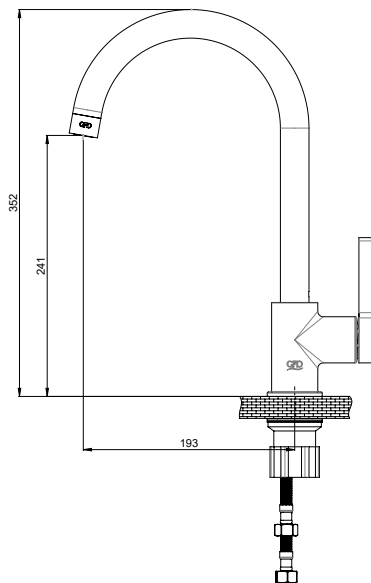
MSL165 - Over Table Wash Basin Armature

- Special water saving aerator (Bubble flow, with lime breaker, Flow rate: 8lt/min)
- Special cartridge
- Long height to be used at over table wash basins
- Length of outlet is 157 mm
- Height of outlet is 235 mm
- Measurements of hot and cold water flex hose connection are M10x1-3/8" (or 1/2") 70cm
- Ideal working pressure is 3-4 Bar
- To prevent any damage which can be caused by the contaminants inside the fittings, filtered interval taps are recommended

Cartridge Diameter : $\varnothing 35$
 Surface : Chrome
 Qty / Box : 5



FINISHES



MTE165 - Monoblock Sink Armature

- Special water saving aerator (Bubble flow, with lime breaker, Flow rate:8lt/min)
- With swivel spout 360°
- Length of outlet is 193 mm
- Height of outlet is 241 mm
- Measurement of hot & cold water flex hose connection are M10x1-3/8" (or 1/2") 50 cm
- Ideal working pressure is 3-4 Bar
- To prevent any damage which can be caused by the contaminants inside the fittings, filtered interval taps are recommended

Cartridge Diameter : $\varnothing 35$
 Surface : Chrome
 Qty / Box : 8



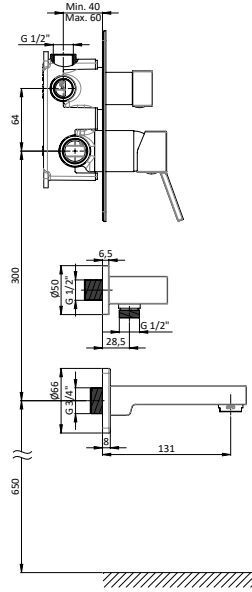
NEW



FINISHES



Black Gold



MCA135 - Concealed Bathroom Armature (with 3 way diverter and a shower outlet)

- Special water saving aerator (Bubble flow, with lime breaker, Flow rate:12lt/dk)
- Special cartridge
- 3 way ceramic diverter
- System that can be used with both a built-in shower head, a hand shower and a spout
- Compatible with all concealed shower heads
- With plastic safety cover
- With spirit level to prevent oblique mounting
- Length of outlet is 131 mm
- Hot-Cold water installation connection dimensions 3/4\" (1/2\" can be produced upon request)
- Measurement of outlet connection 3/4\" (can be converted to 1/2\" with special nipple up on request)
- Installation under plaster
- Ideal working pressure is 3-4 Bar
- It is recommended to use filter at the entrance of the flat in order to prevent any pollution that may occur in the installation and damage to the armature

Cartridge Diameter : $\varnothing 35$

Surface : Chrome

Qty / Box : 4

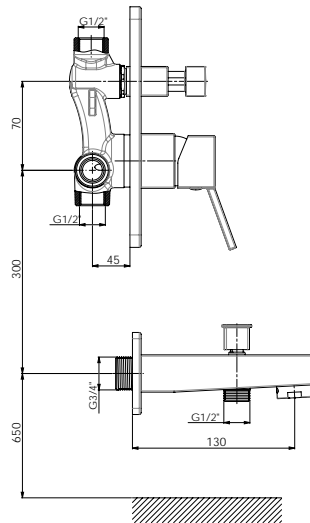
RENEWED



FINISHES



Black Gold



MTA135 - Fully Concealed Bathroom Armature

- Exclusive design square rosette and square diverter handle, square cartridge cover
- Special water saving aerator 28X1 (Bubble flow, with lime breaker, Flow rate:16lt/min)
- Compatible with all concealed shower heads and with all handsets
- Length of outlet is 130 mm
- Measurement of outlet connection 3/4\" (can be converted to 1/2\" with special nipple up on request)
- Installation under plaster
- Ideal working pressure is 3-4 Bar
- It is recommended to use filter at the entrance of the flat in order to prevent any pollution that may occur in the installation and damage to the armature
- Plastic safety cover with water level

Cartridge Diameter : $\varnothing 35$

Surface : Chrome

Qty / Box : 4

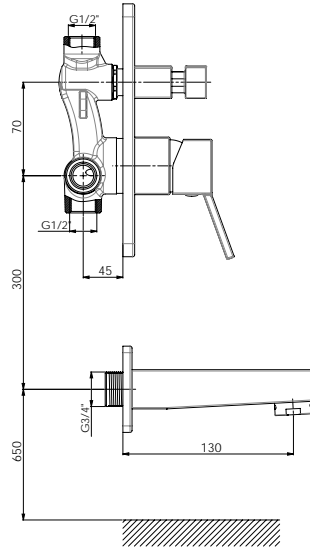
RENEWED



FINISHES



Black Gold



MAB135 - Concealed Bathroom Armature

- Exclusive design square rosette and square diverter handle, square cartridge cover
- Special water saving aerator 28X1 (Bubble flow, with lime breaker, Flow rate:16lt/min)
- Compatible with all concealed shower heads and with all handsets by using GGR04
- Length of outlet is 130 mm
- Measurement of outlet connection 3/4\" (can be converted to 1/2\" with special nipple up on request)
- Installation under plaster
- Ideal working pressure is 3-4 Bar
- It is recommended to use filter at the entrance of the flat in order to prevent any pollution that may occur in the installation and damage to the armature
- Plastic safety cover with water level

Cartridge Diameter : $\varnothing 35$

Surface : Chrome

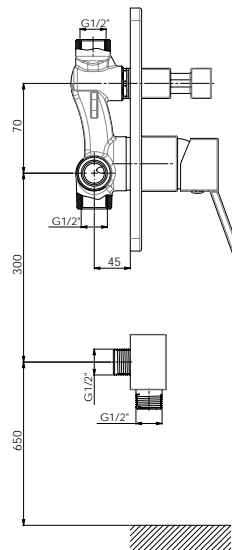
Qty / Box : 4



RENEWED



FINISHES



MKB135 - Concealed Cabin Armature

- Exclusive design square rosette and square diverter handle, square cartridge cover
- Compatible with all concealed shower heads and with all handsets
- Shower outlet length is 17,5 mm
- Shower outlet wall connection dimension 1/2"
- Shower outlet spiral hose connection dimension 1/2"
- Installation under plaster
- Ideal working pressure is 3-4 Bar
- It is recommended to use filter at the entrance of the flat in order to prevent any pollution that may occur in the installation and damage to the armature
- Plastic safety cover with water level

Cartridge Diameter : $\varnothing 35$

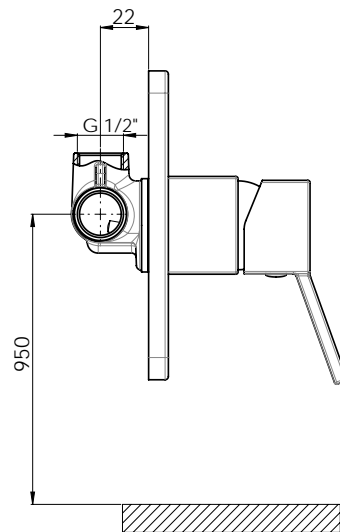
Surface : Chrome

Qty / Box : 4

RENEWED



FINISHES



MAD135 - Concealed Shower Armature

- Compatible with all concealed shower heads or with all handsets by using GGR04
- Connection dimension 1/2" (internal thread)
- Installation under plaster
- Ideal working pressure is 3-4 Bar
- It is recommended to use filter at the entrance of the flat in order to prevent any pollution that may occur in the installation and damage to the armature
- Plastic safety cover with water level

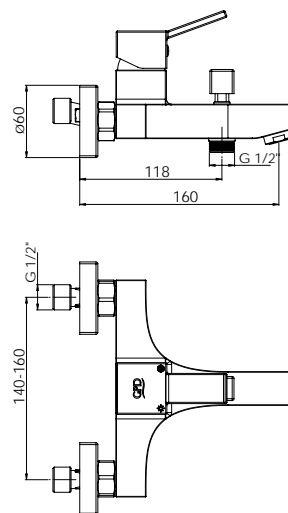
Cartridge Diameter : $\varnothing 35$

Surface : Chrome

Qty / Box : 6



FINISHES



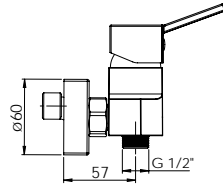
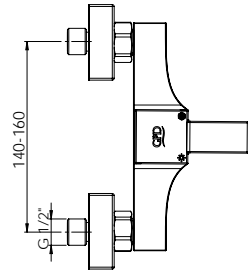
MBB135 - Bathroom Armature

- Special aerator (Bubble flow, with lime breaker, Flow rate: 16lt/min)
- Special cartridge
- Length of outlet is 160 mm
- Armature connection threads are 3/4"
- Eccentric connection threads are 3/4" - 1/2"
- Spiral hose connection thread 1/2"
- Ideal working pressure is 3-4 Bar
- It is recommended to use filter at the entrance of the flat in order to prevent any pollution that may occur in the installation and damage to the armature

Cartridge Diameter : $\varnothing 35$

Surface : Chrome

Qty / Box : 4



FINISHES

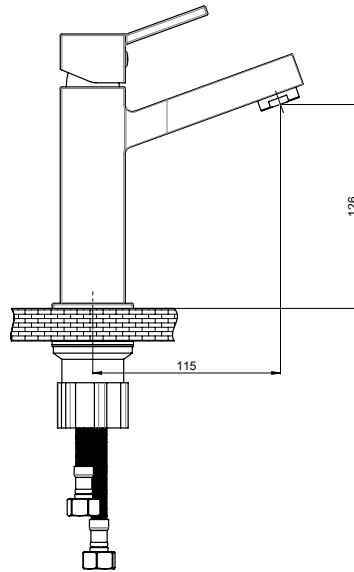


Black Gold

MDB135 - Shower Armature

- Special cartridge
- Shower outlet length is 57 mm
- Armature connection threads are 3/4"
- Eccentric connection threads are 3/4" - 1/2"
- Spiral hose connection thread 1/2"
- Ideal working pressure is 3-4 Bar
- It is recommended to use filter at the entrance of the flat in order to prevent any pollution that may occur in the installation and damage to the armature

Cartridge Diameter : $\varnothing 35$
Surface : Chrome
Qty / Box : 4



FINISHES

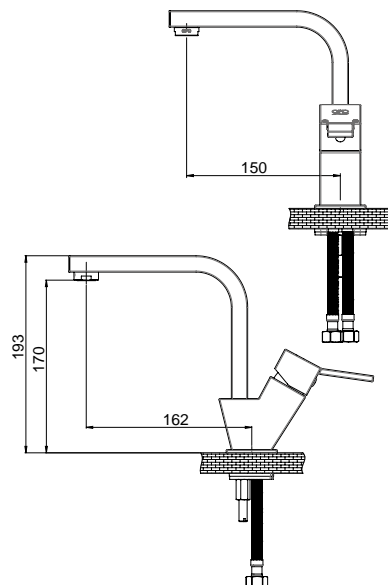


Black Gold

MLB135 - Wash Basin Armature

- Special aerator (Bubble flow, with lime breaker, Flow rate:6lt/min)
- Length of outlet is 115 mm
- Height of outlet is 126 mm
- Measurement of hot & cold water flex hose connection are M10x1-3/8" (or 1/2") 50 cm
- Ideal working pressure is 3-4 Bar
- To prevent any damage which can be caused by the contaminants inside the fittings, filtered interval taps are recommended

Cartridge Diameter : $\varnothing 25$
Surface : Chrome
Qty / Box : 8



FINISHES



Black Gold

MTL135 - Monoblock Wash Basin Armature

- Special water saving aerator (Bubble flow, with lime breaker, Flow rate:6lt/min)
- With swivel spout
- Length of outlet is 150 mm
- Height of outlet is 170 mm
- Measurement of hot & cold water flex hose connection are M10x1-3/8" (or 1/2") 40 cm
- Ideal working pressure is 3-4 Bar
- To prevent any damage which can be caused by the contaminants inside the fittings, filtered interval taps are recommended

Cartridge Diameter : $\varnothing 25$
Surface : Chrome
Qty / Box : 8

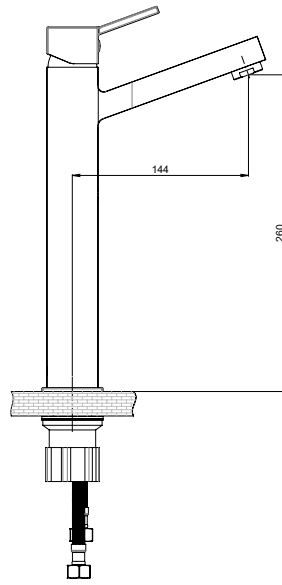


FINISHES



Black

Gold



MSL135 - Over Table Wash Basin Armature

- Special water saving aerator (Bubble flow, with lime breaker, Flow rate:8lt/min)
- Special cartridge heat and flow rate adjustment
- Long height to be used at over table wash basins
- Length of outlet is 144 mm
- Height of outlet is 260 mm
- Measurement of hot & cold water flex hose connection are M10x1-3/8" (or 1/2") 70 cm
- Ideal working pressure is 3-4 Bar
- To prevent any damage which can be caused by the contaminants inside the fittings, filtered interval taps are recommended

Cartridge Diameter : $\varnothing 35$

Surface : Chrome

Qty / Box : 5

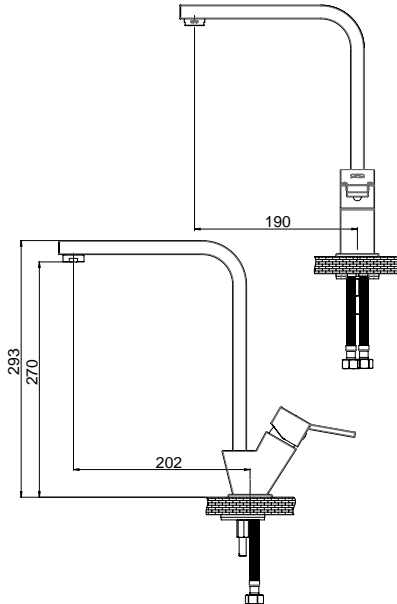


FINISHES



Black

Gold



MTE135 - Monoblock Sink Armature

- Special water saving aerator (Bubble flow, with lime breaker, Flow rate:6lt/min)
- With swivel spout
- Length of outlet is 190 mm
- Height of outlet is 270 mm
- Measurement of hot & cold water flex hose connection are M10x1-3/8" (or 1/2") 40 cm
- Ideal working pressure is 3-4 Bar
- To prevent any damage which can be caused by the contaminants inside the fittings, filtered interval taps are recommended

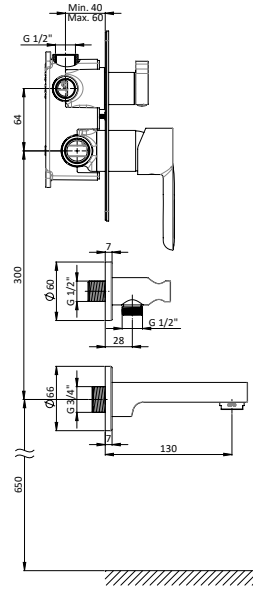
Cartridge Diameter : $\varnothing 25$

Surface : Chrome

Qty / Box : 8



NEW



MCA75 - Concealed Bathroom Armature (with 3 way diverter and a shower outlet)

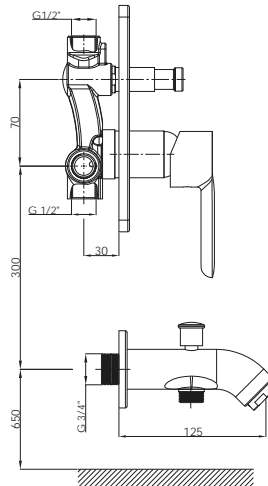
- Special water saving aerator (Bubble flow, with lime breaker, Flow rate:12lt/dk)
- Special cartridge
- 3 way ceramic diverter
- System that can be used with both a built-in shower head, a hand shower and a spout
- Compatible with all concealed shower heads
- With plastic safety cover
- With spirit level to prevent oblique mounting
- Length of outlet is 130 mm
- Hot-Cold water installation connection dimensions 3/4\" (1/2\" can be produced upon request)
- Measurement of outlet connection 3/4\" (can be converted to 1/2\" with special nipple up on request)
- Installation under plaster
- Ideal working pressure is 3-4 Bar
- It is recommended to use filter at the entrance of the flat in order to prevent any pollution that may occur in the installation and damage to the armature

Cartridge Diameter : $\varnothing 35$

Surface : Chrome

Qty / Box : 4

RENEWED



MTA75 - Fully Concealed Bathroom Armature

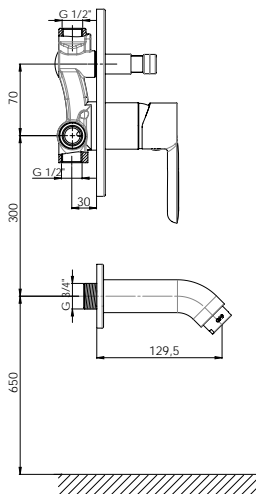
- Special water saving aerator (Bubble flow, with lime breaker, Flow rate:16lt/min)
- Special cartridge
- Compatible with all concealed shower heads and with all handsets
- Length of outlet is 125 mm
- Diverting unit with locking system
- Measurement of outlet connection 3/4\" (can be converted to 1/2\" with special nipple up on request)
- Installation under plaster
- Ideal working pressure is 3-4 Bar
- It is recommended to use filter at the entrance of the flat in order to prevent any pollution that may occur in the installation and damage to the armature
- Plastic safety cover with water level

Cartridge Diameter : $\varnothing 35$

Surface : Chrome

Qty / Box : 4

RENEWED



MAB75 - Concealed Bathroom Armature

- Special water saving aerator (Bubble flow, with lime breaker, Flow rate:16lt/min)
- Special cartridge
- Compatible with all concealed shower heads and with all handsets by using GGR05
- Length of outlet is 129,5 mm
- Measurement of outlet connection 3/4\" (can be converted to 1/2\" with special nipple up on request)
- Installation under plaster
- Ideal working pressure is 3-4 Bar
- It is recommended to use filter at the entrance of the flat in order to prevent any pollution that may occur in the installation and damage to the armature
- Plastic safety cover with water level

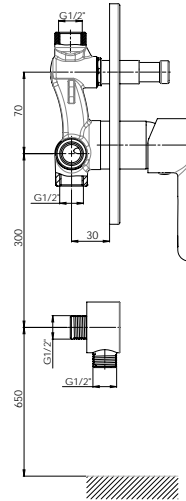
Cartridge Diameter : $\varnothing 35$

Surface : Chrome

Qty / Box : 4



RENEWED



MKB75 - Concealed Cabin Armature

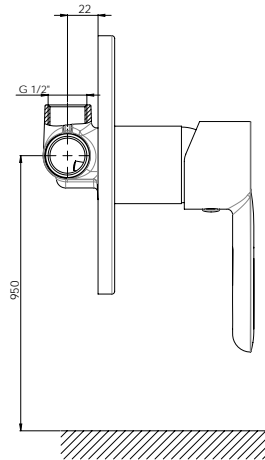
- Special cartridge
- Compatible with all concealed shower heads and with all handsets
- Shower outlet length is 17,5 mm
- Shower outlet wall connection dimension 1/2"
- Shower outlet spiral hose connection dimension 1/2"
- Installation under plaster
- Ideal working pressure is 3-4 Bar
- It is recommended to use filter at the entrance of the flat in order to prevent any pollution that may occur in the installation and damage to the armature
- Plastic safety cover with water level

Cartridge Diameter : $\varnothing 35$

Surface : Chrome

Qty / Box : 4

RENEWED



MAD75 - Concealed Shower Armature

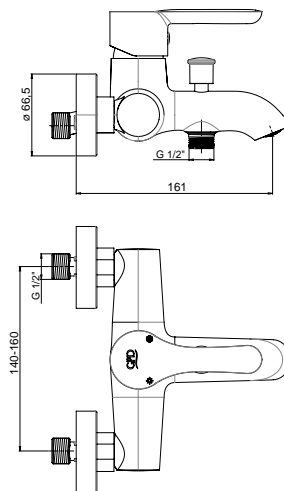
- Special cartridge
- Compatible with all concealed shower heads or with all handsets by using GGR05
- Connection dimension 1/2" (internal thread)
- Installation under plaster
- Ideal working pressure is 3-4 Bar
- It is recommended to use filter at the entrance of the flat in order to prevent any pollution that may occur in the installation and damage to the armature
- Plastic safety cover with water level

Cartridge Diameter : $\varnothing 35$

Surface : Chrome

Qty / Box : 6

MBB75 - Bathroom Armature

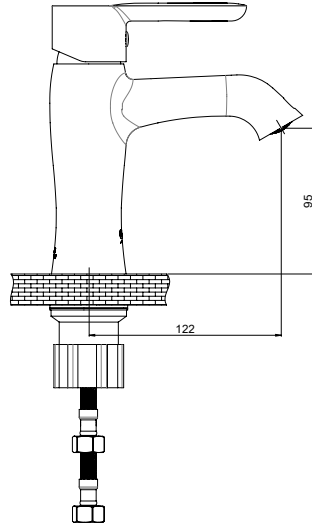


- Cache aerator (Bubble flow, with lime breaker, Flow rate: 16lt/min)
- Special cartridge
- Diverting unit with locking system
- Length of outlet is 161 mm
- Armature connection threads are 3/4"
- Eccentric connection threads are 3/4" - 1/2"
- Spiral hose connection thread 1/2"
- Ideal working pressure is 3-4 Bar
- It is recommended to use filter at the entrance of the flat in order to prevent any pollution that may occur in the installation and damage to the armature

Cartridge Diameter : $\varnothing 35$

Surface : Chrome

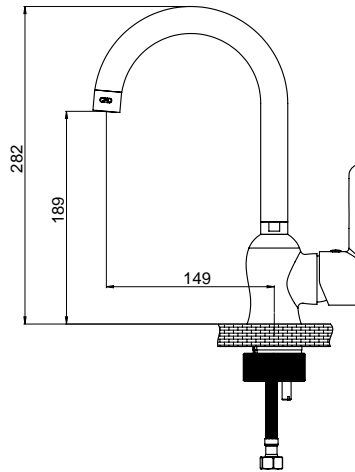
Qty / Box : 4



MLB75 - Wash Basin Armature

- Cache water saving aerator (Bubble flow, with lime breaker, Flow rate:8lt/min)
- Special cartridge
- Length of outlet is 122 mm
- Height of outlet is 95 mm
- Measurement of hot & cold water flex hose connection are M10x1-3/8" (or 1/2") 40 cm
- Ideal working pressure is 3-4 Bar
- To prevent any damage which can be caused by the contaminants inside the fittings, filtered interval taps are recommended

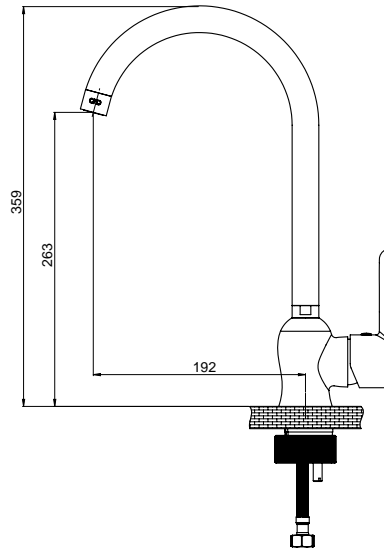
Cartridge Diameter : $\varnothing 35$
Surface : Chrome
Qty / Box : 8



MTL75 - Monoblock Wash Basin Armature

- Special water saving aerator (Bubble flow, with lime breaker, Flow rate:8lt/min)
- Special cartridge
- With swivel spout
- Length of outlet is 149 mm
- Height of outlet is 189 mm
- Measurement of hot & cold water flex hose connection are M10x1-3/8" (or 1/2") 40 cm
- Ideal working pressure is 3-4 Bar
- To prevent any damage which can be caused by the contaminants inside the fittings, filtered interval taps are recommended

Cartridge Diameter : $\varnothing 35$
Surface : Chrome
Qty / Box : 8



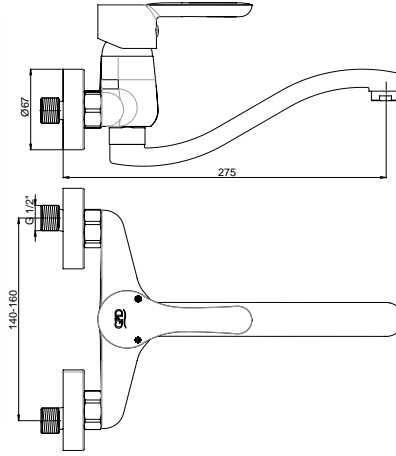
MTE75 - Monoblock Sink Armature

- Special water saving aerator (Bubble flow, with lime breaker, Flow rate:8lt/min)
- Special cartridge
- With swivel spout
- Length of outlet is 192 mm
- Height of outlet is 263 mm
- Measurement of hot & cold water flex hose connection are M10x1-3/8" (or 1/2") 40 cm
- Ideal working pressure is 3-4 Bar
- To prevent any damage which can be caused by the contaminants inside the fittings, filtered interval taps are recommended

Cartridge Diameter : $\varnothing 35$
Surface : Chrome
Qty / Box : 8



MAE75 - Applique Sink Armature



- Special water saving aerator (Bubble flow, with lime breaker, Flow rate: 8lt/min)
- Special cartridge
- With swivel spout
- Length of outlet is 275 mm
- Armature connection threads are 3/4"
- Eccentric connection threads are 3/4" - 1/2"
- Ideal working pressure is 3-4 Bar
- It is recommended to use filter at the entrance of the flat in order to prevent any pollution that may occur in the installation and damage to the armature

Cartridge Diameter : $\varnothing 35$

Surface : Chrome

Qty / Box : 4



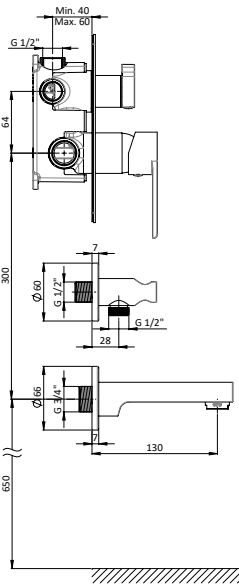
NEW



FINISHES



Black



MCA65 - Concealed Bathroom Armature (with 3 way diverter and a shower outlet)

- Special water saving aerator (Bubble flow, with lime breaker, Flow rate:12lt/dk)
- Special cartridge
- 3 way ceramic diverter
- System that can be used with both a built-in shower head, a hand shower and a spout
- Compatible with all concealed shower heads
- With plastic safety cover
- With spirit level to prevent oblique mounting
- Length of outlet is 130 mm
- Hot-Cold water installation connection dimensions 3/4\" (1/2\" can be produced upon request)
- Measurement of outlet connection 3/4\" (can be converted to 1/2\" with special nipple up on request)
- Installation under plaster
- Ideal working pressure is 3-4 Bar
- It is recommended to use filter at the entrance of the flat in order to prevent any pollution that may occur in the installation and damage to the armature

Cartridge Diameter : $\varnothing 35$

Surface : Chrome

Qty / Box : 4

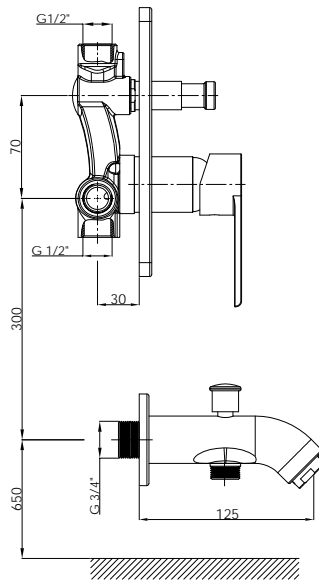
RENEWED



FINISHES



Black



MTA65

MTA65-C

Fully Concealed Bathroom Armature

- Special cartridge
- Cold start cartridge - when the handle is in the middle position, system start with cold water
- Special water saving aerator (Bubble flow, with lime breaker, Flow rate:16lt/min)
- Compatible with all concealed shower heads and with all handsets
- Length of outlet is 125 mm
- Measurement of outlet connection 3/4\" (can be converted to 1/2\" with special nipple up on request)
- Installation under plaster
- Ideal working pressure is 3-4 Bar
- It is recommended to use filter at the entrance of the flat in order to prevent any pollution that may occur in the installation and damage to the armature
- Plastic safety cover with water level

Cartridge Diameter : $\varnothing 35$

Surface : Chrome

Qty / Box : 4

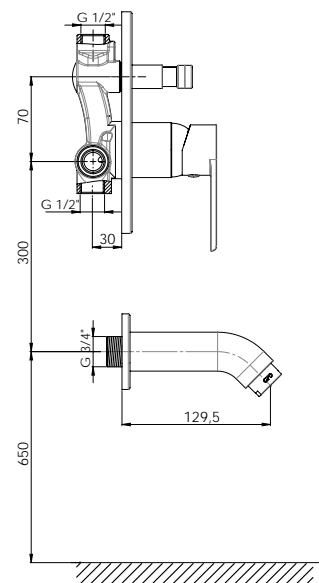
RENEWED



FINISHES



Black



MAB65

MAB65-C

Concealed Bathroom Armature

- Special cartridge
- Cold start cartridge - when the handle is in the middle position, system start with cold water
- Special water saving aerator (Bubble flow, with lime breaker, Flow rate:16lt/min)
- Compatible with all concealed shower heads and with all handsets by using GGR05
- Length of outlet is 129,5 mm
- Measurement of outlet connection 3/4\" (can be converted to 1/2\" with special nipple up on request)
- Installation under plaster
- Ideal working pressure is 3-4 Bar
- It is recommended to use filter at the entrance of the flat in order to prevent any pollution that may occur in the installation and damage to the armature
- Plastic safety cover with water level

Cartridge Diameter : $\varnothing 35$

Surface : Chrome

Qty / Box : 4



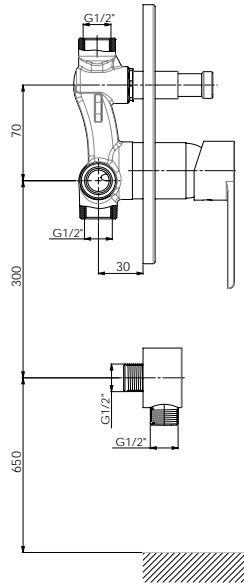
RENEWED



FINISHES



Black



MKB65 MKB65-C Concealed Cabin Armature

- Special cartridge • Cold start cartridge - when the handle is in the middle position, system start with cold water
- Compatible with all concealed shower heads and with all handsets
- Shower outlet length is 17,5 mm
- Shower outlet wall connection dimension 1/2"
- Shower outlet spiral hose connection dimension 1/2"
- Installation under plaster
- Ideal working pressure is 3-4 Bar
- It is recommended to use filter at the entrance of the flat in order to prevent any pollution that may occur in the installation and damage to the armature
- Plastic safety cover with water level

Cartridge Diameter : $\varnothing 35$

Surface : Chrome

Qty / Box : 4

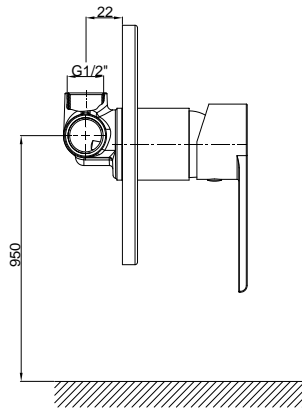
RENEWED



FINISHES



Black



MAD65 MAD65-C Concealed Shower Armature

- Special cartridge • Cold start cartridge - when the handle is in the middle position, system start with cold water
- Compatible with all concealed shower heads or with all handsets by using GGR05
- Connection dimension 1/2" (internal thread)
- Installation under plaster
- Ideal working pressure is 3-4 Bar
- It is recommended to use filter at the entrance of the flat in order to prevent any pollution that may occur in the installation and damage to the armature
- Plastic safety cover with water level

Cartridge Diameter : $\varnothing 35$

Surface : Chrome

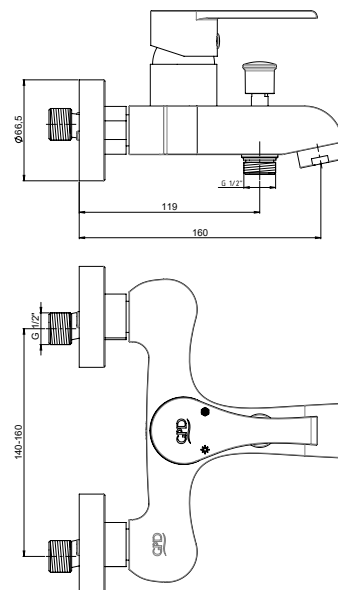
Qty / Box : 6



FINISHES



Black



MBB65 MBB65-C Bathroom Armature

- Special cartridge • Cold start cartridge - when the handle is in the middle position, system start with cold water
- Special water saving aerator (Bubble flow, with lime breaker, Flow rate: 16lt/min)
- Length of outlet is 160 mm
- Armature connection threads are 3/4"
- Eccentric connection threads are 3/4" - 1/2"
- Spiral hose connection thread 1/2"
- Ideal working pressure is 3-4 Bar
- It is recommended to use filter at the entrance of the flat in order to prevent any pollution that may occur in the installation and damage to the armature

Cartridge Diameter : $\varnothing 35$

Surface : Chrome

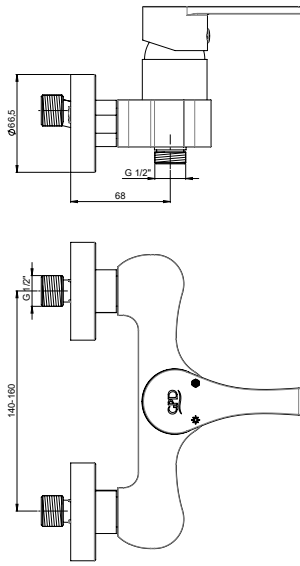
Qty / Box : 4



FINISHES



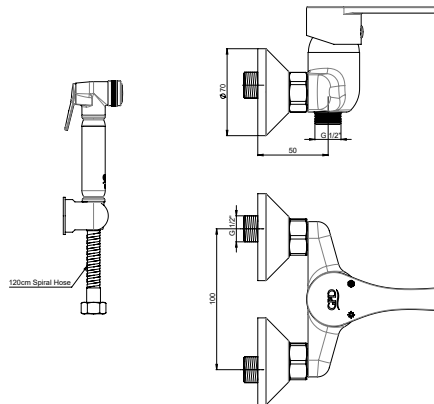
Black



MDB65 MDB65-C Shower Armature

- Special cartridge • Cold start cartridge - when the handle is in the middle position, system start with cold water
- Shower outlet length is 68 mm
- Armature connection threads are 3/4"
- Eccentric connection threads are 3/4" - 1/2"
- Spiral hose connection thread 1/2"
- Ideal working pressure is 3-4 Bar
- It is recommended to use filter at the entrance of the flat in order to prevent any pollution that may occur in the installation and damage to the armature

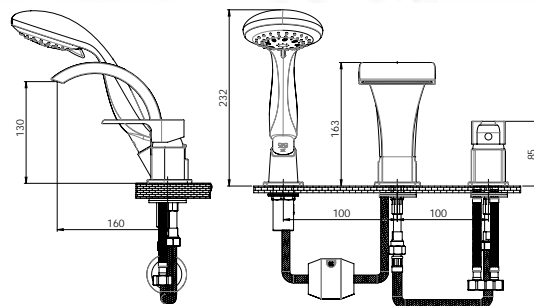
Cartridge Diameter : $\varnothing 35$
 Surface : Chrome
 Qty / Box : 4



MTB65 - Bidet Set with STS01

- Shower outlet length is 50 mm
- Armature connection threads are 3/4"
- Eccentric connection threads are 3/4" - 1/2"
- Spiral hose connection threads are 1/2"
- With spray bidet set (STS01)
- Length of spiral hose : 120 cm
- Ideal working pressure 3-4 bar
- It is recommended to use filter at the entrance of the flat in order to prevent any pollution that may occur in the installation and damage to the armature

Cartridge Diameter : $\varnothing 35$
 Surface : Chrome
 Qty / Box : 6



FINISHES



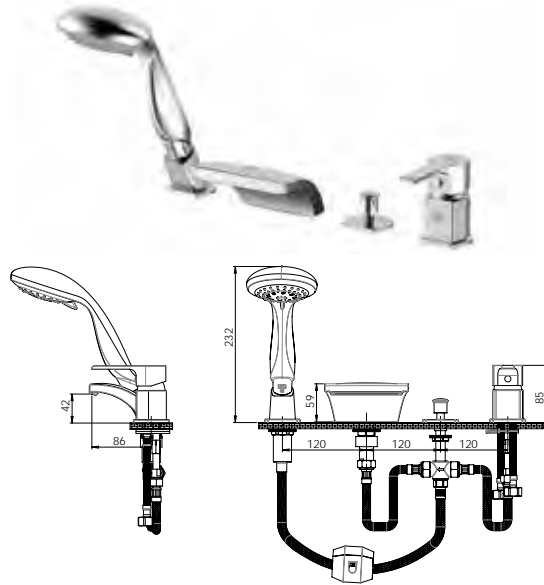
Black

Gold

MAK65 MAK65-C Concealed Bathtub Armature (3 Holes)

- Special cartridge • Cold start cartridge - when the handle is in the middle position, system start with cold water
- Special outlet with waterfall flow
- Width of outlet 100 mm
- Diverter unit to hand shower and to outlet (on the body of outlet)
- Hand shower with 5 functions ($\varnothing 120$)
- Dual-clamp spiral hose 2000 mm
- Length of outlet is 160 mm
- Height of outlet is 130 mm
- Measurement of hot & cold water flex hose connection are M10x1-1/2"
- Ideal working pressure is 3-4 Bar
- It is recommended to use filter at the entrance of the flat in order to prevent any pollution that may occur in the installation and damage to the armature

Cartridge Diameter : $\varnothing 35$
 Surface : Chrome
 Qty / Box : 2



FINISHES



Black Gold

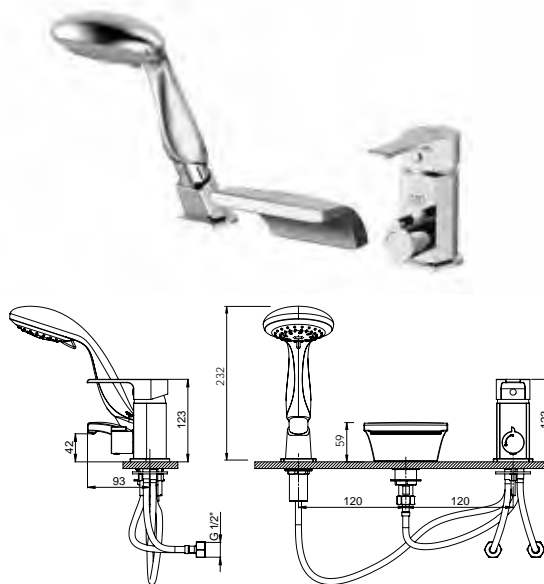
MAK66 MAK66-C
Concealed Bathtub Armature (4 Holes)

- Special cartridge • Cold start cartridge - when the handle is in the middle position, system start with cold water
- Special outlet with waterfall flow
- Width of outlet 120 mm
- Diverter unit to hand shower and to outlet
- Hand shower with 5 functions (ø120)
- Dual-clamp spiral hose 2000 mm
- Length of outlet is 86 mm
- Height of outlet is 42 mm
- Measurement of hot & cold water flex hose connection are M10x1-1/2" 40 cm
- Ideal working pressure is 3-4 Bar
- It is recommended to use filter at the entrance of the flat in order to prevent any pollution that may occur in the installation and damage to the armature

Cartridge Diameter : ø35

Surface : Chrome

Qty / Box : 2



FINISHES



Black Gold

MAK67
Concealed Bathtub Armature (3 Holes)

- Special cartridge
- Special outlet with waterfall flow
- Width of outlet 120 mm
- Diverter unit to hand shower and to outlet (on the body of mixer unit)
- Hand shower with 5 functions
- Dual-clamp spiral hose 2000 mm
- Length of outlet is 93 mm
- Height of outlet is 42 mm
- Measurement of hot & cold water flex hose connection are M8x1-1/2" 40 cm
- Ideal working pressure is 3-4 Bar
- It is recommended to use filter at the entrance of the flat in order to prevent any pollution that may occur in the installation and damage to the armature

Cartridge Diameter : ø40

Surface : Chrome

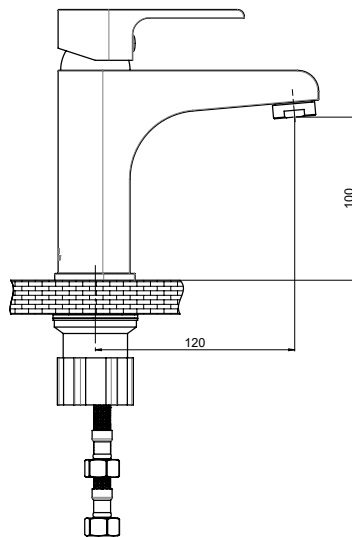
Qty / Box : 2



FINISHES



Black



MLB65 MLB65-C
Wash Basin Armature

- Special cartridge • Cold start cartridge - when the handle is in the middle position, system start with cold water
- Special water saving aerator (Bubble flow, with lime breaker, Flow rate:8lt/min)
- Length of outlet is 120 mm, Height of outlet is 100 mm
- Measurement of hot & cold water flex hose connection are M10x1-3/8" (or 1/2") 40 cm
- Ideal working pressure is 3-4 Bar
- To prevent any damage which can be caused by the contaminants inside the fittings, filtered interval taps are recommended

Cartridge Diameter : ø35

Surface : Chrome

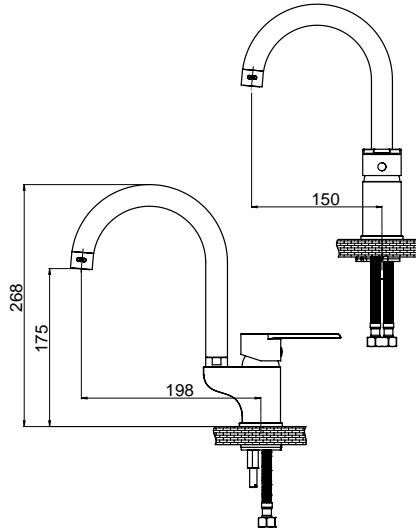
Qty / Box : 8



FINISHES



Black



MTL65 MTL65-C
Monoblock Wash Basin Armature

- Special cartridge • Cold start cartridge - when the handle is in the middle position, system start with cold water
- Special water saving aerator (Bubble flow, with lime breaker, Flow rate:8lt/min)
- With swivel spout
- Length of outlet is 150 mm, Height of outlet is 175 mm
- Measurement of hot & cold water flex hose connection are M10x1-3/8" (or 1/2") 40 cm
- Ideal working pressure is 3-4 Bar
- To prevent any damage which can be caused by the contaminants inside the fittings, filtered interval taps are recommended

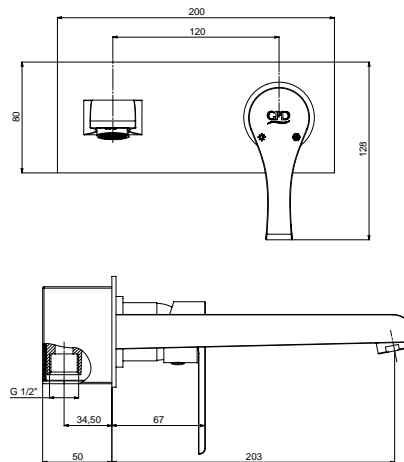
Cartridge Diameter : $\varnothing 35$
Surface : Chrome
Qty / Box : 8



FINISHES



Black



MDA65 MDA65-C
Concealed Wash Basin Armature

- Special cartridge • Cold start cartridge - when the handle is in the middle position, system start with cold water
- Special water saving aerator (Bubble flow, with lime breaker, Flow rate:8lt/min)
- Length of outlet is 203 mm
- Installation is under plaster
- Ideal working pressure is 3-4 Bar
- To prevent any damage which can be caused by the contaminants inside the fittings, a filter at the entrance of the flat is recommended

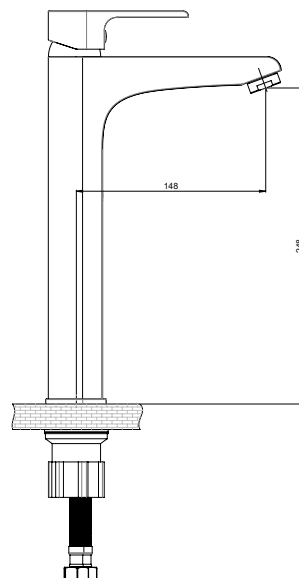
Cartridge Diameter : $\varnothing 35$
Surface : Chrome
Qty / Box : 4



FINISHES



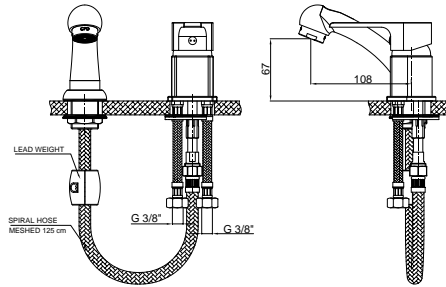
Black



MSL65 MSL65-C
Over Table Wash Basin Armature

- Special water saving aerator (Bubble flow, with lime breaker, Flow rate:8lt/min)
- Special cartridge
- Long height to be used at over table wash basins
- Length of outlet is 148 mm
- Height of outlet is 248 mm
- Measurement of hot & cold water flex hose connection are M10x1-3/8" (or 1/2") 70 cm
- Ideal working pressure is 3-4 Bar
- To prevent any damage which can be caused by the contaminants inside the fittings, filtered interval taps are recommended

Cartridge Diameter : $\varnothing 35$
Surface : Chrome
Qty / Box : 5



MBR65

MBR65-C

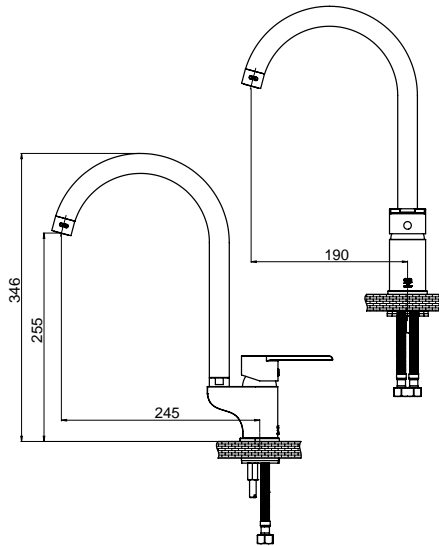
Barber Armature

- Special cartridge • Cold start cartridge - when the handle is in the middle position, system start with cold water
- 28x1 special aerator (Bubble flow)
- 125 cm meshed spiral hose
- Removable ergonomic chrome sliding hand shower
- Measurement of hot & cold water flex hose connection are M10x1-3/8" (or 1/2") 40 cm
- Ideal working pressure is 3-4 Bar
- To prevent any damage which can be caused by the contaminants inside the fittings, filtered interval taps are recommended

Cartridge Diameter : $\varnothing 35$

Surface : Chrome

Qty / Box : 8



MTE65

MTE65-C

Monoblock Sink Armature

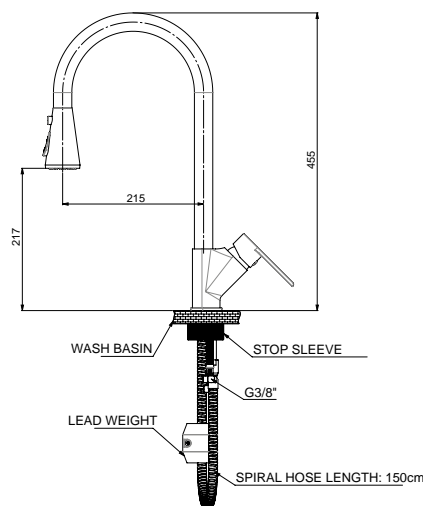
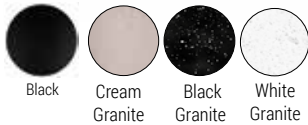
- Special cartridge • Cold start cartridge - when the handle is in the middle position, system start with cold water
- Special water saving aerator (Bubble flow, with lime breaker, Flow rate:8lt/min)
- With swivel spout
- Length of outlet is 190 mm
- Height of outlet is 255 mm
- Measurement of hot & cold water flex hose connection are M10x1-3/8" (or 1/2") 40 cm
- Ideal working pressure is 3-4 Bar
- To prevent any damage which can be caused by the contaminants inside the fittings, filtered interval taps are recommended

Cartridge Diameter : $\varnothing 35$

Surface : Chrome

Qty / Box : 8

FINISHES



MES65

MES65-C

Pull-Out Spray Sink Armature (3 Func.)

- Special cartridge • Cold start cartridge - when the handle is in the middle position, system start with cold water
- Special water saving aerator (Bubble flow, with lime breaker, Flow rate:16lt/min)
- With swivel spout
- Removable hand shower head with 3 functions (Revised) (Straight flow, jet flow, spray flow)
- Through jet flow, during wash dishes and inside the sink cleaning is facilitated by pressurized water
- 150 cm flex hose
- Length of outlet is 215 mm, Height of outlet is 217 mm
- Measurement of hot & cold water flex hose connection are M8x1-3/8" (or 1/2") 50 cm
- Ideal working pressure is 3-4 Bar
- To prevent any damage which can be caused by the contaminants inside the fittings, filtered interval taps are recommended

Cartridge Diameter : $\varnothing 35$

Surface : Chrome

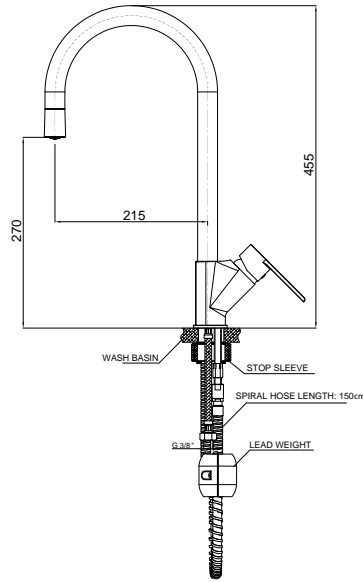
Qty / Box : 5



FINISHES



Black



MES66 Pull-Out Spray Sink Armature (Single Func.)

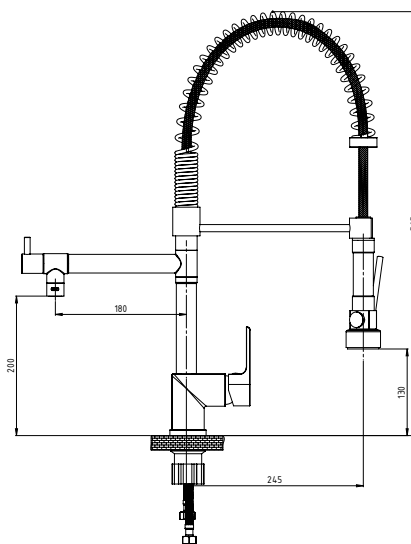
- Special cartridge • Cold start cartridge - when the handle is in the middle position, system start with cold water
- Special water saving aerator (Bubble flow, with lime breaker, Flow rate:16lt/min)
- With swivel spout
- Removable hand shower head with single function
- 150 cm flex hose
- Length of outlet is 215 mm
- Height of outlet is 270 mm
- Measurement of hot & cold water flex hose connection are M8x1-3/8" (or 1/2") 50 cm
- Ideal working pressure is 3-4 Bar
- To prevent any damage which can be caused by the contaminants inside the fittings, filtered interval taps are recommended

Cartridge Diameter : $\varnothing 35$

Surface : Chrome

Qty / Box : 5

NEW



MEE65 - Industrial Sink Armature

- Special aerator (Bubble flow, with lime breaker)
- With swivel spout
- Flexible use with helical spring outlet end pipe
- Hand shower with manual opening/closing
- Diverting unit either for outlet end or hand shower which has locking system
- Length of outlet is 180 mm
- Height of outlet is 200 mm
- Measurements of hot and cold water flex hose connection are M10x1-3/8" (or 1/2") 40cm
- Ideal working pressure is 3-4 Bar
- To prevent any damage which can be caused by the contaminants inside the fittings, filtered interval taps are recommended

Cartridge Diameter : $\varnothing 35$

Surface : Chrome

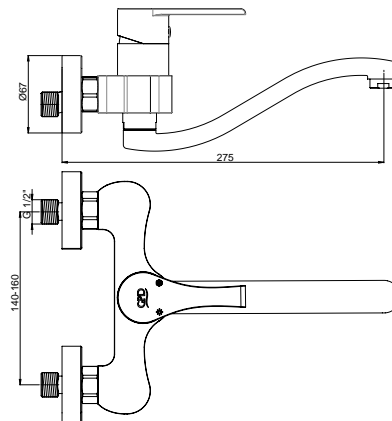
Qty / Box : 5



FINISHES



Black



MAE65 - Applique Sink Armature

- Special water saving aerator (Bubble flow, with lime breaker, flow rate:8lt/min)
- With swivel spout
- Length of outlet is 275 mm
- Armature connection threads are 3/4"
- Eccentric connection threads are 3/4" - 1/2"
- Ideal working pressure is 3-4 Bar
- It is recommended to use filter at the entrance of the flat in order to prevent any pollution that may occur in the installation and damage to the armature

Cartridge Diameter : $\varnothing 35$

Surface : Chrome

Qty / Box : 4

BLACK
GRANITE

ATROS
SERIE



CREAM
GRANITE



WHITE
GRANITE

MTE65 - Monoblock Sink Armature



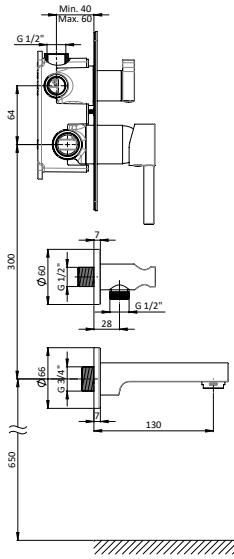
NEW



FINISHES



Black



MCA70 - Concealed Bathroom Armature (with 3 way diverter and a shower outlet)

- Special water saving aerator (Bubble flow, with lime breaker, Flow rate:12lt/dk)
- Special cartridge
- 3 way ceramic diverter
- System that can be used with both a built-in shower head, a hand shower and a spout
- Compatible with all concealed shower heads
- With plastic safety cover
- With spirit level to prevent oblique mounting
- Length of outlet is 130 mm
- Hot-Cold water installation connection dimensions 3/4" (1/2" can be produced upon request)
- Measurement of outlet connection 3/4" (can be converted to 1/2" with special nipple up on request)
- Installation under plaster
- Ideal working pressure is 3-4 Bar
- It is recommended to use filter at the entrance of the flat in order to prevent any pollution that may occur in the installation and damage to the armature

Cartridge Diameter : $\phi 35$

Surface : Chrome

Qty / Box : 4

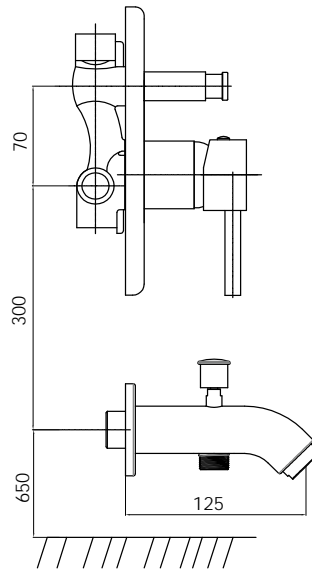
RENEWED



FINISHES



Black



MTA70 - Fully Concealed Bathroom Armature

- Special water saving aerator (Bubble flow, with lime breaker, Flow rate:16lt/min)
- Special cartridge
- Compatible with all concealed shower heads and with all handsets
- Length of outlet is 125 mm
- Diverting unit with locking system
- Measurement of outlet connection 3/4" (can be converted to 1/2" with special nipple up on request)
- Installation under plaster
- Ideal working pressure is 3-4 Bar
- It is recommended to use filter at the entrance of the flat in order to prevent any pollution that may occur in the installation and damage to the armature
- Plastic safety cover with water level

Cartridge Diameter : $\phi 40$

Surface : Chrome

Qty / Box : 4

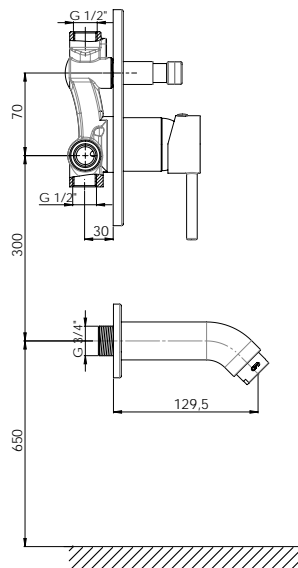
RENEWED



FINISHES



Black



MAB70 - Concealed Bathroom Armature

- Special water saving aerator (Bubble flow, with lime breaker, Flow rate:16lt/min)
- Special cartridge
- Compatible with all concealed shower heads and with all handsets by using GGR05
- Length of outlet is 129,5 mm
- Measurement of outlet connection 3/4" (can be converted to 1/2" with special nipple up on request)
- Installation under plaster
- Ideal working pressure is 3-4 Bar
- It is recommended to use filter at the entrance of the flat in order to prevent any pollution that may occur in the installation and damage to the armature
- Plastic safety cover with water level

Cartridge Diameter : $\phi 40$

Surface : Chrome

Qty / Box : 4



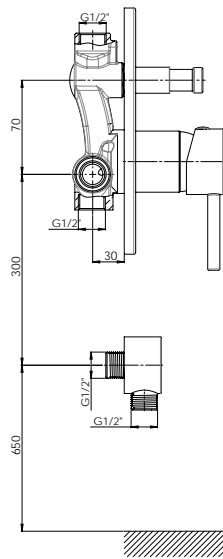
RENEWED



FINISHES



Black



MKB70 - Concealed Cabin Armature

- Special cartridge
- Compatible with all concealed shower heads and with all handsets
- Shower outlet length is 17,5 mm
- Shower outlet wall connection dimension 1/2"
- Installation under plaster
- Ideal working pressure is 3-4 Bar
- It is recommended to use filter at the entrance of the flat in order to prevent any pollution that may occur in the installation and damage to the armature
- Plastic safety cover with water level

Cartridge Diameter : $\varnothing 40$

Surface : Chrome

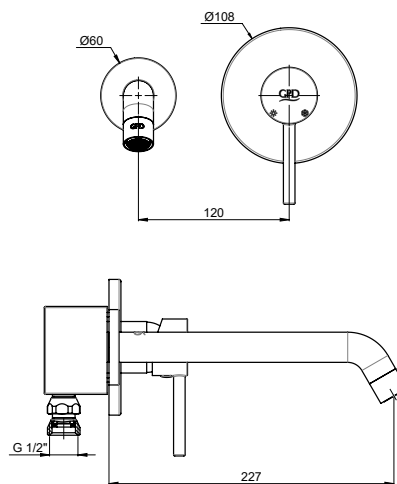
Qty / Box : 4



FINISHES



Black



MDA70 - Concealed Wash Basin Armature

- Special water saving aerator (Bubble flow, with lime breaker, Flow rate:8lt/min)
- Length of outlet is 227 mm
- Installation is under plaster
- Ideal working pressure is 3-4 Bar
- To prevent any damage which can be caused by the contaminants inside the fittings, a filter at the entrance of the flat is recommended

Cartridge Diameter : $\varnothing 35$

Surface : Chrome

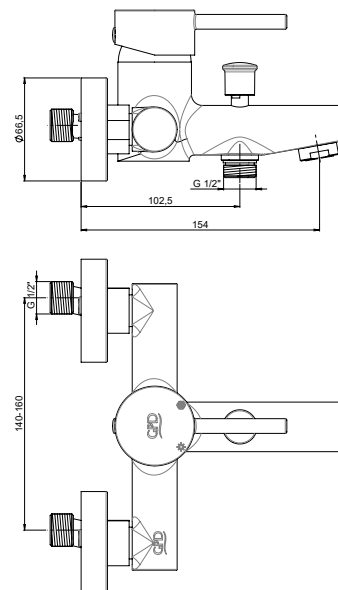
Qty / Box : 4



FINISHES



Black



MBB70 - Bathroom Armature

- Special water saving aerator (Bubble flow, with lime breaker, Flow rate:16lt/min)
- Special cartridge
- Diverting unit with locking system
- Length of outlet is 154 mm
- Armature connection threads are 3/4"
- Eccentric connection threads are 3/4" - 1/2"
- Spiral hose connection thread 1/2"
- Ideal working pressure is 3-4 Bar
- It is recommended to use filter at the entrance of the flat in order to prevent any pollution that may occur in the installation and damage to the armature

Cartridge Diameter : $\varnothing 40$

Surface : Chrome

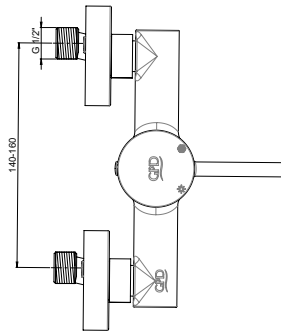
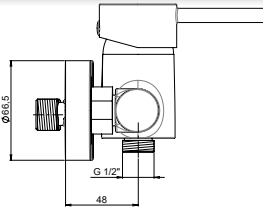
Qty / Box : 4



FINISHES



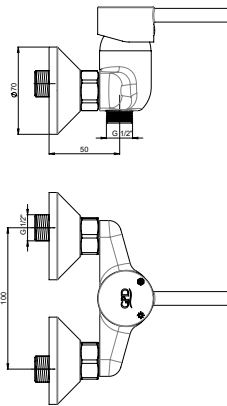
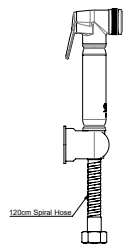
Black



MDB70 - Shower Armature

- Special cartridge
- Shower outlet length is 48 mm
- Armature connection threads are 3/4"
- Eccentric connection threads are 3/4" - 1/2"
- Spiral hose connection thread 1/2"
- Ideal working pressure is 3-4 Bar
- It is recommended to use filter at the entrance of the flat in order to prevent any pollution that may occur in the installation and damage to the armature

Cartridge Diameter : $\varnothing 40$
Surface : Chrome
Qty / Box : 4



MTB70 - Bidet Set with STS01

- Shower outlet length is 50 mm
- Armature connection threads are 3/4"
- Eccentric connection threads are 3/4" - 1/2"
- Spiral hose connection threads are 1/2"
- With spray bidet set (STS01)
- Length of spiral hose : 120 cm
- Ideal working pressure 3-4 bar
- It is recommended to use filter at the entrance of the flat in order to prevent any pollution that may occur in the installation and damage to the armature

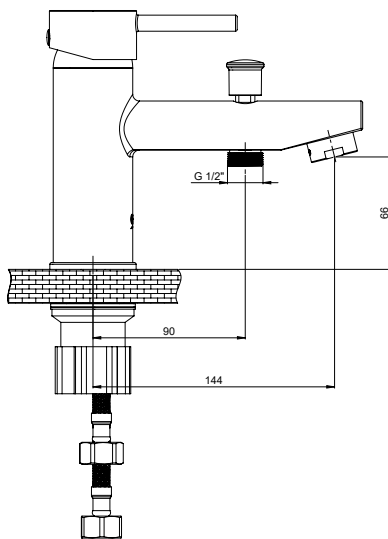
Cartridge Diameter : $\varnothing 35$
Surface : Chrome
Qty / Box : 6



FINISHES



Black



MTK70 - Monoblock Bathtub Armature

- M28x1 special water saving aerator which provides flow with high flow rate (Bubble flow, with lime breaker)
- Special cartridge
- Measurement of hand shower spiral hose connection 1/2"
- Length of outlet is 144 mm
- Height of outlet is 66 mm
- Measurement of hot & cold water flex hose connection are M10x1-1/2" 40 cm
- Ideal working pressure is 3-4 Bar
- To prevent any damage which can be caused by the contaminants inside the fittings, filtered interval taps are recommended

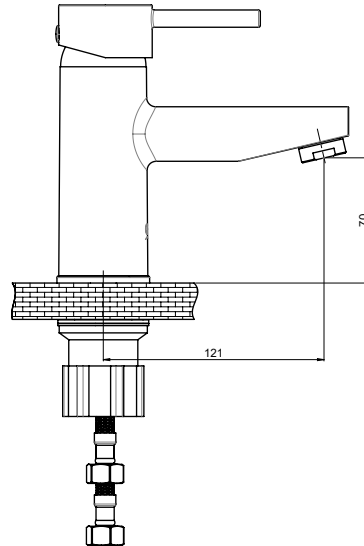
Cartridge Diameter : $\varnothing 40$
Surface : Chrome
Qty / Box : 8



FINISHES



Black



MLB70 - Wash Basin Armature

- Special water saving aerator (Bubble flow, with lime breaker, Flow rate: 8lt/min)
- Special cartridge
- Length of outlet is 121 mm
- Height of outlet is 70 mm
- Measurements of hot and cold water flex hose connection are M10x1-3/8" (or 1/2") 40cm
- Ideal working pressure is 3-4 Bar
- To prevent any damage which can be caused by the contaminants inside the fittings, filtered interval taps are recommended

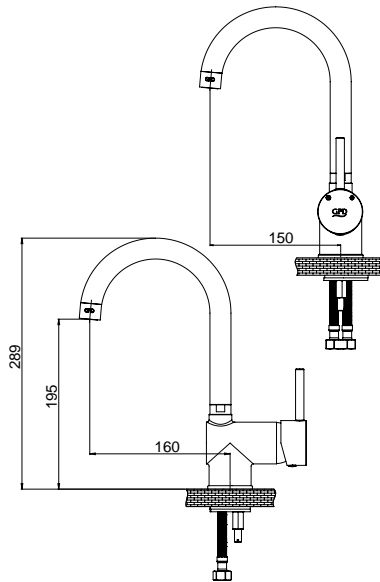
Cartridge Diameter : $\varnothing 40$
 Surface : Chrome
 Qty / Box : 8



FINISHES



Black



MTL70 - Monoblock Wash-Basin Armature

- Special water saving aerator (Bubble flow, with lime breaker, Flow rate: 8lt/min)
- Special cartridge
- With swivel spout
- Length of outlet is 150 mm
- Height of outlet is 195 mm
- Measurements of hot and cold water flex hose connection are M10x1-3/8" (or 1/2") 40cm
- Ideal working pressure is 3-4 Bar
- To prevent any damage which can be caused by the contaminants inside the fittings, filtered interval taps are recommended

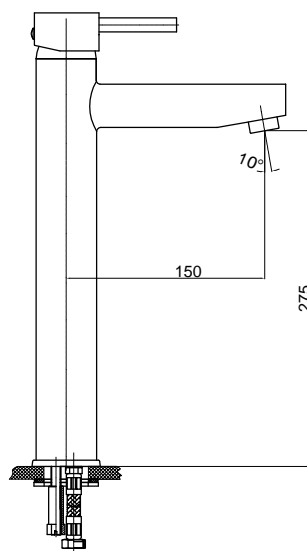
Cartridge Diameter : $\varnothing 40$
 Surface : Chrome
 Qty / Box : 8



FINISHES



Black



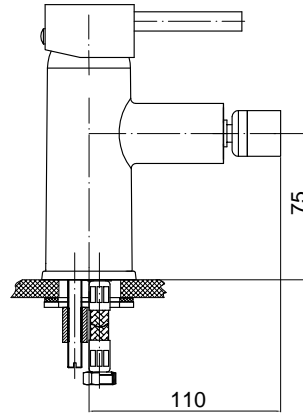
MSL70 - Over Table Wash Basin Armature

- Special water saving aerator (Bubble flow, with lime breaker, Flow rate: 8lt/min)
- Special cartridge
- Long height to be used at over table wash basins
- Length of outlet is 150 mm
- Height of outlet is 275 mm
- Measurements of hot and cold water flex hose connection are M10x1-3/8" (or 1/2") 40cm
- Ideal working pressure is 3-4 Bar
- To prevent any damage which can be caused by the contaminants inside the fittings, filtered interval taps are recommended

Cartridge Diameter : $\varnothing 40$
 Surface : Chrome
 Qty / Box : 5



MBD70 - Bidet Armature



- Special water saving aerator (Bubble flow, with lime breaker, Flow rate: 8lt/min)
- Special cartridge
- Length of outlet is 110 mm
- Height of outlet is 75 mm
- Measurements of hot and cold water flex hose connection are M10x1-3/8" (or 1/2") 40cm
- Ideal working pressure is 3-4 Bar
- To prevent any damage which can be caused by the contaminants inside the fittings, filtered interval taps are recommended

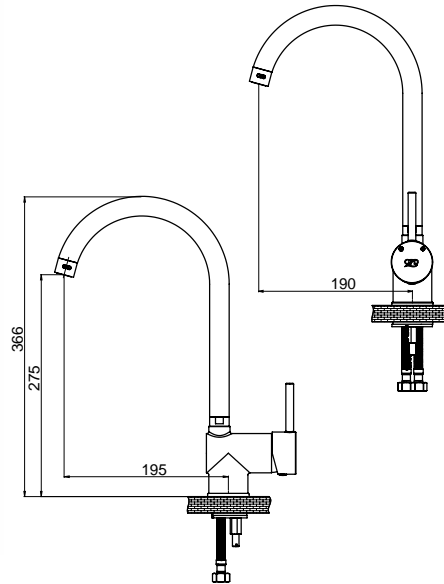
FINISHES



Black

Cartridge Diameter : $\varnothing 40$
Surface : Chrome
Qty / Box : 8

MTE70 - Monoblock Sink Armature



- Special water saving aerator (Bubble flow, with lime breaker, Flow rate: 8lt/min)
- Special cartridge
- With swivel spout
- Length of outlet is 190 mm
- Height of outlet is 275 mm
- Measurements of hot and cold water flex hose connection are M10x1-3/8" (or 1/2") 40cm
- Ideal working pressure is 3-4 Bar
- To prevent any damage which can be caused by the contaminants inside the fittings, filtered interval taps are recommended

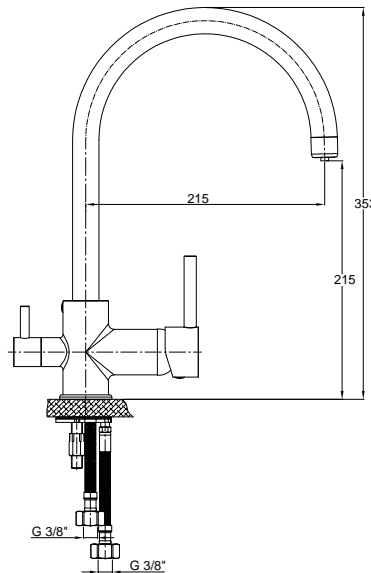
FINISHES



Black

Cartridge Diameter : $\varnothing 40$
Surface : Chrome
Qty / Box : 8

MAR70 - Purification Outlet Sink Armature



- Special aerator preventing the water coming from installation (Bubble flow, with lime breaker, Flow rate: 8lt/min)
- Refinement control 90° ceramic stemmer
- Special cartridge
- With swivel spout
- Length of outlet is 215 mm
- Height of outlet is 215 mm
- Measurements of hot and cold water flex hose connection are M10x1-3/8" (or 1/2") 50cm
- Ideal working pressure is 3-4 Bar
- To prevent any damage which can be caused by the contaminants inside the fittings, filtered interval taps are recommended

FINISHES



Black

Cartridge Diameter : $\varnothing 35$
Surface : Chrome
Qty / Box : 8



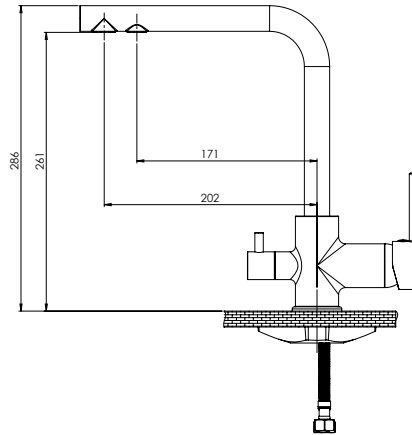
NEW



FINISHES



Black



MAR71 - Purification Sink Armature With Double Aerator

- Separate channel and aerator system to prevent mains water and filtered water from mixing
- Purification control 90°
- Ceramic Stemmer
- Special cartridge
- With Swivel Spout
- Purification outlet outlet end length 171 mm
- Mains outlet outlet end length 202 mm
- Spout height 261 mm
- Hot and cold water flexible hose connection dimensions M10x1-3/8" (or 1/2") 50cm
- Ideal working pressure is 3-4 Bar
- It is recommended to use a filter interval tap with the product in order to prevent any pollution that may occur in the installation from damaging the armature

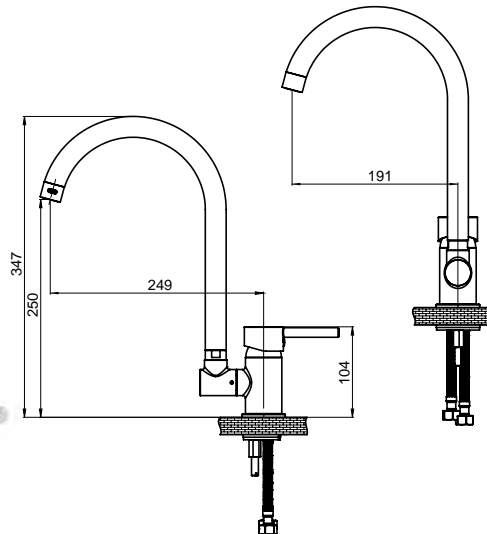
Cartridge Diameter : $\varnothing 35$
 Surface : Chrome
 Qty / Box : 8



FINISHES



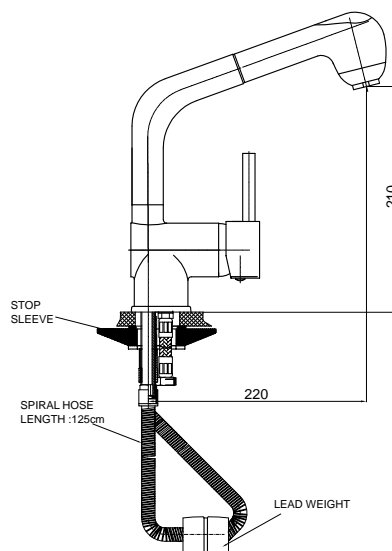
Black



MPN70 - Sink Armature Front of Window

- Special water saving aerator (Bubble flow, with lime breaker, Flow rate: 8lt/min)
- Special cartridge
- Suits for in front of window openings with adjustable and rotating spout by using hands
- Length of outlet is 191 mm
- Height of outlet is 250 mm
- Measurements of hot and cold water flex hose connection are M10x1-3/8" (or 1/2") 40cm
- Ideal working pressure is 3-4 Bar
- To prevent any damage which can be caused by the contaminants inside the fittings, filtered interval taps are recommended

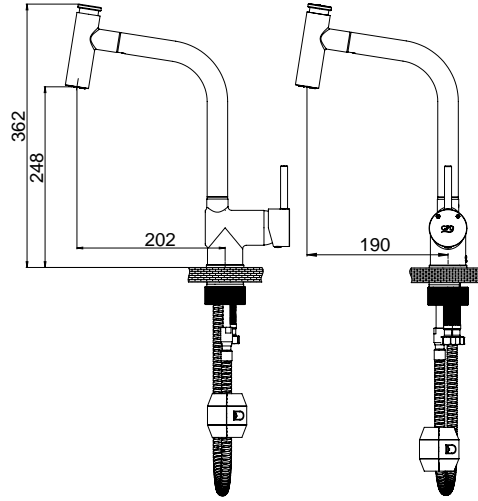
Cartridge Diameter : $\varnothing 35$
 Surface : Chrome
 Qty / Box : 8



MES70 - Pull-Out Spray Sink Armature

- Special water saving aerator (Bubble flow, with lime breaker, Flow rate: 8lt/min)
- Special cartridge
- With swivel spout
- Removable hand shower head with 2 functions (rain, straight flow)
- Length of outlet is 220 mm
- Height of outlet is 210 mm
- 125 cm helical hose (brass)
- Measurements of hot and cold water flex hose connection are M10x1-3/8" (or 1/2") 40cm
- Ideal working pressure is 3-4 Bar
- To prevent any damage which can be caused by the contaminants inside the fittings, filtered interval taps are recommended

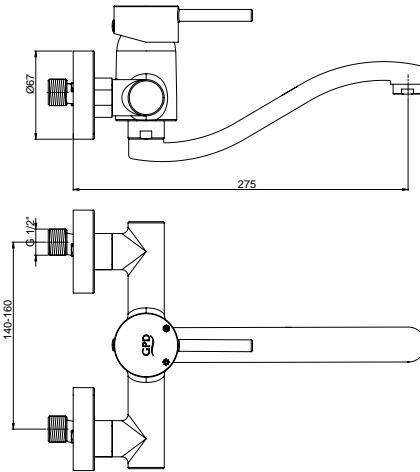
Cartridge Diameter : $\varnothing 40$
 Surface : Chrome
 Qty / Box : 8



MES71 - Pull-Out Spray Sink Armature

- Special water saving aerator (Bubble flow, with lime breaker, Flow rate: 8lt/min)
- Special cartridge
- With swivel spout
- Removable hand shower head with 2 functions (rain, straight flow)
- Length of outlet is 190 mm
- Height of outlet is 248 mm
- 150 cm flex hose
- Measurements of hot and cold water flex hose connection are M10x1-3/8" (or 1/2") 40cm
- Ideal working pressure is 3-4 Bar
- To prevent any damage which can be caused by the contaminants inside the fittings, filtered interval taps are recommended

Cartridge Diameter : $\phi 40$
 Surface : Chrome
 Qty / Box : 8



MAE70 - Applique Sink Armature

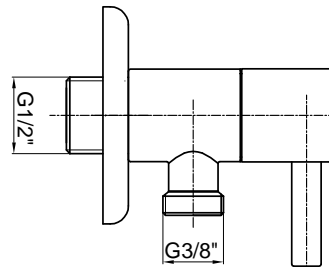
- Special water saving aerator (Bubble flow, with lime breaker, Flow rate:16lt/min)
- Special cartridge
- With swivel spout
- Length of outlet is 275 mm
- Armature connection threads are 3/4"
- Eccentric connection threads are 3/4" - 1/2"
- Spiral hose connection thread 1/2"
- Ideal working pressure is 3-4 Bar
- It is recommended to use filter at the entrance of the flat in order to prevent any pollution that may occur in the installation and damage to the armature

Cartridge Diameter : $\phi 40$
 Surface : Chrome
 Qty / Box : 4

FINISHES



Black



TMS70 - Interval Tap

- 90° ceramic stemmer with turning on/off angle
- Rosette diameter is $\phi 60$ mm
- Suitable size for 3/8" connection
- Tap-wall connection size is 1/2"

TMS70-2 - Interval Tap

- 90° ceramic stemmer with turning on/off angle
- Rosette diameter is $\phi 60$ mm
- Suitable size for 1/2" connection
- Tap-wall connection size is 1/2"

FINISHES



Black

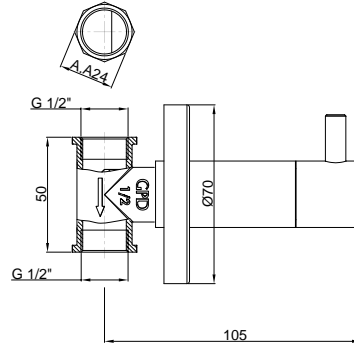


Gold

Surface : Chrome
 Qty / Box : 50



AAK70 - Concealed Interval Stop Valve



- 90° ceramic stemmer
- Rosette diameter is $\varnothing 70$ mm
- Block under plaster
- Tap-wall connection size is 1/2"
- It can be used as interval tap on Hand closets with concealed interval pipes

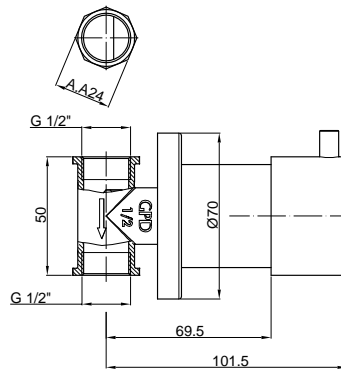
FINISHES



Black Gold

Surface : Chrome
Qty / Box : 15

AAK71 - Concealed Interval Stop Valve 1/2"



- 90° ceramic stemmer
- Rosette diameter is $\varnothing 70$ mm
- Flywheel diameter $\varnothing 50$ mm
- Block under plaster
- Tap-wall connection size is 1/2"
- It can be used as interval tap on Hand closets with concealed interval pipes

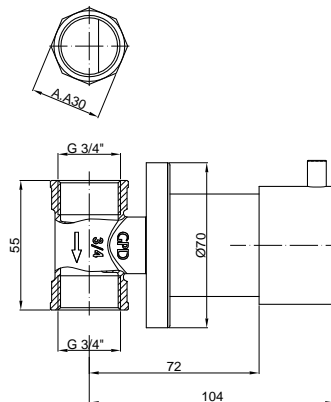
FINISHES



Black Gold

Surface : Chrome
Qty / Box : 15

AAK72 - Concealed Interval Stop Valve 3/4"



- 90° ceramic stemmer
- Rosette diameter is $\varnothing 70$ mm
- Flywheel diameter $\varnothing 50$ mm
- Block under plaster
- Tap-wall connection size is 3/4"
- It can be used as interval tap on Hand closets with concealed interval pipes

FINISHES



Black Gold

Surface : Chrome
Qty / Box : 15



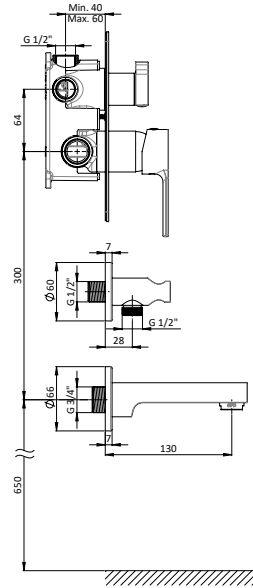
NEW



FINISHES



Black



MCA55 - Concealed Bathroom Armature (with 3 way diverter and a shower outlet)

- Special water saving aerator (Bubble flow, with lime breaker, Flow rate:12lt/dk)
- Special cartridge
- 3 way ceramic diverter
- System that can be used with both a built-in shower head, a hand shower and a spout
- Compatible with all concealed shower heads
- With plastic safety cover
- With spirit level to prevent oblique mounting
- Length of outlet is 130 mm
- Hot-Cold water installation connection dimensions 3/4" (1/2" can be produced upon request)
- Measurement of outlet connection 3/4" (can be converted to 1/2" with special nipple up on request)
- Installation under plaster
- Ideal working pressure is 3-4 Bar
- It is recommended to use filter at the entrance of the flat in order to prevent any pollution that may occur in the installation and damage to the armature

Cartridge Diameter : ø35

Surface : Chrome

Qty / Box : 4

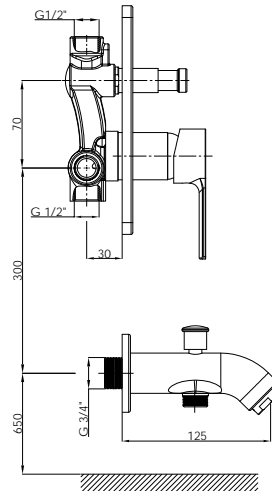
RENEWED



FINISHES



Black



MTA55 - Fully Concealed Bathroom Armature

- Special water saving aerator (Bubble flow, with lime breaker, Flow rate:16lt/min)
- Special cartridge
- Compatible with all concealed shower heads and with all handsets
- Length of outlet is 125 mm
- Diverting unit with locking system
- Measurement of outlet connection 3/4" (can be converted to 1/2" with special nipple up on request)
- Installation under plaster
- Ideal working pressure is 3-4 Bar
- It is recommended to use filter at the entrance of the flat in order to prevent any pollution that may occur in the installation and damage to the armature
- Plastic safety cover with water level

Cartridge Diameter : ø35

Surface : Chrome

Qty / Box : 4

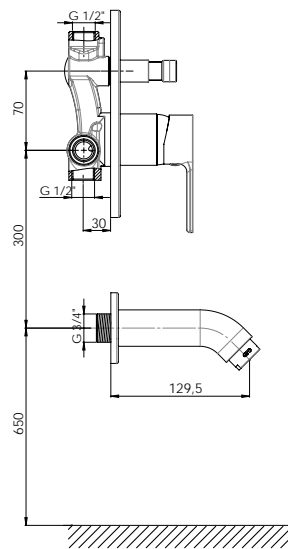
RENEWED



FINISHES



Black



MAB55 - Concealed Bathroom Armature

- Special water saving aerator (Bubble flow, with lime breaker, Flow rate:16lt/min)
- Special cartridge
- Compatible with all concealed shower heads and with all handsets by using GGR05
- Length of outlet is 129,5 mm
- Measurement of outlet connection 3/4" (can be converted to 1/2" with special nipple up on request)
- Installation under plaster
- Ideal working pressure is 3-4 Bar
- It is recommended to use filter at the entrance of the flat in order to prevent any pollution that may occur in the installation and damage to the armature
- Plastic safety cover with water level

Cartridge Diameter : ø35

Surface : Chrome

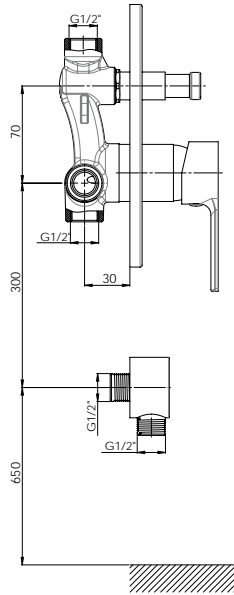
Qty / Box : 4



RENEWED



FINISHES



MKB55 - Concealed Cabin Armature

- Special cartridge
- Compatible with all concealed shower heads and with all handsets
- Shower outlet length is 17,5 mm
- Shower outlet wall connection dimension 1/2"
- Shower outlet spiral hose connection dimension 1/2"
- Installation under plaster
- Ideal working pressure is 3-4 Bar
- It is recommended to use filter at the entrance of the flat in order to prevent any pollution that may occur in the installation and damage to the armature
- Plastic safety cover with water level

Cartridge Diameter : $\varnothing 35$

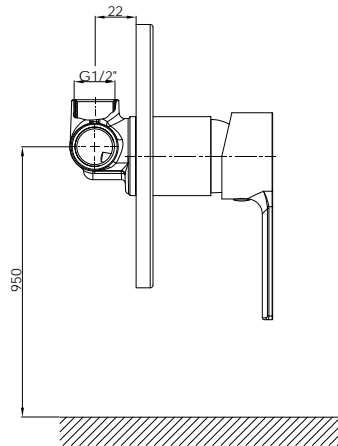
Surface : Chrome

Qty / Box : 4

RENEWED



FINISHES



MAD55 - Concealed Shower Armature

- Special cartridge
- Compatible with all concealed shower heads or with all handsets by using GGR05
- Connection dimension 1/2" (internal thread)
- Installation under plaster
- Ideal working pressure is 3-4 Bar
- It is recommended to use filter at the entrance of the flat in order to prevent any pollution that may occur in the installation and damage to the armature
- Plastic safety cover with water level

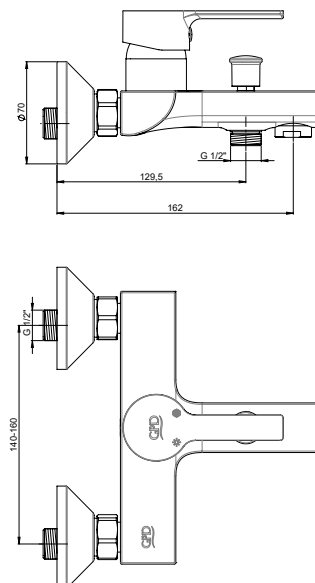
Cartridge Diameter : $\varnothing 35$

Surface : Chrome

Qty / Box : 6



FINISHES



MBB55 - Bathroom Armature

- Special water saving aerator (Bubble flow, with lime breaker, Flow rate:16lt/min)
- Special cartridge
- Length of outlet is 162 mm
- Armature connection threads are 3/4"
- Eccentric connection threads are 3/4" - 1/2"
- Spiral hose connection thread 1/2"
- Ideal working pressure is 3-4 Bar
- It is recommended to use filter at the entrance of the flat in order to prevent any pollution that may occur in the installation and damage to the armature

Cartridge Diameter : $\varnothing 35$

Surface : Chrome

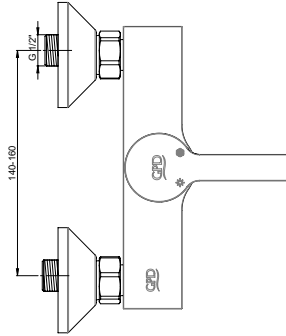
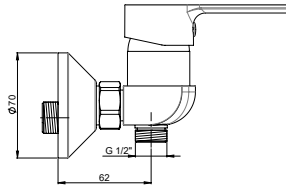
Qty / Box : 6



FINISHES



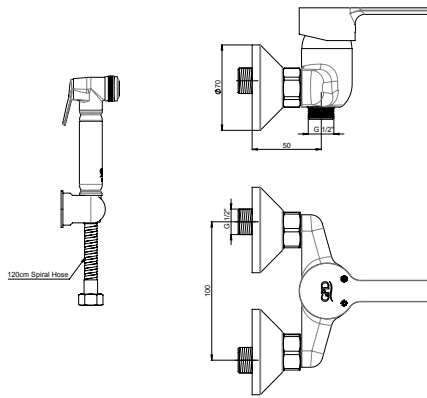
Black



MDB55 - Shower Armature

- Special cartridge
- Shower outlet length is 62 mm
- Armature connection threads are 3/4"
- Eccentric connection threads are 3/4" - 1/2"
- Spiral hose connection thread 1/2"
- Ideal working pressure is 3-4 Bar
- It is recommended to use filter at the entrance of the flat in order to prevent any pollution that may occur in the installation and damage to the armature

Cartridge Diameter : $\phi 35$
Surface : Chrome
Qty / Box : 6



MTB55 - Bidet Set with STS01

- Shower outlet length is 50 mm
- Armature connection threads are 3/4"
- Eccentric connection threads are 3/4" - 1/2"
- Spiral hose connection threads are 1/2"
- With spray bidet set (STS01)
- Length of spiral hose : 120 cm
- Ideal working pressure 3-4 bar
- It is recommended to use filter at the entrance of the flat in order to prevent any pollution that may occur in the installation and damage to the armature

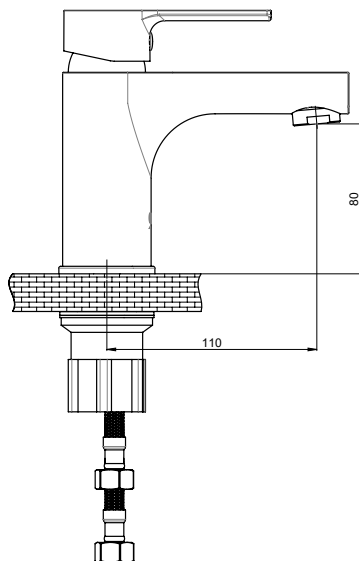
Cartridge Diameter : $\phi 35$
Surface : Chrome
Qty / Box : 6



FINISHES



Black



MLB55 - Wash Basin Armature

- Special water saving aerator (Bubble flow, with lime breaker, Flow rate: 8lt/min)
- Special cartridge
- Length of outlet is 110 mm
- Height of outlet is 80 mm
- Measurements of hot and cold water flex hose connection are M10x1-3/8" (or 1/2") 40cm
- Ideal working pressure is 3-4 Bar
- To prevent any damage which can be caused by the contaminants inside the fittings, filtered interval taps are recommended

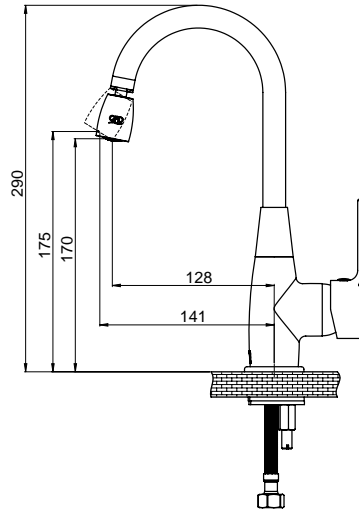
Cartridge Diameter : $\phi 35$
Surface : Chrome
Qty / Box : 8



FINISHES



Black



MTL55 - Monoblock Wash-Basin Armature

- Special water saving aerator (Bubble flow, with lime breaker, Flow rate: 8lt/min)
- Special cartridge
- With swivel spout
- Length of outlet is 128 mm - 141 mm
- Height of outlet is 170 mm - 175 mm
- Measurements of hot and cold water flex hose connection are M10x1-3/8" (or 1/2") 40cm
- Ideal working pressure is 3-4 Bar
- To prevent any damage which can be caused by the contaminants inside the fittings, filtered interval taps are recommended

Cartridge Diameter : $\varnothing 35$

Surface : Chrome

Qty / Box : 8

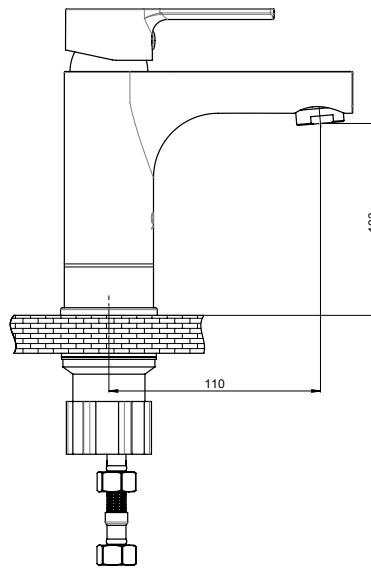
NEW



FINISHES



Black



MLB56 - Wash-Basin Armature with Adding Part

- Special water saving aerator (Bubble flow, with lime breaker, Flow rate: 8lt/min)
- Special cartridge
- Length of outlet is 110 mm
- Height of outlet is 103 mm
- Measurements of hot and cold water flex hose connection are M10x1-3/8" (or 1/2") 40cm
- Ideal working pressure is 3-4 Bar
- To prevent any damage which can be caused by the contaminants inside the fittings, filtered interval taps are recommended

Cartridge Diameter : $\varnothing 35$

Surface : Chrome

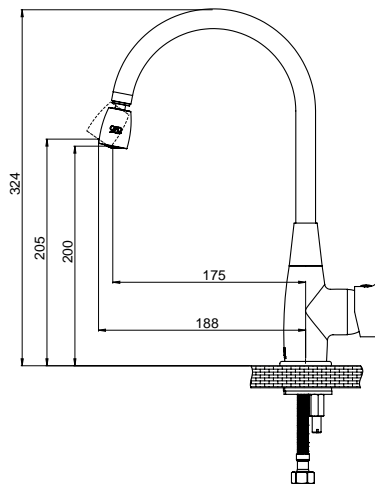
Qty / Box : 8



FINISHES



Black



MTE55 - Monoblock Sink Armature

- Special water saving aerator (Bubble flow, with lime breaker, Flow rate: 8lt/min)
- Special cartridge
- With swivel spout
- Length of outlet is 175 mm - 188 mm
- Height of outlet is 200 mm - 205 mm
- Measurements of hot and cold water flex hose connection are M10x1-3/8" (or 1/2") 40cm
- Ideal working pressure is 3-4 Bar
- To prevent any damage which can be caused by the contaminants inside the fittings, filtered interval taps are recommended

Cartridge Diameter : $\varnothing 35$

Surface : Chrome

Qty / Box : 8



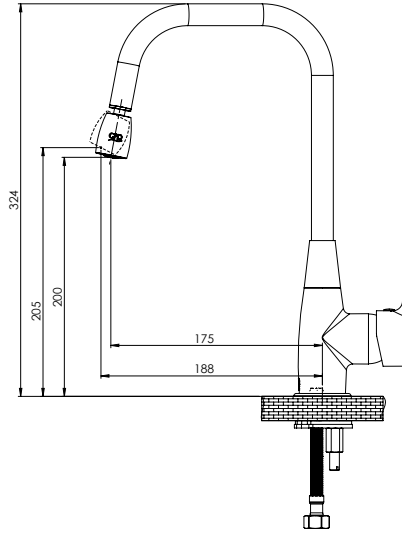
NEW



FINISHES



Black



MTE56 - Swivel Sink Armature with L Spout

- Articulated, water-saving special aerator (Foam flow, lime breaker, flow rate value:8lt/min)
 - Special cartridge
 - With Swivel Spout
 - Movable head outlet end
 - Spout length 175 mm - 188 mm
 - Spout height 200 mm - 205 mm
 - Hot and cold water flexible hose connection dimensions M10x1-3/8" (or 1/2") 40cm
 - Ideal working pressure is 3-4 Bar
- It is recommended to use a filter interval tap with the product in order to prevent any pollution that may occur in the installation from damaging the armature

Cartridge Diameter : $\varnothing 35$

Surface : Chrome

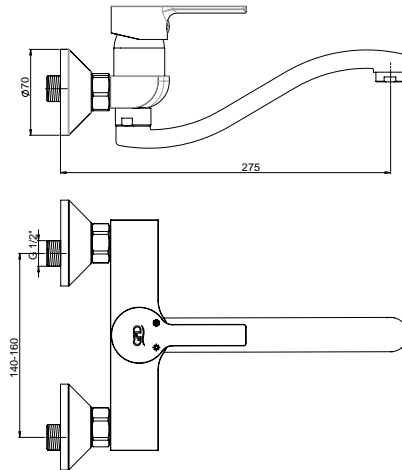
Qty / Box : 8



FINISHES



Black



MAE55 - Applique Sink Armature

- Special water saving aerator (Bubble flow, with lime breaker, flow rate:8lt/min)
 - Special cartridge
 - With swivel spout
 - Length of outlet is 275 mm
 - Armature connection threads are 3/4"
 - Eccentric connection threads are 3/4" - 1/2"
 - Ideal working pressure is 3-4 Bar
- It is recommended to use filter at the entrance of the flat in order to prevent any pollution that may occur in the installation and damage to the armature

Cartridge Diameter : $\varnothing 35$

Surface : Chrome

Qty / Box : 4

GILDO



Different colour coating options

Esthetic hand design



CHROME-ROSE GOLD


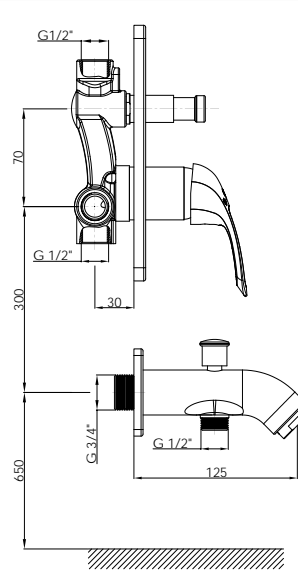

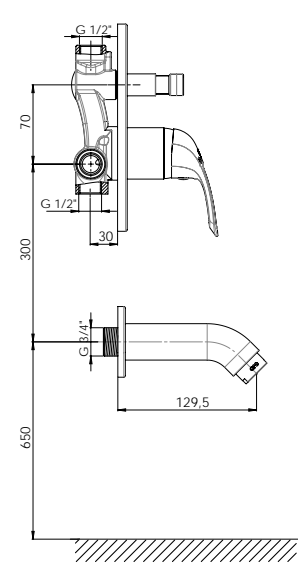

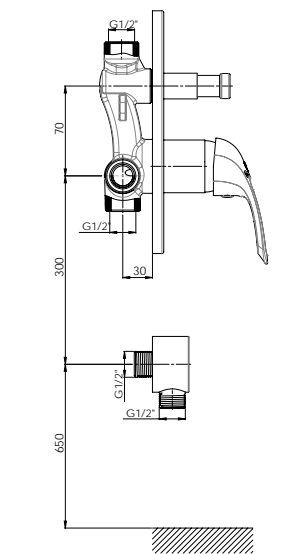
CHROME-BLACK

BLACK

BLACK-ROSE GOLD

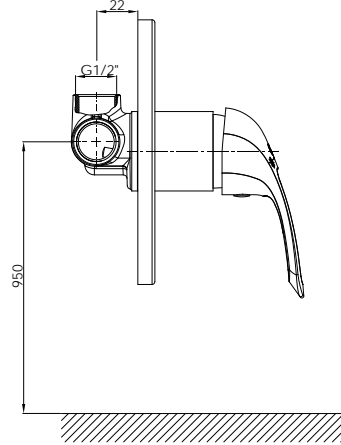
MTE165 - Monoblock Sink Armature



<p>RENEWED</p>  <p>FINISHES</p> <p>Black</p>		<p>MTA120 - Fully Concealed Bathroom Armature</p> <ul style="list-style-type: none"> • Special water saving aerator (Bubble flow, with lime breaker, Flow rate:16lt/min) • Special cartridge • Compatible with all concealed shower heads and with all handsets • Length of outlet is 125 mm • Diverting unit with locking system • Measurement of outlet connection 3/4" (can be converted to 1/2" with special nipple up on request) • Installation under plaster • Ideal working pressure is 3-4 Bar • It is recommended to use filter at the entrance of the flat in order to prevent any pollution that may occur in the installation and damage to the armature • Plastic safety cover with water level <p>Cartridge Diameter : ø35 Surface : Chrome Qty / Box : 4</p>
<p>RENEWED</p>  <p>FINISHES</p> <p>Black</p>		<p>MAB120 - Concealed Bathroom Armature</p> <ul style="list-style-type: none"> • Special water saving aerator (Bubble flow, with lime breaker, Flow rate:16lt/min) • Special cartridge • Compatible with all concealed shower heads and with all handsets by using GGR05 • Length of outlet is 129,5 mm • Measurement of outlet connection 3/4" (can be converted to 1/2" with special nipple up on request) • Installation under plaster • Ideal working pressure is 3-4 Bar • It is recommended to use filter at the entrance of the flat in order to prevent any pollution that may occur in the installation and damage to the armature • Plastic safety cover with water level <p>Cartridge Diameter : ø35 Surface : Chrome Qty / Box : 4</p>
<p>RENEWED</p>  <p>FINISHES</p> <p>Black</p>		<p>MKB120 - Concealed Cabin Armature</p> <ul style="list-style-type: none"> • Special cartridge • Compatible with all concealed shower heads and with all handsets • Shower outlet length is 17,5 mm • Shower outlet wall connection dimension 1/2" • Shower outlet spiral hose connection dimension 1/2" • Installation under plaster • Ideal working pressure is 3-4 Bar • It is recommended to use filter at the entrance of the flat in order to prevent any pollution that may occur in the installation and damage to the armature • Plastic safety cover with water level <p>Cartridge Diameter : ø35 Surface : Chrome Qty / Box : 4</p>



RENEWED



FINISHES



Black

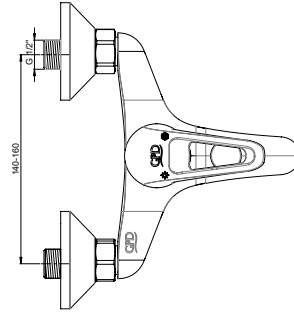
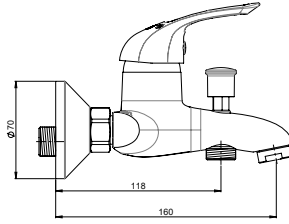
MAD120 - Concealed Shower Armature

- Special cartridge
- Compatible with all concealed shower heads or with all handsets by using GGR05
- Connection dimension 1/2" (internal thread)
- Installation under plaster
- Ideal working pressure is 3-4 Bar
- It is recommended to use filter at the entrance of the flat in order to prevent any pollution that may occur in the installation and damage to the armature
- Plastic safety cover with water level

Cartridge Diameter : $\varnothing 35$

Surface : Chrome

Qty / Box : 6



FINISHES



Black

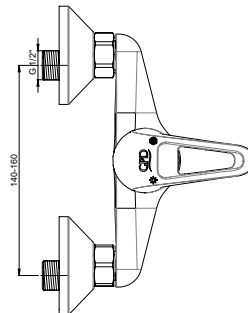
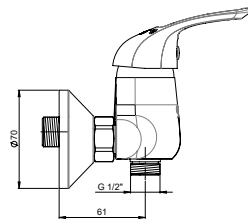
MBB120 - Bathroom Armature

- Special water saving aerator (Bubble flow, with lime breaker, Flow rate: 16lt/min)
- Length of outlet is 160 mm
- Armature connection threads are 3/4"
- Eccentric connection threads are 3/4" - 1/2"
- Spiral hose connection thread 1/2"
- Ideal working pressure is 3-4 Bar
- It is recommended to use filter at the entrance of the flat in order to prevent any pollution that may occur in the installation and damage to the armature

Cartridge Diameter : $\varnothing 35$

Surface : Chrome

Qty / Box : 6



FINISHES



Black

MDB120 - Shower Armature

- Shower outlet length is 61 mm
- Armature connection threads are 3/4"
- Eccentric connection threads are 3/4" - 1/2"
- Spiral hose connection thread 1/2"
- Ideal working pressure is 3-4 Bar
- It is recommended to use filter at the entrance of the flat in order to prevent any pollution that may occur in the installation and damage to the armature

Cartridge Diameter : $\varnothing 35$

Surface : Chrome

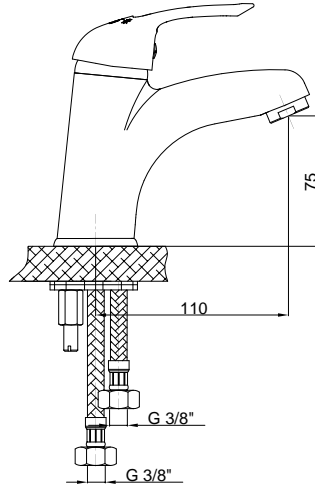
Qty / Box : 6



FINISHES



Black



MLB120 - Wash Basin Armature

- Special water saving aerator (Bubble flow, with lime breaker, Flow rate: 8lt/min)
- Length of outlet is 110 mm
- Height of outlet is 75 mm
- Measurements of hot and cold water flex hose connection are M10x1-3/8" (or 1/2") 40cm
- Ideal working pressure is 3-4 Bar
- To prevent any damage which can be caused by the contaminants inside the fittings, filtered interval taps are recommended

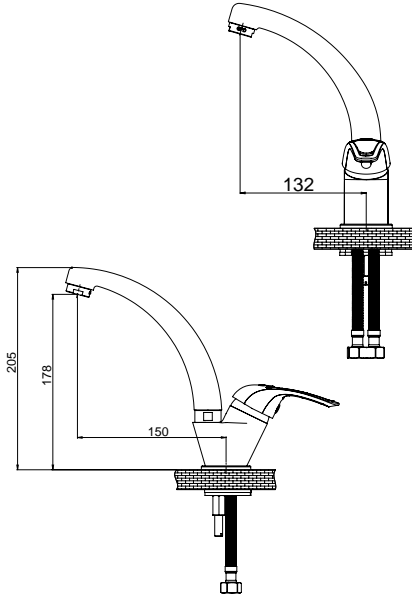
Cartridge Diameter : $\varnothing 35$
Surface : Chrome
Qty / Box : 12



FINISHES



Black



MTL120 - Monoblock Wash Basin Armature

- Special water saving aerator (Bubble flow, with lime breaker, Flow rate: 8lt/min)
- With swivel spout
- Length of outlet is 132 mm
- Height of outlet is 178 mm
- Measurement of hot & cold water flex hose connection are M10x1-3/8" (or 1/2") 40 cm
- Ideal working pressure is 3-4 Bar
- To prevent any damage which can be caused by the contaminants inside the fittings, filtered interval taps are recommended

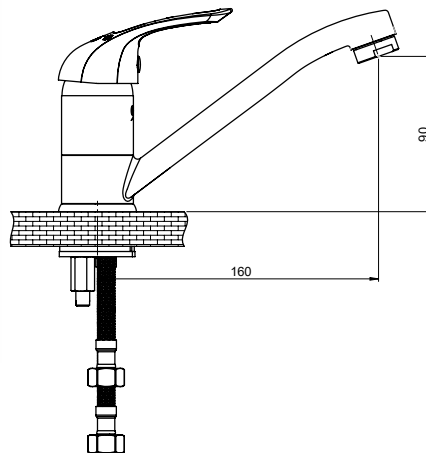
Cartridge Diameter : $\varnothing 35$
Surface : Chrome
Qty / Box : 8



FINISHES



Black



MDL120 - Swivel Wash Basin Armature

- Special water saving aerator (Bubble flow, with lime breaker, Flow rate: 8lt/min)
- With swivel spout
- Length of outlet is 160 mm
- Height of outlet is 90 mm
- Measurement of hot & cold water flex hose connection are M10x1-3/8" (or 1/2") 40 cm
- Ideal working pressure is 3-4 Bar
- To prevent any damage which can be caused by the contaminants inside the fittings, filtered interval taps are recommended

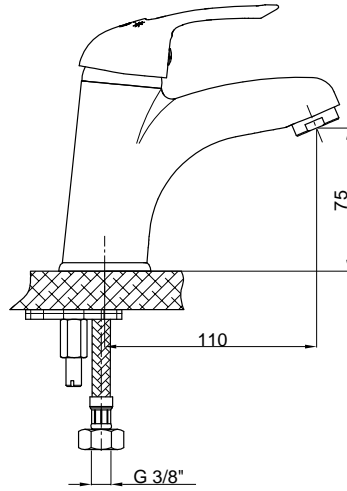
Cartridge Diameter : $\varnothing 35$
Surface : Chrome
Qty / Box : 8



FINISHES



Black



**MLT120 - Wash Basin Armature
(Single Entrance)**

- Special water saving aerator (Bubble flow, with lime breaker, Flow rate:8lt/min)
- Special cartridge for single entry
- Length of outlet is 110 mm
- Height of outlet is 75 mm
- Measurement of single entrance flex hose connection are 1/2" - 3/8" (or 1/2" - 1/2") 40 cm
- Ideal working pressure is 3-4 Bar
- To prevent any damage which can be caused by the contaminants inside the fittings, a filtered interval tap is recommended

Cartridge Diameter : $\varnothing 35$

Surface : Chrome

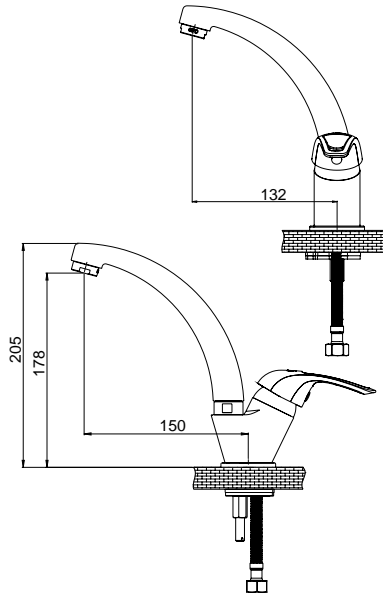
Qty / Box : 12



FINISHES



Black



**MTT120 - Monoblock Wash Basin Armature
(Single Entrance)**

- Special water saving aerator (Bubble flow, with lime breaker, Flow rate: 8lt/min)
- Special cartridge for single entry
- With swivel spout
- Length of outlet is 132 mm
- Height of outlet is 178 mm
- Measurement of single entrance flex hose connection are 1/2" - 3/8" (or 1/2" - 1/2") 40 cm
- Ideal working pressure is 3-4 Bar
- To prevent any damage which can be caused by the contaminants inside the fittings, a filtered interval tap is recommended

Cartridge Diameter : $\varnothing 35$

Surface : Chrome

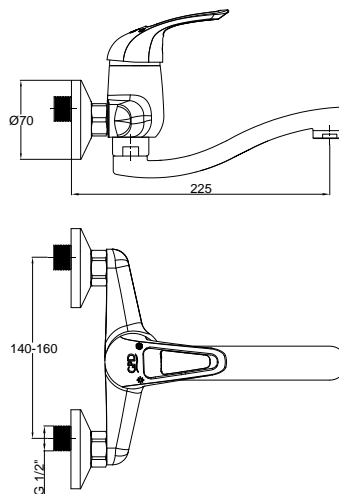
Qty / Box : 8



FINISHES



Black



MAL120 - Applique Wash Basin Armature

- Special water saving aerator (Bubble flow, with lime breaker, Flow rate:8lt/min)
- With swivel spout
- Length of outlet is 225 mm
- Armature connection threads are 3/4"
- Eccentric connection threads are 3/4" - 1/2"
- Ideal working pressure is 3-4 Bar
- To prevent any damage which can be caused by the contaminants inside the fittings, a filter at the entrance of the flat is recommended

Cartridge Diameter : $\varnothing 35$

Surface : Chrome

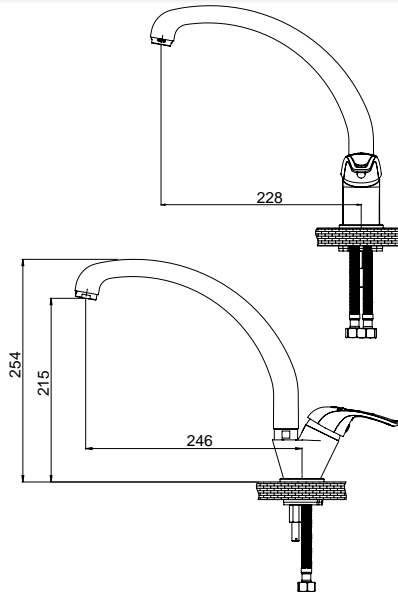
Qty / Box : 4



FINISHES



Black



MTE120 - Monoblock Sink Armature

- Special water saving aerator (Bubble flow, with lime breaker, Flow rate:8lt/min)
- With swivel spout
- Length of outlet is 228 mm
- Height of outlet is 215 mm
- Measurement of hot & cold water flex hose connection are M10x1-3/8" (or 1/2") 40 cm
- Ideal working pressure is 3-4 Bar
- To prevent any damage which can be caused by the contaminants inside the fittings, filtered interval taps are recommended

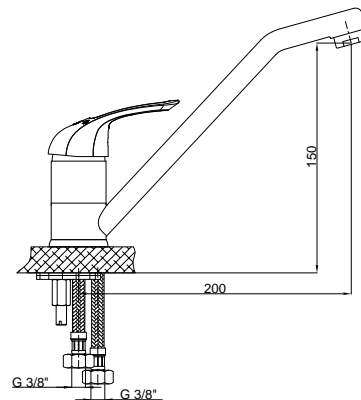
Cartridge Diameter : $\varnothing 35$
Surface : Chrome
Qty / Box : 8



FINISHES



Black



MEB120 - Swivel Sink Armature

- Special water saving aerator (Bubble flow, with lime breaker, Flow rate:8lt/min)
- With swivel spout
- Length of outlet is 200 mm
- Height of outlet is 150 mm
- Measurement of hot & cold water flex hose connection are M10x1-3/8" (or 1/2") 40 cm
- Ideal working pressure is 3-4 Bar
- To prevent any damage which can be caused by the contaminants inside the fittings, filtered interval taps are recommended

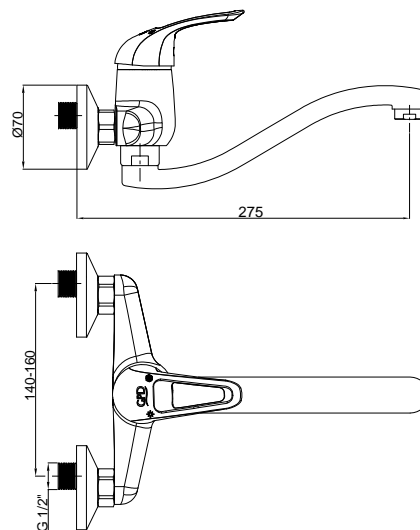
Cartridge Diameter : $\varnothing 35$
Surface : Chrome
Qty / Box : 12



FINISHES



Black



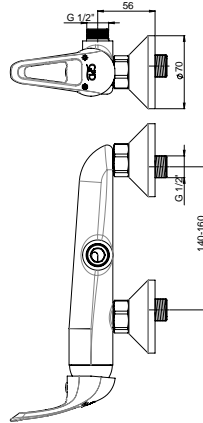
MAE120 - Applique Sink Armature

- Special water saving aerator (Bubble flow, with lime breaker, Flow rate: 8lt/min)
- With swivel spout
- Length of outlet is 275 mm
- Armature connection threads are 3/4"
- Eccentric connection threads are 3/4" - 1/2"
- Ideal working pressure is 3-4 Bar
- It is recommended to use filter at the entrance of the flat in order to prevent any pollution that may occur in the installation and damage to the armature

Cartridge Diameter : $\varnothing 35$
Surface : Chrome
Qty / Box : 4



FINISHES

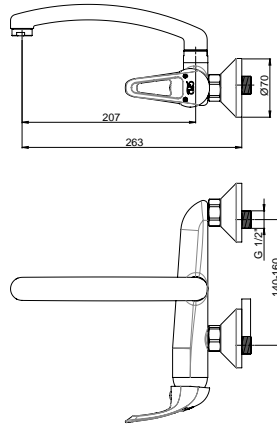


MDU120 - Shower Armature with Upper Connection

- Overhead spiral flex hose output
- On the side of the control lever
- Shower outlet length 56 mm
- Armature connection threads are 3/4"
- Eccentric connection threads are 3/4" - 1/2"
- Spiral hose connection thread 1/2"
- Ideal working pressure 3-4 bar
- It is recommended to use filter at the entrance of the flat in order to prevent any pollution that may occur in the installation and damage to the armature

Cartridge Diameter : $\varnothing 35$
 Surface : Chrome
 Qty / Box : 8

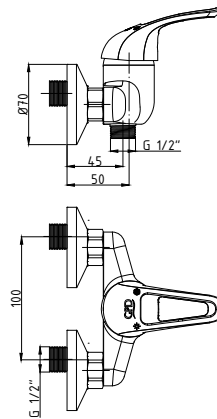
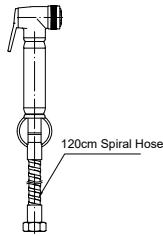
FINISHES



MAU120 - Applique Sink Armature (Spout From Up)

- Special water saving aerator (Bubble flow, with lime breaker, flow rate:8lt/min)
- Overhead spiral pipe out
- On the side of the control lever
- Length of outlet is 263 mm
- Armature connection threads are 3/4"
- Eccentric connection threads are 3/4" - 1/2"
- Ideal working pressure 3-4 bar
- It is recommended to use filter at the entrance of the flat in order to prevent any pollution that may occur in the installation and damage to the armature

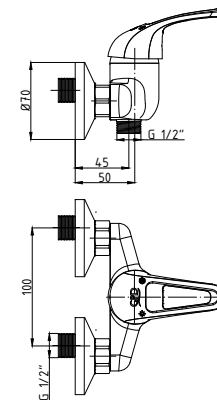
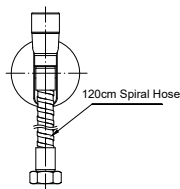
Cartridge Diameter : $\varnothing 35$
 Surface : Chrome
 Qty / Box : 8



MTB120 - Bidet Set with STS01

- Shower outlet length is 50 mm
- Armature connection threads are 3/4"
- Eccentric connection threads are 3/4" - 1/2"
- Spiral hose connection threads are 1/2"
- With spray bidet set (STS01)
- Length of spiral hose : 120 cm
- Ideal working pressure 3-4 bar
- It is recommended to use filter at the entrance of the flat in order to prevent any pollution that may occur in the installation and damage to the armature

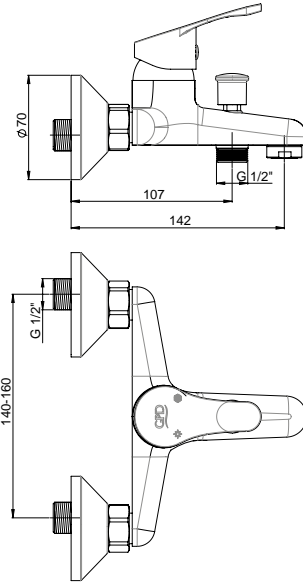
Cartridge Diameter : $\varnothing 35$
 Surface : Chrome
 Qty / Box : 6



MTB120-2 - Bidet Set with STS02

- Shower outlet length is 50 mm
- Armature connection threads are 3/4"
- Eccentric connection threads are 3/4" - 1/2"
- Spiral hose connection threads are 1/2"
- With spray bidet set (STS02)
- Length of spiral hose : 120 cm
- Ideal working pressure 3-4 bar
- It is recommended to use filter at the entrance of the flat in order to prevent any pollution that may occur in the installation and damage to the armature

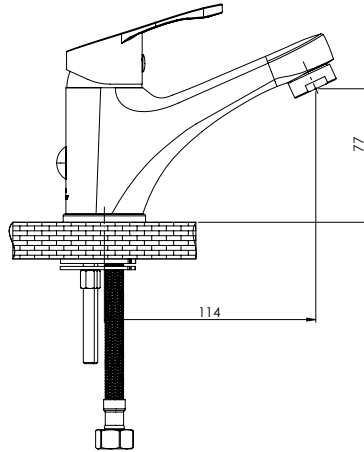
Cartridge Diameter : $\varnothing 35$
 Surface : Chrome
 Qty / Box : 6



MBB185 - Bathroom Armature

- Special aerator (Bubble flow, with lime breaker, flow rate:16lt/dk)
- Length of outlet is 142 mm
- Armature connection threads are 3/4"
- Eccentric connection threads are 3/4" - 1/2"
- Spiral hose connection threads are 1/2"
- Ideal working pressure is 3-4 bar
- To prevent any damage which can be caused by the contaminants inside the fittings a filter at the entrance of the flat is recommended

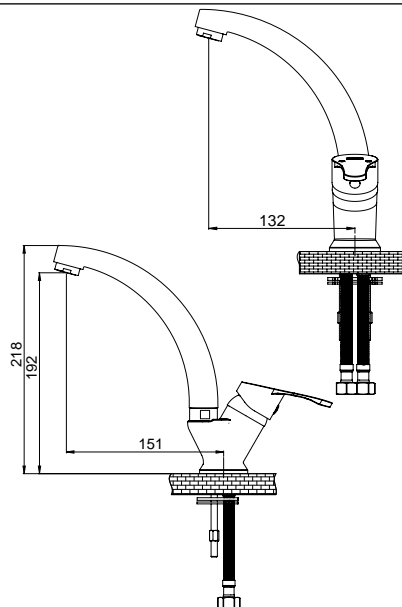
Cartridge Diameter : $\varnothing 35$
Surface : Chrome
Qty / Box : 6



MLB185 - Wash Basin Armature

- Special aerator (Bubble flow, with lime breaker, flow rate:8lt/dk)
- Length of outlet is 114 mm
- Height of outlet is 77 mm
- Measurements of hot&cold water flex hose connections are M10x1-3/8" (or 1/2") 40 cm
- Ideal working pressure is 3-4 bar
- To prevent any damage which can be caused by the contaminants inside the fittings a filtered interval tap is recommended

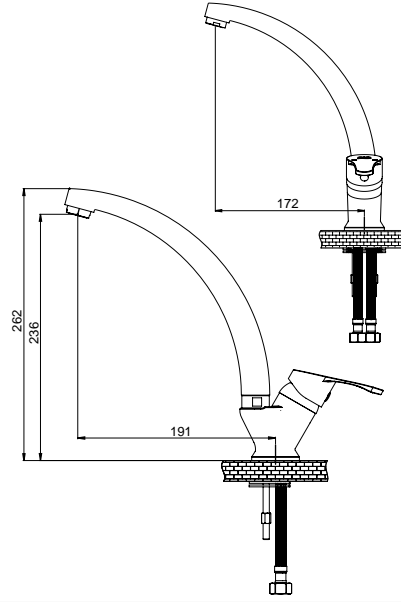
Cartridge Diameter : $\varnothing 35$
Surface : Chrome
Qty / Box : 12



MTL185 - Monoblock Wash Basin Armature

- Special aerator (Bubble flow, with lime breaker, flow rate:8lt/dk)
- With swivel spout
- Length of outlet is 132 mm
- Height of outlet is 192 mm
- Measurements of hot&cold water flex hose connections are M10x1-3/8" (or 1/2") 40 cm
- Ideal working pressure is 3-4 bar
- To prevent any damage which can be caused by the contaminants inside the fittings a filtered interval tap is recommended

Cartridge Diameter : $\varnothing 35$
Surface : Chrome
Qty / Box : 8



MTE185 - Monoblock Sink Armature

- Special aerator (Bubble flow, with lime breaker, flow rate:8lt/dk)
- With swivel spout
- Length of outlet is 172 mm
- Height of outlet is 236 mm
- Measurements of hot&cold water flex hose connections are M10x1-3/8" (or 1/2") 40 cm
- Ideal working pressure is 3-4 bar
- To prevent any damage which can be caused by the contaminants inside the fittings a filtered interval tap is recommended

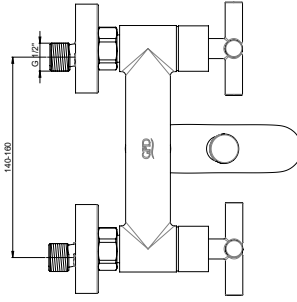
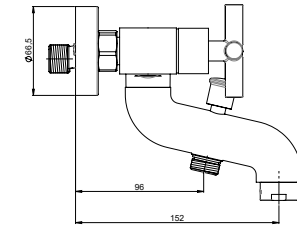
Cartridge Diameter : $\varnothing 35$
 Surface : Chrome
 Qty / Box : 8



FINISHES



Copper Oxide



BNB05 - Bathroom Armature

- Special water saving aerator (Bubble flow, with lime breaker, Flow rate:16lt/min)
- 90° ceramic stemmer with turning on/off angle
- Diverter unit with locking system
- Length of outlet is 152 mm
- Armature connection threads are 3/4"
- Eccentric connection threads are 3/4" - 1/2"
- Ideal working pressure is 3-4 Bar
- It is recommended to use filter at the entrance of the flat in order to prevent any pollution that may occur in the installation and damage to the armature

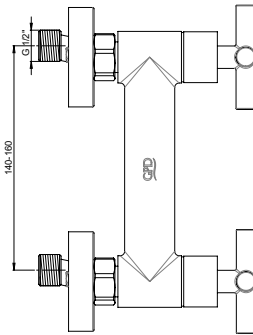
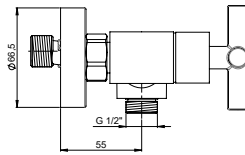
Surface : Chrome
Qty / Box : 4



FINISHES



Copper Oxide



DSB05 - Shower Armature

- 90° ceramic stemmer with turning on/off angle
- Shower outlet length is 55 mm
- Height of outlet is 150 mm
- Armature connection threads are 3/4"
- Eccentric connection threads are 3/4" - 1/2"
- Ideal working pressure is 3-4 Bar
- It is recommended to use filter at the entrance of the flat in order to prevent any pollution that may occur in the installation and damage to the armature

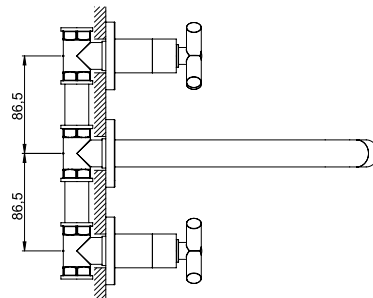
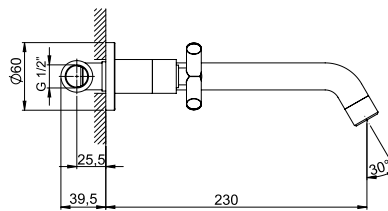
Surface : Chrome
Qty / Box : 4



FINISHES



Copper Oxide Rose Gold



DAB05 - Concealed Wash-Basin Armature

- Special water saving aerator (Bubble flow, with lime breaker, flow rate:8 lt/dk)
- 90° ceramic stemmer with turning on/off angle
- Under plaster assemble
- Length of outlet is 230 mm
- Space between hot & cold water flywheel 173 mm
- Ideal working pressure is 3-4 Bar
- It is recommended to use filter at the entrance of the flat in order to prevent any pollution that may occur in the installation and damage to the armature

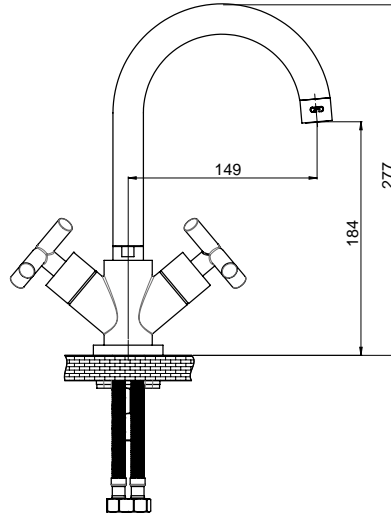
Surface : Chrome
Qty / Box : 8



FINISHES



Copper Oxide



DLB05 - Swivel Spout Wash-Basin Armature

- Special water saving aerator (Bubble flow, with lime breaker, Flow rate: 8lt/min)
- 90° ceramic stemmer with turning on/off angle
- With swivel spout
- Length of outlet is 149 mm
- Height of outlet is 184 mm
- Measurements of hot and cold water flex hose connection are M10x1-3/8" (or 1/2") 40cm
- Ideal working pressure is 3-4 Bar
- To prevent any damage which can be caused by the contaminants inside the fittings, filtered interval taps are recommended

Surface : Chrome

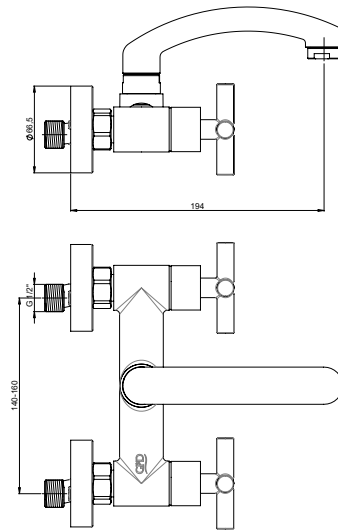
Qty / Box : 8



FINISHES



Copper Oxide



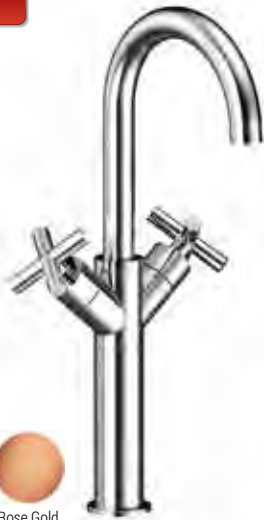
ADL05 - Applique Sink Armature

- Special water saving aerator (Bubble flow, with lime breaker, Flow rate: 8lt/min)
- 90° ceramic stemmer with turning on/off angle
- Length of outlet is 194 mm
- Armature connection threads are 3/4"
- Eccentric connection threads are 3/4" - 1/2"
- Ideal working pressure is 3-4 Bar
- It is recommended to use filter at the entrance of the flat in order to prevent any pollution that may occur in the installation and damage to the armature

Surface : Chrome

Qty / Box : 12

NEW

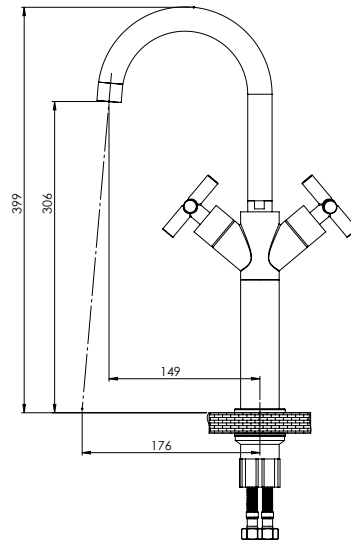


FINISHES



Copper Oxide

Rose Gold



SLB05 - Over Table Wash Basin Armature

- Water-saving special aerator (Foam flow, lime crusher, flow rate: 8lt/min)
- 90° ceramic seal
- 360° Swivel Spout
- Compatible with bowl sinks
- Spout length 149 mm
- Spout height 306 mm
- Hot and cold water flexible hose connection dimensions M10x1-3/8" (or 1/2") 40 cm
- Ideal working pressure is 3-4 Bar
- It is recommended to use a filter interval tap with the product in order to prevent any pollution that may occur in the installation from damaging the armature

Surface : Chrome

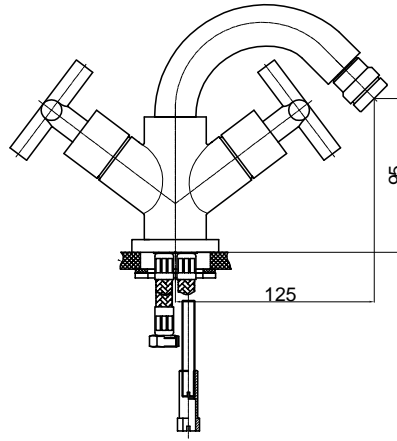
Qty / Box : 8



FINISHES



Copper Oxide



BDB05 - Bidet Armature

- Specially pin jointed, special water saving aerator (Bubble flow, with lime breaker, Flow rate: 8lt/min)
- 90° ceramic stemmer with turning on/off angle
- With swivel spout
- Length of outlet is 125 mm
- Height of outlet is 95 mm
- Measurements of hot and cold water flex hose connection are M10x1-3/8" (or 1/2") 40cm
- Ideal working pressure is 3-4 Bar
- To prevent any damage which can be caused by the contaminants inside the fittings, filtered interval taps are recommended

Surface : Chrome

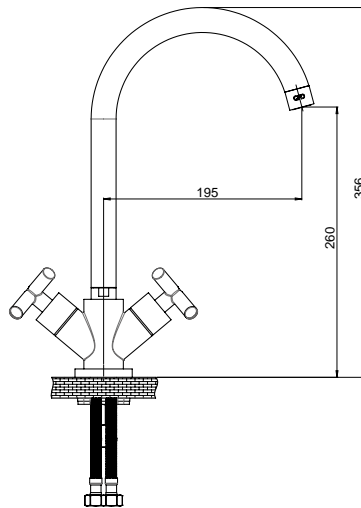
Qty / Box : 8



FINISHES



Copper Oxide



UEB05 - Swivel Sink Armature with U Spout

- Special water saving aerator (Bubble flow, with lime breaker, Flow rate: 8lt/min)
- 90° ceramic stemmer with turning on/off angle
- With swivel spout
- Length of outlet is 195 mm
- Height of outlet is 260 mm
- Measurements of hot and cold water flex hose connection are M10x1-3/8" (or 1/2") 40cm
- Ideal working pressure is 3-4 Bar
- To prevent any damage which can be caused by the contaminants inside the fittings, filtered interval taps are recommended

Surface : Chrome

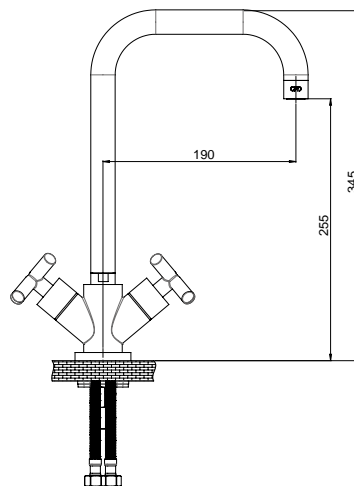
Qty / Box : 8



FINISHES



Copper Oxide

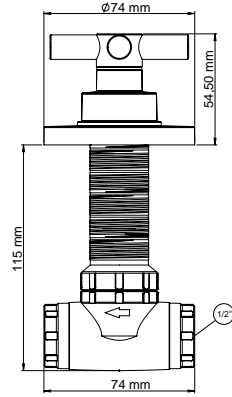


LEB05 - Swivel Sink Armature with L Spout

- Special water saving aerator (Bubble flow, with lime breaker, Flow rate: 8lt/min)
- 90° ceramic stemmer with turning on/off angle
- With swivel spout
- Length of outlet is 190 mm
- Height of outlet is 255 mm
- Measurements of hot and cold water flex hose connection are M10x1-3/8" (or 1/2") 40cm
- Ideal working pressure is 3-4 Bar
- To prevent any damage which can be caused by the contaminants inside the fittings, filtered interval taps are recommended

Surface : Chrome

Qty / Box : 8

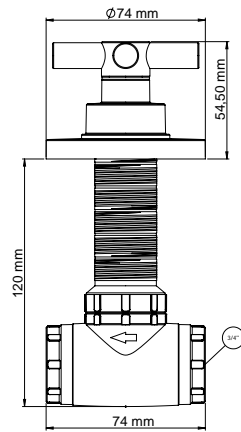


AAK06 - Concealed Interval Stop Valve (ø20)

- PP-R body, suitable to connect directly to installation
- 90° ceramic stemmer
- Easy stemmer change (design that can be opened and replaced with standard installation switch)
- Cuttable plaster depth adjustment up to 10 cm can be applied to drywall, betopan, brick or aerated concrete walls
- Ability to tolerate installation errors up 30° with movable rosette
- Recessed body of 20 mm
- With plaster protection cover

Surface : Chrome

Qty / Box : 32

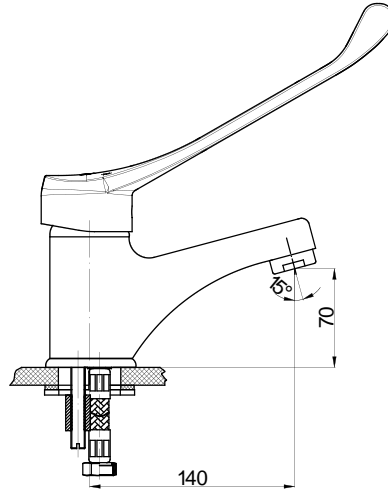


AAK07 - Concealed Interval Stop Valve (ø25)

- PP-R body, suitable to connect directly to installation
- 90° ceramic stemmer
- Easy stemmer change (design that can be opened and replaced with standard installation switch)
- Cuttable plaster depth adjustment up to 10 cm can be applied to drywall, betopan, brick or aerated concrete walls
- Ability to tolerate installation errors up 30° with movable rosette
- Recessed body of 25 mm
- With plaster protection cover

Surface : Chrome

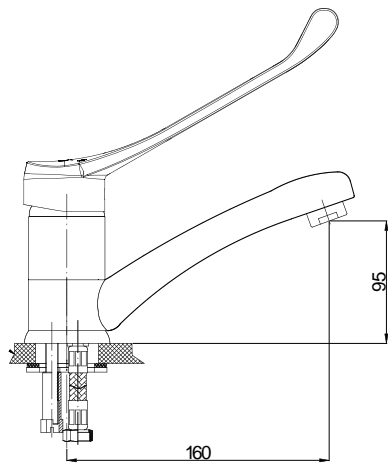
Qty / Box : 32



MLB45 - Wash Basin Armature

- Special water saving aerator (Bubble flow, with lime breaker, Flow rate: 8lt/min)
- Special cartridge
- Long and ergonomic control handle for easier control of the turning on and off
- Length of outlet is 140 mm
- Height of outlet is 70 mm
- Measurements of hot and cold water flex hose connection are M10x1-3/8" (or 1/2") 40cm
- Ideal working pressure is 3-4 Bar
- To prevent any damage which can be caused by the contaminants inside the fittings, filtered interval taps are recommended

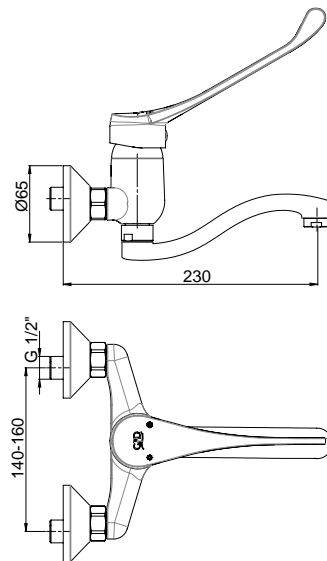
Cartridge Diameter : $\phi 40$
 Surface : Chrome
 Qty / Box : 8



MDL45 - Swivel Wash Basin Armature

- Special water saving aerator (Bubble flow, with lime breaker, Flow rate: 8lt/min)
- Special cartridge
- Long and ergonomic control handle for easier control of the turning on and off
- Length of outlet is 160 mm
- Height of outlet is 95 mm
- Measurements of hot and cold water flex hose connection are M10x1-3/8" (or 1/2") 40cm
- Ideal working pressure is 3-4 Bar
- To prevent any damage which can be caused by the contaminants inside the fittings, filtered interval taps are recommended

Cartridge Diameter : $\phi 40$
 Surface : Chrome
 Qty / Box : 8



MAL45 - Applique Wash Basin Armature

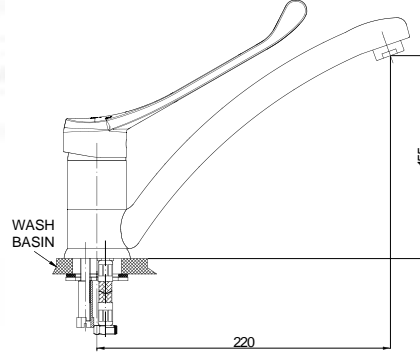
- Special aerator (Bubble flow, with lime breaker, Flow rate: 8lt/min)
- Special cartridge
- With swivel spout
- Long and ergonomic control handle for easier control of the turning on and off
- Length of outlet is 230 mm
- Armature connection threads are 3/4" - 1/2"
- Eccentric connection threads are 3/4" - 1/2"
- Spiral hose connection thread 1/2"
- Ideal working pressure is 3-4 Bar
- It is recommended to use filter at the entrance of the flat in order to prevent any pollution that may occur in the installation and damage to the armature

Cartridge Diameter : $\phi 40$
 Surface : Chrome
 Qty / Box : 4



DOCTOR & PHYSICALLY DISABLED

MEB45 - Swivel Sink Armature



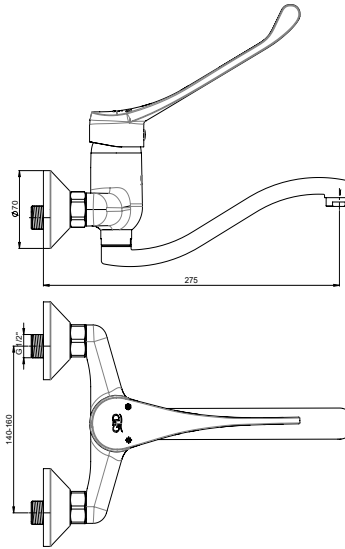
- Special water saving aerator (Bubble flow, with lime breaker, Flow rate: 8lt/min)
- Special cartridge
- Long and ergonomic control handle for easier control of the turning on and off
- With swivel spout
- Length of outlet is 220 mm
- Height of outlet is 155 mm
- Measurements of hot and cold water flex hose connection are M10x1-3/8" (or 1/2") 40cm
- Ideal working pressure is 3-4 Bar
- To prevent any damage which can be caused by the contaminants inside the fittings, filtered interval taps are recommended

Cartridge Diameter : $\phi 40$

Surface : Chrome

Qty / Box : 8

MAE45 - Applique Sink Armature



- Special aerator (Bubble flow, with lime breaker, Flow rate: 8lt/min)
- Special cartridge
- With swivel spout
- Long and ergonomic control handle for easier control of the turning on and off
- Length of outlet is 275 mm
- Armature connection threads are 3/4" - 1/2"
- Eccentric connection threads are 3/4" - 1/2"
- Spiral hose connection thread 1/2"
- Ideal working pressure is 3-4 Bar
- It is recommended to use filter at the entrance of the flat in order to prevent any pollution that may occur in the installation and damage to the armature

Cartridge Diameter : $\phi 40$

Surface : Chrome

Qty / Box : 4

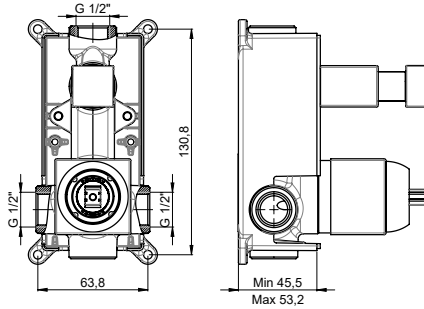
CONCEALED BATHROOM & SHOWER ARMATURE RECESSED HOUSING GROUP



REVISED



FINISHES



SAG01 - Ø35 mm Concealed Bathroom Armature Recessed Housing Group

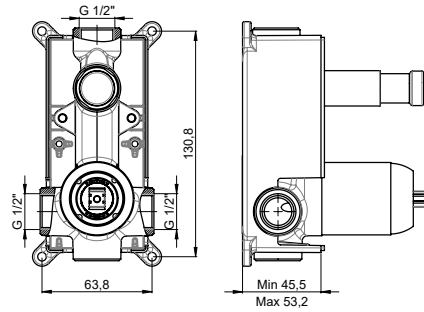
- Special cartridge
- Recessed body with plastic safety cover
- With spirit level to prevent oblique mounting
- Plumbing connections size 1/2"
- Can be used SUG85, SUG105, SUG160, SUG135
- Can be used with Ritmo, Fuego, Pedra and Tulio series related codes

Qty / Box : 8

REVISED



FINISHES



SAG02 - Ø40 mm Concealed Bathroom Armature Recessed Housing Group

- Special cartridge
- Recessed body with plastic safety cover
- Plumbing connections size 1/2"
- With spirit level to prevent oblique mounting
- Can be used SUG70
- Can be used with Espina series related codes

SAG03 - Ø35 mm Concealed Bathroom Armature Recessed Housing Group

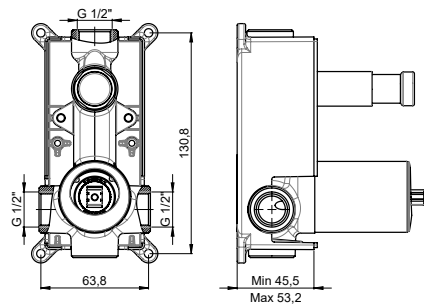
- Special cartridge
- Recessed body with plastic safety cover
- With spirit level to prevent oblique mounting
- Plumbing connections size 1/2"
- Can be used SUG75, SUG65, SUG55, SUG120
- Can be used with Felis, Atros, Solus, Adrio series related codes

Qty / Box : 8

REVISED



FINISHES



SAG12 - Ø35 mm Concealed Bathroom Armature Recessed Housing Group

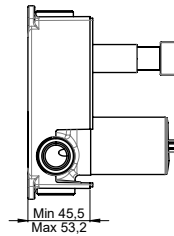
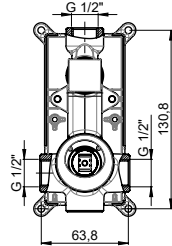
- Special cartridge
- Recessed body with plastic safety cover
- With spirit level to prevent oblique mounting
- Plumbing connections size 1/2"
- Can be used SUG165, SUG195
- Can be used with Gildo, Aduro series related codes

Qty / Box : 8



CONCEALED BATHROOM & SHOWER ARMATURE RECESSED HOUSING GROUP

NEW



FINISHES



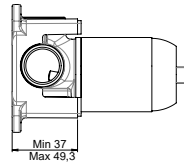
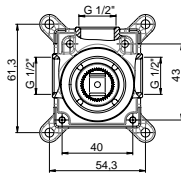
Black

SAG20 - Ø35 mm Concealed Bathroom Armature Recessed Housing Group

- Special cartridge
- Recessed body with plastic safety cover
- With spirit level to prevent oblique mounting
- Plumbing connections size 1/2"
- Can be used SUG190
- Can be used with Quadro series related codes

Qty / Box : 8

REVISED



FINISHES



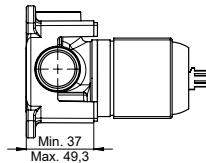
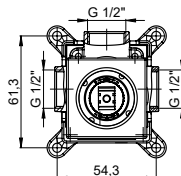
Black

SAG06 - Ø35 mm Concealed Shower Armature Recessed Housing Group

- Special cartridge
- Recessed body with plastic safety cover
- With spirit level to prevent oblique mounting
- Plumbing connections size 1/2"
- Can be used SUD120, SUD55, SUD65, SUD75
- Can be used with Adrio, Solus, Atros, Felis series related codes

Qty / Box : 8

REVISED



FINISHES



Black



Gold



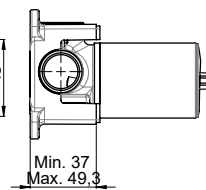
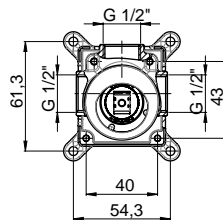
Brush Nickel

SAG10 - Ø35 mm Concealed Shower Armature Recessed Housing Group

- Special cartridge
- Recessed body with plastic safety cover
- With spirit level to prevent oblique mounting
- Plumbing connections size 1/2"
- Can be used SUD85, SUD105, SUD160, SUD135
- Can be used with Ritmo, Fuego, Pedra, Tulio series related codes

Qty / Box : 8

REVISED



FINISHES



Black

SAG11 - Ø35mm Concealed Shower Armature Recessed Housing Group

- Special cartridge
- Recessed body with plastic safety cover
- With spirit level to prevent oblique mounting
- Plumbing connections size 1/2"
- Can be used SUD165, SUD195
- Can be used with Gildo, Aduro series related codes

Qty / Box : 8

CONCEALED BATHROOM & SHOWER ARMATURE RECESSED HOUSING GROUP



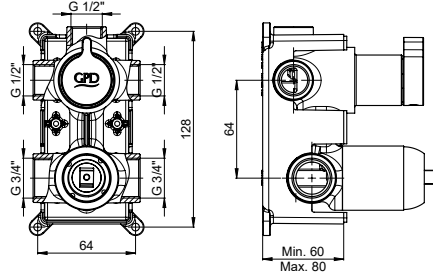
NEW



FINISHES



Black



SCA01 - Ø35mm Concealed Bathroom Armature Recessed Housing Group (with 3 way diverter)

- Special cartridge
- Recessed body with plastic safety cover
- With spirit level to prevent oblique mounting
- Hot-Cold water installation connection dimensions 3/4\" (1/2\" can be produced upon request)
- Can be used SCU75,SCU55,SCU65,SCU70
- Can be used with Felis,Solus,Atros and Espina series related codes

Qty / Box : 8

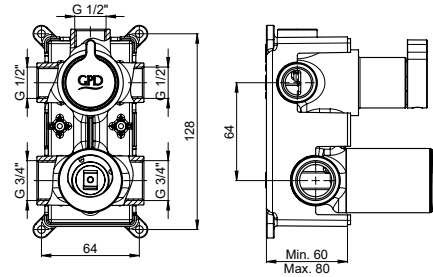
NEW



FINISHES



Black



SCA02 - Ø35mm Concealed Bathroom Armature Recessed Housing Group (with 3 way diverter)

- Special cartridge
- Recessed body with plastic safety cover
- With spirit level to prevent oblique mounting
- Hot-Cold water installation connection dimensions 3/4\" (1/2\" can be produced upon request)
- Can be used SCU165, SCU195
- Can be used with Gildo,Aduro series related codes

Qty / Box : 8

NEW



FINISHES

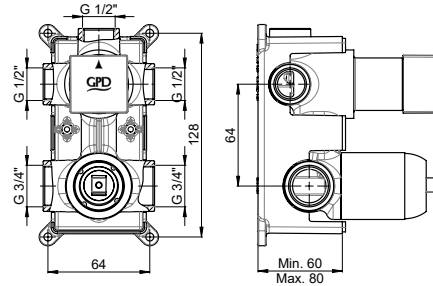


Black

Gold



Brush
Nickel



SCA07 - Ø35mm Concealed Bathroom Armature Recessed Housing Group (with 3 way diverter)

- Special cartridge
- Recessed body with plastic safety cover
- With spirit level to prevent oblique mounting
- Hot-Cold water installation connection dimensions 3/4\" (1/2\" can be produced upon request)
- Can be used SCU155,SCU85,SCU160,SCU135
- Can be used with Provide, Ritmo, Pedra and Tulio series related codes

Qty / Box : 8

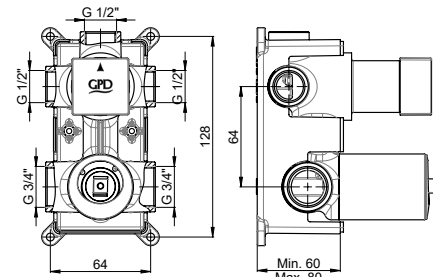
NEW



FINISHES



Black




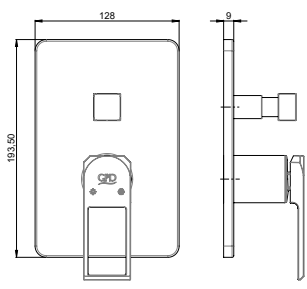

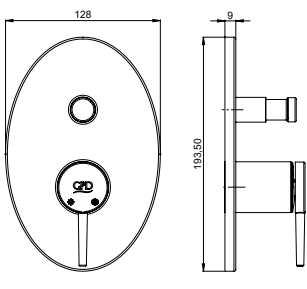

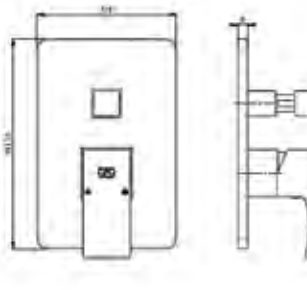

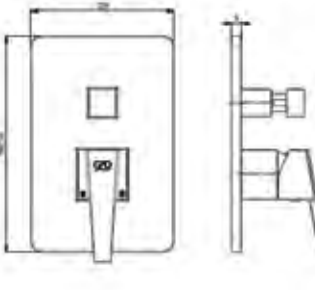

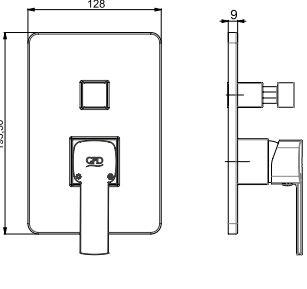
SCA08 - Ø35mm Concealed Bathroom Armature Recessed Housing Group (with 3 way diverter)

- Special cartridge
- Recessed body with plastic safety cover
- With spirit level to prevent oblique mounting
- Hot-Cold water installation connection dimensions 3/4\" (1/2\" can be produced upon request)
- Can be used SCU190
- Can be used with GPD Quadro serie related codes

Qty / Box : 8



CONCEALED BATHROOM & SHOWER ARMATURE OVER PLASTER GROUP

<p>NEW</p>  <p>FINISHES</p> <p>Black</p>		<p>SUG190 - Quadro Concealed Bathroom Over Plaster Group</p> <ul style="list-style-type: none"> • ø35 mm • Rectangle rosette and square diverter handhold • Square cartridge cover • Rosette width is 128 mm • Rosette length is 193,5 mm • Rosette height 9 mm • With Pedra handle • Sub diverter group shown is picture is not included • Can bu used SAG20 <p>Surface : Chrome Qty / Box : 8</p>
<p>NEW</p>  <p>FINISHES</p> <p>Black</p>		<p>SUG195 - Aduro Concealed Bathroom Over Plaster Group</p> <ul style="list-style-type: none"> • ø35 mm • Oval rosette • Rosette width is 128 mm • Rosette length is 193,5 mm • Rosette height 9 mm • With Gildo handle • Sub diverter group shown is picture is not included • Can bu used SAG12 <p>Surface : Chrome Qty / Box : 8</p>
<p>FINISHES</p> <p>Black</p> 		<p>SUG105 - Fuego Concealed Bathroom Over Plaster Group</p> <ul style="list-style-type: none"> • ø35 mm • Rectangle rosette and square diverter handhold • Square cartridge cover • Rosette width is 128 mm • Rosette length is 193,5 mm • Rosette height 9 mm • With Fuego handle • Sub diverter group shown is picture is not included • Can bu used SAG01 <p>Surface : Chrome Qty / Box : 8</p>
<p>FINISHES</p> <p>Black</p> 		<p>SUG85 - Ritmo Concealed Bathroom Over Plaster Group</p> <ul style="list-style-type: none"> • ø35 mm • Rectangle rosette and square diverter handhold • Square cartridge cover • Rosette width is 128 mm • Rosette length is 193,5 mm • Rosette height 9 mm • With Ritmo handle • Sub diverter group shown is picture is not included • Can bu used SAG01 <p>Surface : Chrome Qty / Box : 8</p>
<p>FINISHES</p> <p>Black Brush Nickel</p> 		<p>SUG160 - Pedra Concealed Bathroom Over Plaster Group</p> <ul style="list-style-type: none"> • ø35 mm • Rectangle rosette and square diverter handhold • Square cartridge cover • Rosette width is 128 mm • Rosette length is 193,5 mm • Rosette height 9 mm • With Pedra handle • Sub diverter group shown is picture is not included • Can bu used SAG01 <p>Surface : Chrome Qty / Box : 8</p>

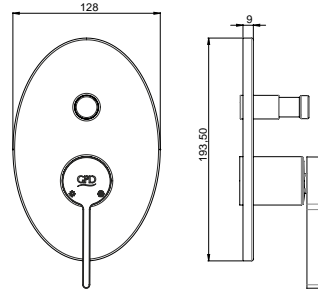
CONCEALED BATHROOM & SHOWER ARMATURE OVER PLASTER GROUP



FINISHES



Black



SUG165 - Gildo

Concealed Bathroom Over Plaster Group

- ø35 mm
- Oval rosette
- Rosette width is 128 mm
- Rosette length is 193,5 mm
- Rosette height 9 mm
- With Gildo handle
- Sub diverter group shown is picture is not included
- Can bu used SAG12

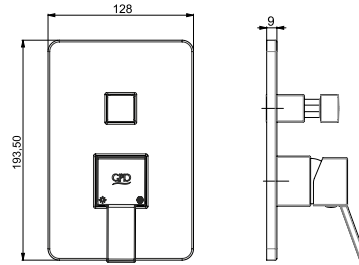
Surface : Chrome

Qty / Box : 8

FINISHES



Black



SUG135 - Tulio

Concealed Bathroom Over Plaster Group

- ø35 mm
- Rectangle rosette and square diverter handhold
- Square cartridge cover
- Rosette width is 128 mm
- Rosette length is 193,5 mm
- Rosette height 9 mm
- With Tulio handle
- Sub diverter group shown is picture is not included
- Can bu used SAG01

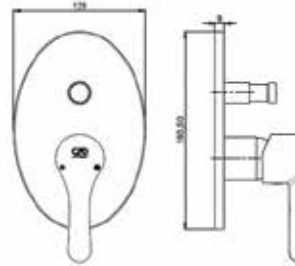
Surface : Chrome

Qty / Box : 8

FINISHES



Black



SUG75 - Felis

Concealed Bathroom Over Plaster Group

- ø35 mm
- Oval rosette
- Rosette width is 128 mm
- Rosette length is 193,5 mm
- Rosette height 9 mm
- With Felis handle
- Sub diverter group shown is picture is not included
- Can bu used SAG03

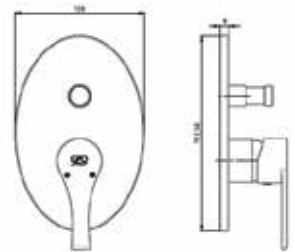
Surface : Chrome

Qty / Box : 8

FINISHES



Black



SUG65 - Atros

Concealed Bathroom Over Plaster Group

- ø35 mm
- Oval rosette
- Rosette width is 128 mm
- Rosette length is 193,5 mm
- Rosette height 9 mm
- With Atros handle
- Sub diverter group shown is picture is not included
- Can bu used SAG03

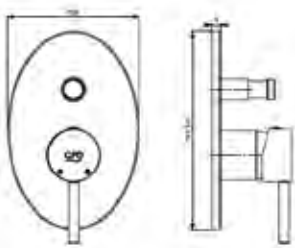
Surface : Chrome

Qty / Box : 8

FINISHES



Black



SUG70 - Espina

Concealed Bathroom Over Plaster Group



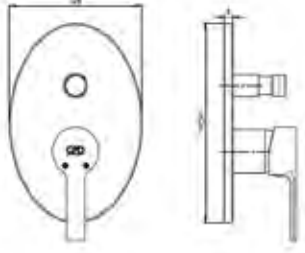


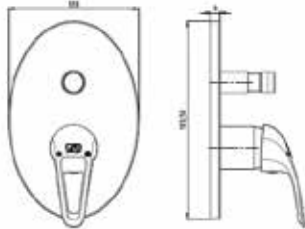


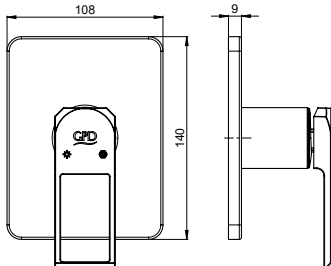


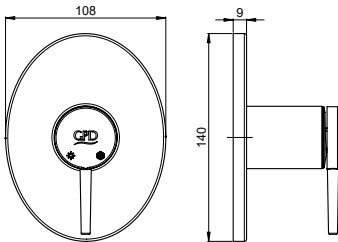

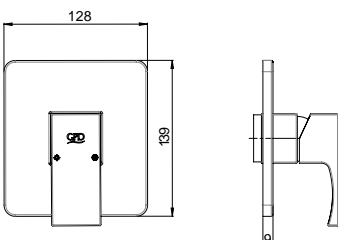
- ø40 mm
- Oval rosette
- Rosette width is 128 mm
- Rosette length is 193,5 mm
- Rosette height 9 mm
- With Espina handle
- Sub diverter group shown is picture is not included
- Can bu used SAG02

Surface : Chrome

Qty / Box : 8



CONCEALED BATHROOM & SHOWER ARMATURE OVER PLASTER GROUP

<p>FINISHES</p>  <p>Black</p> 		<p>SUG55 - Solus Concealed Bathroom Over Plaster Group</p> <ul style="list-style-type: none"> • ø35 mm • Oval rosette • Rosette width is 128 mm • Rosette length is 193,5 mm • Rosette height 9 mm • With Solus handle • Sub diverter group shown is picture is not included • Can bu used SAG03 <p>Surface : Chrome Qty / Box : 8</p>
<p>FINISHES</p>  <p>Black</p> 		<p>SUG120 - Adrio Concealed Bathroom Over Plaster Group</p> <ul style="list-style-type: none"> • ø35 mm • Oval rosette • Rosette width is 128 mm • Rosette length is 193,5 mm • Rosette height 9 mm • With Adrio handle • Sub diverter group shown is picture is not included • Can bu used SAG03 <p>Surface : Chrome Qty / Box : 8</p>
<p>NEW</p> <p>FINISHES</p>  <p>Black</p> 		<p>SUD190 - Quadro Concealed Over Plaster Shower Group</p> <ul style="list-style-type: none"> • ø35 mm • Square rosette • Rosette width is 108 mm • Rosette length is 140 mm • Rosette height 9 mm • With Fuego handle • Sub diverter group shown is picture is not included • Can bu used SAG10 <p>Surface : Chrome Qty / Box : 8</p>
<p>NEW</p> <p>FINISHES</p>  <p>Black</p> 		<p>SUD195 - Aduro Concealed Over Plaster Shower Group</p> <ul style="list-style-type: none"> • ø35 mm • Square rosette • Rosette width is 128 mm • Rosette length is 139 mm • Rosette height 9 mm • With Fuego handle • Sub diverter group shown is picture is not included • Can bu used SAG10 <p>Surface : Chrome Qty / Box : 8</p>
		<p>SUD105 - Fuego Concealed Over Plaster Shower Group</p> <ul style="list-style-type: none"> • ø35 mm • Square rosette • Rosette width is 128 mm • Rosette length is 139 mm • Rosette height 9 mm • With Fuego handle • Sub diverter group shown is picture is not included • Can bu used SAG10 <p>Surface : Chrome Qty / Box : 8</p>

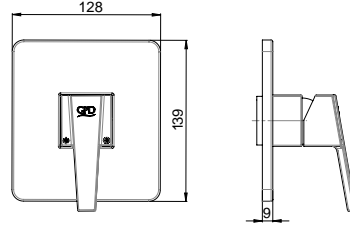
CONCEALED BATHROOM & SHOWER ARMATURE OVER PLASTER GROUP



FINISHES



Black



SUD85 - Ritmo Concealed Over Plaster Shower Group

- ø35 mm
- Square rosette
- Rosette width is 128 mm
- Rosette length is 139 mm
- Rosette height 9 mm
- With Ritmo handle
- Sub diverter group shown is picture is not included
- Can bu used SAG10

Surface : Chrome

Qty / Box : 8

FINISHES



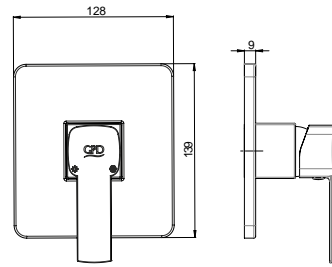
Black



Gold



Brush Nickel



SUD160 - Pedra Concealed Over Plaster Shower Group

- ø35 mm
- Square rosette
- Rosette width is 128 mm
- Rosette length is 139 mm
- Rosette height 9 mm
- With Pedra handle
- Sub diverter group shown is picture is not included
- Can bu used SAG10

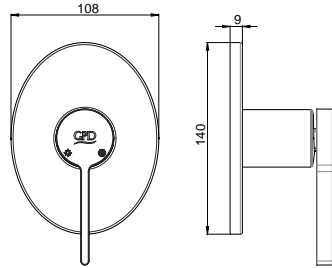
Surface : Chrome

Qty / Box : 8

FINISHES



Black



SUD165 - Gildo Concealed Over Plaster Shower Group

- ø35 mm
- Oval rosette
- Rosette width is 108 mm
- Rosette length is 140 mm
- Rosette height 9 mm
- With Gildo handle
- Sub diverter group shown is picture is not included
- Can bu used SAG11

Surface : Chrome

Qty / Box : 8

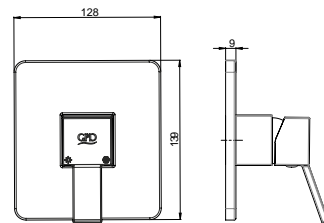
FINISHES



Black



Gold

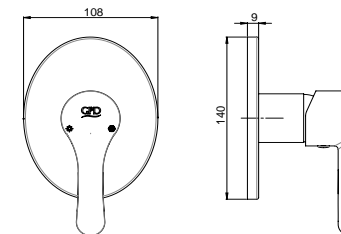


SUD135 - Tulio Concealed Over Plaster Shower Group

- ø35 mm
- Square rosette
- Rosette width is 128 mm
- Rosette length is 139 mm
- Rosette height 9 mm
- With Tulio handle
- Sub diverter group shown is picture is not included
- Can bu used SAG10

Surface : Chrome

Qty / Box : 8



SUD75 - Felis Concealed Over Plaster Shower Group

- ø35 mm
- Oval rosette
- Rosette width is 108 mm
- Rosette length is 140 mm
- Rosette height 9 mm
- With Felis handle
- Sub diverter group shown is picture is not included
- Can bu used SAG06

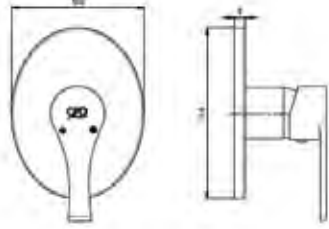
Surface : Chrome

Qty / Box : 8



CONCEALED BATHROOM & SHOWER ARMATURE OVER PLASTER GROUP

FINISHES



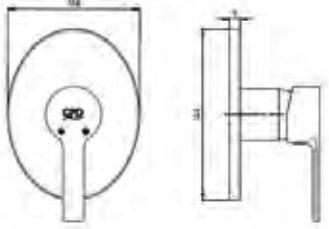
SUD65 - Atros Concealed Over Plaster Shower Group

- ø35 mm
- Oval rosette
- Rosette width is 108 mm
- Rosette length is 140 mm
- Rosette height 9 mm
- With Atros handle
- Sub diverter group shown is picture is not included
- Can bu used SAG06

Surface : Chrome

Qty / Box : 8

FINISHES



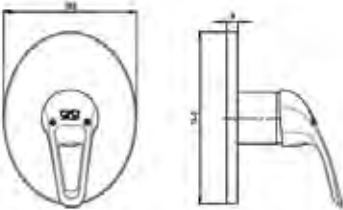
SUD55 - Solus Concealed Over Plaster Shower Group

- ø35 mm
- Oval rosette
- Rosette width is 108 mm
- Rosette length is 140 mm
- Rosette height 9 mm
- With Solus handle
- Sub diverter group shown is picture is not included
- Can bu used SAG06

Surface : Chrome

Qty / Box : 8

FINISHES



SUD120 - Adrio Concealed Over Plaster Shower Group

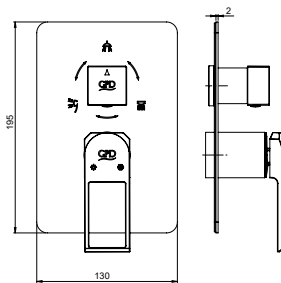
- ø35 mm
- Oval rosette
- Rosette width is 108 mm
- Rosette length is 140 mm
- Rosette height 9 mm
- With Adrio handle
- Sub diverter group shown is picture is not included
- Can bu used SAG06

Surface : Chrome

Qty / Box : 8

NEW

FINISHES



SCU190 - Quadro Concealed Bathroom Over Plaster Group

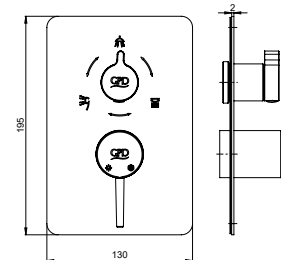
- ø35 mm
- Stainless chrome-nickel plated rosette
- Rosette width is 195 mm
- Rosette length is 130 mm
- Rosette height 2 mm
- With Ritmo handle
- Sub diverter group shown is picture is not included
- Can bu used SCA01

Surface : Chrome

Qty / Box : 8

NEW

FINISHES



SCU195 - Aduro Concealed Bathroom Over Plaster Group

- ø35 mm
- Stainless chrome-nickel plated rosette
- Rosette width is 195 mm
- Rosette length is 130 mm
- Rosette height 2 mm
- With Pedra handle
- Sub diverter group shown is picture is not included
- Can bu used SCA01

Surface : Chrome

Qty / Box : 8

CONCEALED BATHROOM & SHOWER ARMATURE OVER PLASTER GROUP

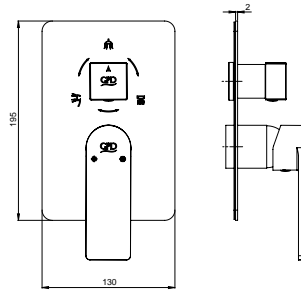


NEW

FINISHES



Gold



SCU155 - Provido Concealed Bathroom Over Plaster Group

- ø35 mm
- Stainless chrome-nickel plated rosette
- Rosette width is 195 mm
- Rosette length is 130 mm
- Rosette height 2 mm
- With Provido handle
- Sub diverter group shown is picture is not included
- Can bu used SCA01

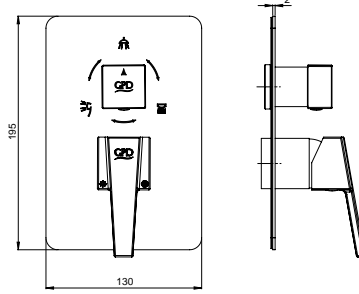
Surface : Chrome
Qty / Box : 8

NEW

FINISHES



Black



SCU85 - Ritmo Concealed Bathroom Over Plaster Group

- ø35 mm
- Stainless chrome-nickel plated rosette
- Rosette width is 195 mm
- Rosette length is 130 mm
- Rosette height 2 mm
- With Ritmo handle
- Sub diverter group shown is picture is not included
- Can bu used SCA01

Surface : Chrome
Qty / Box : 8

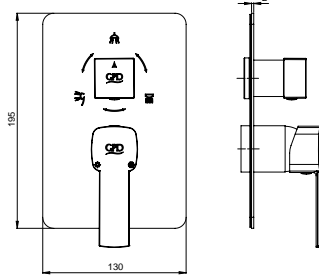
NEW

FINISHES



Black

Brush Nickel



SCU160 - Pedra Concealed Bathroom Over Plaster Group

- ø35 mm
- Stainless chrome-nickel plated rosette
- Rosette width is 195 mm
- Rosette length is 130 mm
- Rosette height 2 mm
- With Pedra handle
- Sub diverter group shown is picture is not included
- Can bu used SCA01

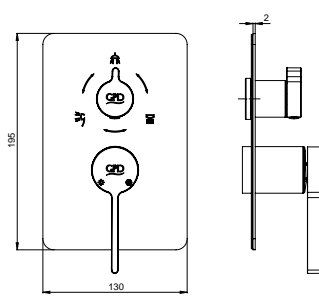
Surface : Chrome
Qty / Box : 8

NEW

FINISHES



Black



SCU165 - Gildo Concealed Bathroom Over Plaster Group

- ø35 mm
- Stainless chrome-nickel plated rosette
- Rosette width is 195 mm
- Rosette length is 130 mm
- Rosette height 2 mm
- With Gildo handle
- Sub diverter group shown is picture is not included
- Can bu used SCA02

Surface : Chrome
Qty / Box : 8

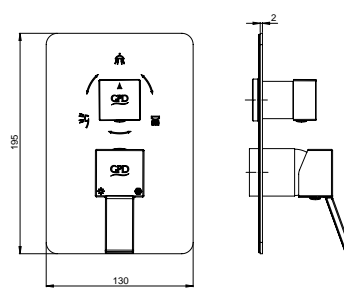
NEW

FINISHES



Black

Gold




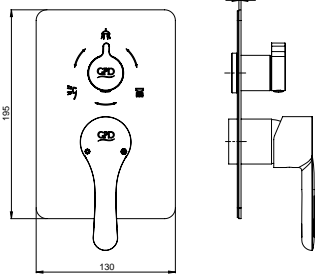


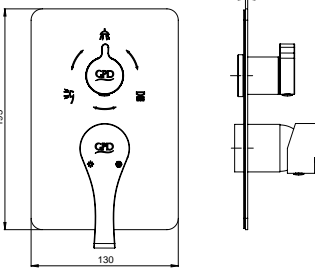


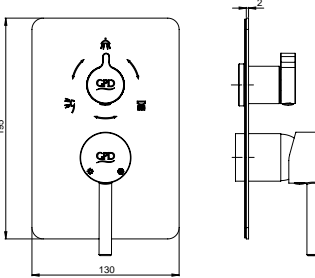


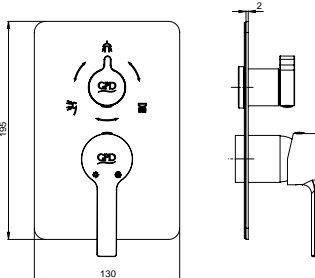


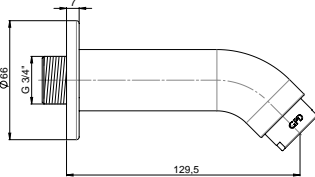
SCU135 - Tulio Concealed Bathroom Over Plaster Group

- ø35 mm
- Stainless chrome-nickel plated rosette
- Rosette width is 195 mm
- Rosette length is 130 mm
- Rosette height 2 mm
- With Tulio handle
- Sub diverter group shown is picture is not included
- Can bu used SCA01

Surface : Chrome
Qty / Box : 8



CONCEALED BATHROOM & SHOWER ARMATURE OVER PLASTER GROUP

<p>NEW</p> 		<p>SCU75 - Felis Concealed Bathroom Over Plaster Group</p> <ul style="list-style-type: none"> • ø35 mm • Stainless chrome-nickel plated rosette • Rosette width is 195 mm • Rosette length is 130 mm • Rosette height 2 mm • With Felis handle • Sub diverter group shown is picture is not included • Can bu used SCA01 <p>Surface : Chrome Qty / Box : 8</p>
<p>NEW</p>  <p>FINISHES</p>  <p>Black</p>		<p>SCU65 - Atros Concealed Bathroom Over Plaster Group</p> <ul style="list-style-type: none"> • ø35 mm • Stainless chrome-nickel plated rosette • Rosette width is 195 mm • Rosette length is 130 mm • Rosette height 2 mm • With Atros handle • Sub diverter group shown is picture is not included • Can bu used SCA01 <p>Surface : Chrome Qty / Box : 8</p>
<p>NEW</p>  <p>FINISHES</p>  <p>Black</p>		<p>SCU70 - Espina Concealed Bathroom Over Plaster Group</p> <ul style="list-style-type: none"> • ø35 mm • Stainless chrome-nickel plated rosette • Rosette width is 195 mm • Rosette length is 130 mm • Rosette height 2 mm • With Espina handle • Sub diverter group shown is picture is not included • Can bu used SCA01 <p>Surface : Chrome Qty / Box : 8</p>
<p>NEW</p>  <p>FINISHES</p>  <p>Black</p>		<p>SCU55 - Solus Concealed Bathroom Over Plaster Group</p> <ul style="list-style-type: none"> • ø35 mm • Stainless chrome-nickel plated rosette • Rosette width is 195 mm • Rosette length is 130 mm • Rosette height 2 mm • With Solus handle • Sub diverter group shown is picture is not included • Can bu used SCA01 <p>Surface : Chrome Qty / Box : 8</p>
<p>FINISHES</p>  <p>Black</p> 		<p>GGR01 - Spout Group without Diverter</p> <ul style="list-style-type: none"> • Special water savig aerator M28x1 (Bubble flow, with lime breaker, flow rate:16lt/min) • Length of outlet is 129,5 mm • Rosette diameter ø66 mm • Wall connection nipple 3/4", suitable for 1/2" nipple connection <p>Surface : Chrome Qty / Box : 8</p>

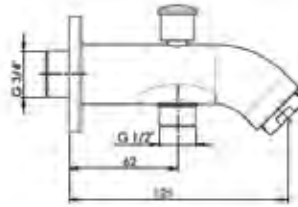
CONCEALED BATHROOM & SHOWER ARMATURE OVER PLASTER GROUP



FINISHES



Black



GGR08 - Spout Group with Diverter

- Special water saving aerator M28x1 (Bubble flow, with lime breaker, flow rate:16lt/min)
- Diverter with locking system
- Length of outlet is 125 mm
- Rosette diameter ø66 mm
- Wall connection nipple 3/4", suitable for 1/2" nipple connection

Surface : Chrome

Qty / Box : 8



FINISHES



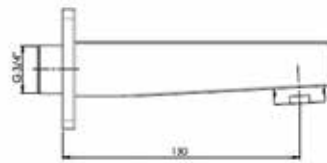
Black



Gold



Brush Nickel



GGR13 - Spout Group without Diverter

- Special water saving aerator M28x1 (Bubble flow, with lime breaker, flow rate:16lt/min)
- Length of outlet is 130 mm
- Rosette dimension 66x66 mm
- Wall connection nipple 3/4", suitable for 1/2" nipple connection
- Can be used with Ritmo, Tulio, Pedra series related codes

Surface : Chrome

Qty / Box : 8



FINISHES



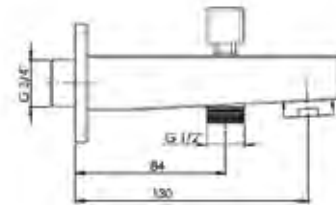
Black



Gold



Brush Nickel



GGR12 - Spout Group with Diverter

- Special water saving aerator M28x1 (Bubble flow, with lime breaker, flow rate:16lt/min)
- Length of outlet is 130 mm
- Rosette dimension 66x66 mm
- Wall connection nipple 3/4", suitable for 1/2" nipple connection
- Can be used with Ritmo, Tulio, Pedra series related codes

Surface : Chrome

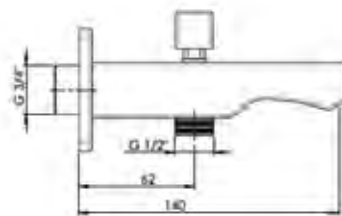
Qty / Box : 8



FINISHES



Black



GGR14 - Spout Group with Diverter (Fuego)

- Natural water flow, without aerator
- Length of outlet is 140 mm
- Rosette dimension 66x66 mm
- Wall connection nipple 3/4", suitable for 1/2" nipple connection
- Can be used with Fuego serie related codes

Surface : Chrome

Qty / Box : 8



FINISHES



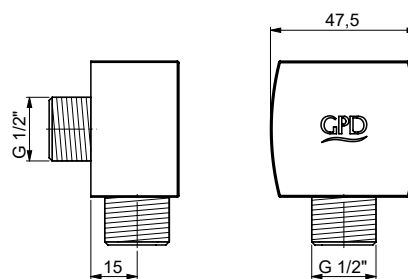
Black



Gold



Brush Nickel



GGR04 - Concealed Cabin Shower Adaptor (Square)

- It can be used together with concealed armatures by connecting on the water outlet of the fitting (only when water outlet is required for the hand shower)
- Wall connection nipple 1/2"
- Spiral hose is not included

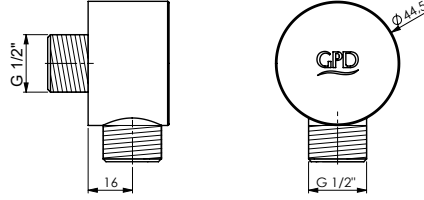
Surface : Chrome

Qty / Box : 8



CONCEALED BATHROOM & SHOWER ARMATURE OVER PLASTER GROUP

FINISHES

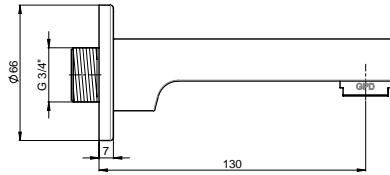


GGR05 - Concealed Cabine Shower Adaptor (Round)

- It can be used together with concealed armatures by connecting on the water outlet of the fitting (only when water outlet is required for the hand shower)
- Wall connection nipple 1/2"
- Spiral hose is not included

Surface : Chrome
Qty / Box : 8

FINISHES

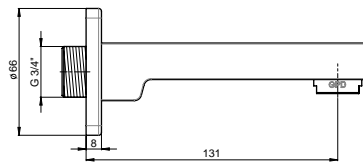


GGR23 - Spout Group without Diverter (Round)

- Special water saving aerator M24x1 (Bubble flow, with lime breaker, flow rate:12lt/min)
- Length of outlet is 130 mm
- Rosette dimension Ø66 mm
- Wall connection nipple 3/4", suitable for 1/2" nipple connection

Surface : Chrome
Qty / Box : 8

FINISHES

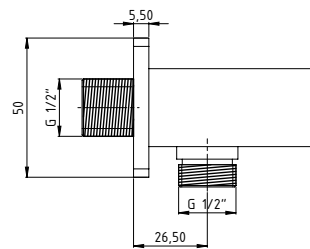


GGR24 - Spout Group without Diverter (Square)

- Special water saving aerator M24x1 (Bubble flow, with lime breaker, flow rate:12lt/min)
- Length of outlet is 131 mm
- Rosette dimension Ø66 mm
- Wall connection nipple 3/4", suitable for 1/2" nipple connection

Surface : Chrome
Qty / Box : 8

FINISHES

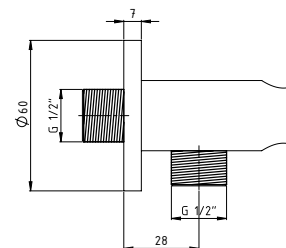


DCD01 - Shower Outlet (Square)

- Installation connection G 1/2"
- Shower outlet connection G 1/2"

Surface : Chrome
Qty / Box : 8

FINISHES



DCD02 - Shower Outlet (Round)

- Installation connection G 1/2"
- Shower outlet connection G 1/2"

Surface : Chrome
Qty / Box : 8

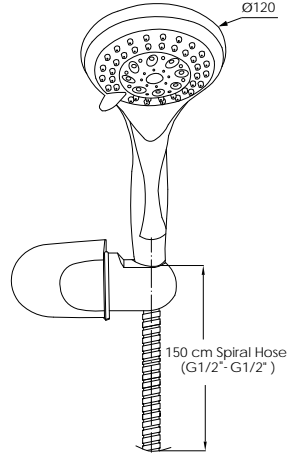
SHOWER PANELS



DSP06 - Shower Panel



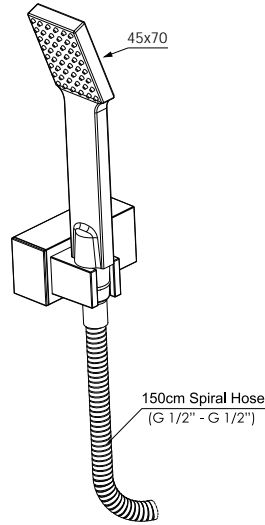
SHOWER SETS



DST13 - Hand Shower Set (with 5 Functions Ø120)

- 5 functions
- With lime breaker
- Massage effect
- 150 cm spiral hose (1/2" - 1/2") (360° tangle free system)
- with 1/2" - 3/4" adaptor
- Can be converted to HOR212 PVC hose up on request

Surface : Chrome
Qty / Box : 12



DST26 - Hand Shower Set (Single Function 45x70 mm)

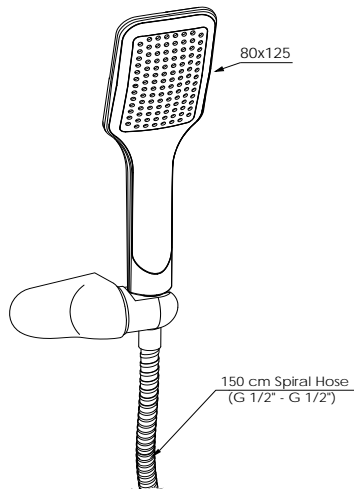
- Square design hand shower and hanger
- Single function
- With lime breaker
- Massage effect
- 150 cm spiral hose (1/2" - 1/2") (360° tangle free system)
- with 1/2" - 3/4" adaptor
- Can be converted to HOR212 PVC hose up on request

Surface : Chrome
Qty / Box : 12

FINISHES



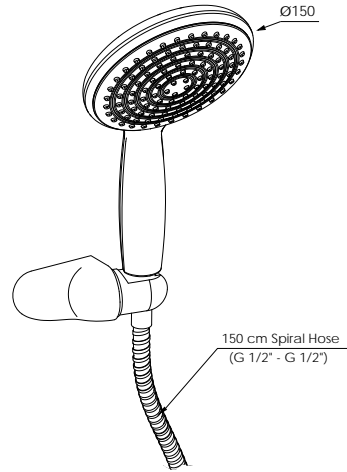
Black



DST37 - Hand Shower Set (Single Function 80x125 mm)

- Single function
- With lime breaker
- Massage effect
- 150 cm spiral hose (1/2" - 1/2") (360° tangle free system)
- with 1/2" - 3/4" adaptor
- Can be converted to HOR212 PVC hose up on request

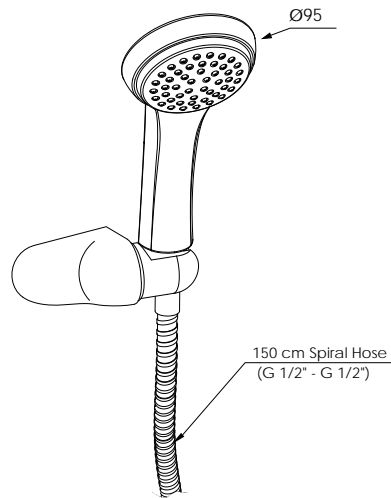
Surface : Chrome
Qty / Box : 12



DST39 - Hand Shower Set (Single Function Ø150)

- Single function
- With lime breaker
- Massage effect
- 150 cm spiral hose (1/2" - 1/2") (360° tangle free system)
- 55° stopper handle
- with 1/2" - 3/4" adaptor
- Can be converted to HOR212 PVC hose up on request

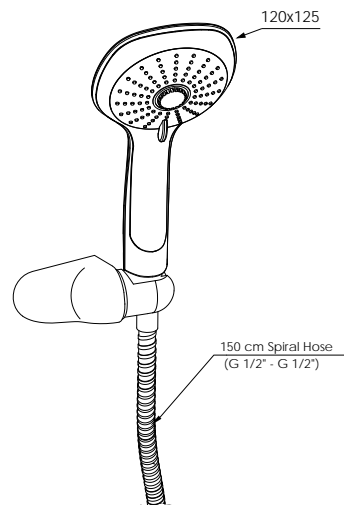
Surface : Chrome
Qty / Box : 12



DST40 - Hand Shower Set (Single Function Ø95)

- Single function
- With lime breaker
- Massage effect
- 150 cm spiral hose (1/2" - 1/2") (360° tangle free system)
- with 1/2" - 3/4" adaptor
- Can be converted to HOR212 PVC hose up on request

Surface : Chrome
Qty / Box : 12



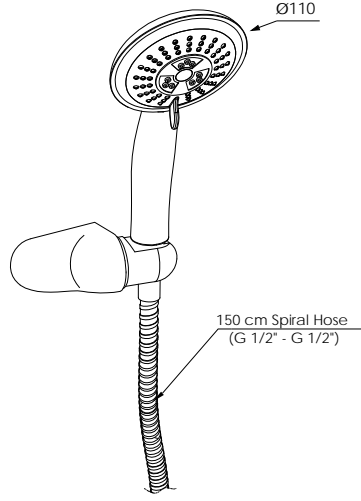
DST41 - Hand Shower Set (with 3 Functions 120x125 mm.)

- 3 functions (White front side)
- With lime breaker
- Massage effect
- 150 cm spiral hose (1/2" - 1/2") (360° tangle free system)
- with 1/2" - 3/4" adaptor
- Can be converted to HOR212 PVC hose up on request

Surface : White - Chrome
Qty / Box : 12



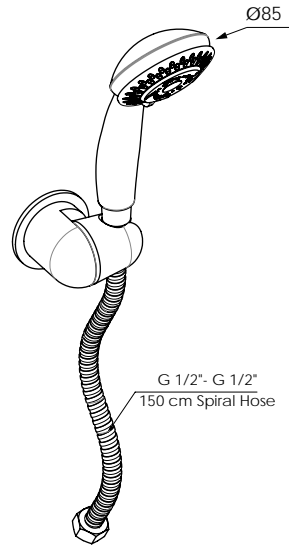
SHOWER SETS



DST43 - Hand Shower Set (with 3 Functions Ø110)

- 3 functions
- With lime breaker
- Massage effect
- 150 cm spiral hose (1/2" - 1/2") (360° tangle free system)
- with 1/2" - 3/4" adaptor
- Can be converted to HOR212 PVC hose up on request

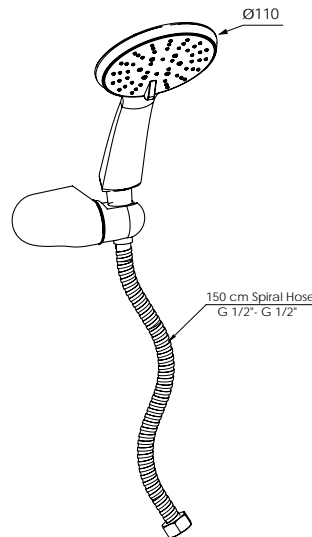
Surface : Chrome
Qty / Box : 12



DST50 - Hand Shower Set (with 5 Functions Ø85)

- 5 functions
- With lime breaker
- Massage effect
- 150 cm spiral hose (1/2" - 1/2") (360° tangle free system)
- with 1/2" - 3/4" adaptor
- Can be converted to HOR212 PVC hose up on request

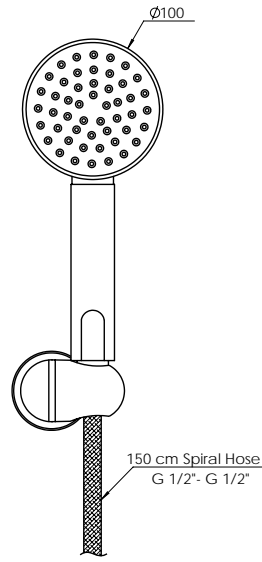
Surface : Chrome
Qty / Box : 12



DST51 - Hand Shower Set (with 5 Functions Ø110)

- 5 functions
- With lime breaker
- Massage effect
- 150 cm spiral hose (1/2" - 1/2") (360° tangle free system)
- with 1/2" - 3/4" adaptor
- Can be converted to HOR212 PVC hose up on request

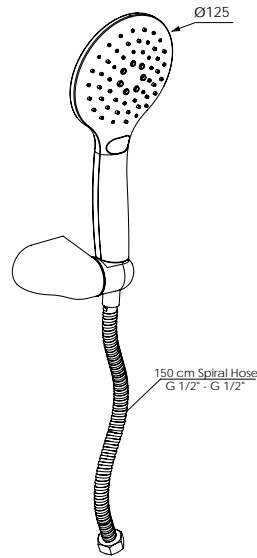
Surface : Chrome
Qty / Box : 12



DST28-A - Hand Shower Set (Single Function Ø100)

- Single function
- 150 cm spiral hose
- with 1/2" - 3/4" adaptor

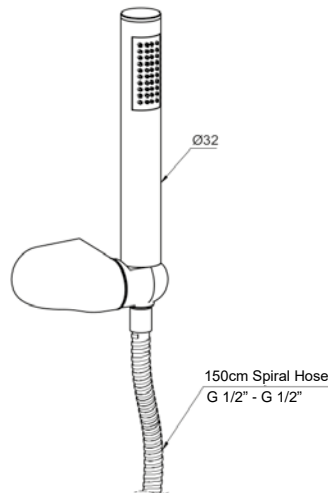
Surface : Gold (PVD Kaplama)
Qty / Box : 4



DST56-S - Hand Shower Set (with 3 Functions Ø125)

- 3 functions
- Hand shower function switch is provided by push button
- With lime breaker
- Massage effect
- 150 cm spiral hose (1/2" - 1/2")

Surface : Black
Qty / Box : 4



DST60 - Hand Shower Set (Single Function Ø32)

- Single function
- With lime breaker
- Massage effect
- 150 cm spiral hose (1/2" - 1/2") (360° tangle free system)
- with 1/2" - 3/4" adaptor
- Can be converted to HOR212 PVC hose up on request

Surface : Chrome
Qty / Box : 12

FINISHES



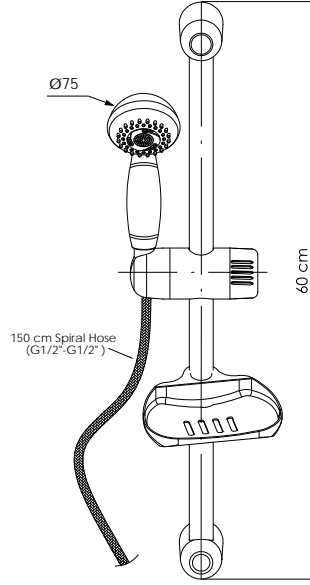
Black

** Colors on PVD and black coated products may differ slightly from the original due to studio shooting.

* Minimum quantities for options in the palette colors are determined by our sales team.
* Gül Pres Döküm San. A.Ş. reserves the right to make changes in products and technical details.



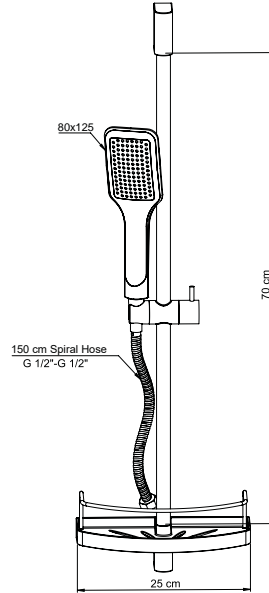
SHOWER SETS



DST16 - Sliding Shower Set (with 3 Functions Ø75)

- 3 functions
- With lime breaker
- Massage effect
- Sliding (bolt length: 60cm)
- 150 cm spiral hose (1/2" - 1/2") (360° tangle free system)
- with 1/2" - 3/4" adaptor
- Can be converted to HOR212 PVC hose up on request

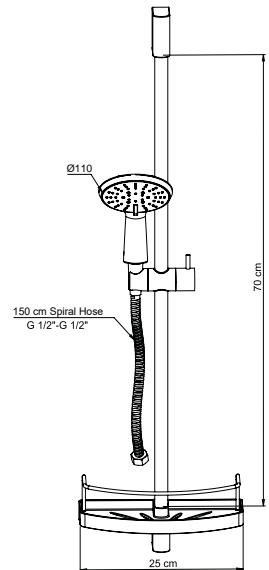
Surface : Chrome
Qty / Box : 12



DST30 - Sliding Shower Set (Single Function 80x125 mm)

- Single function
- With lime breaker
- Massage effect
- Sliding (bolt length: 70cm)
- Wide console design assuming both console and hanger (Console size: 25x13 cm)
- 150 cm spiral hose (1/2" - 1/2") (360° tangle free system)
- with 1/2" - 3/4" adaptor
- Can be converted to HOR212 PVC hose up on request

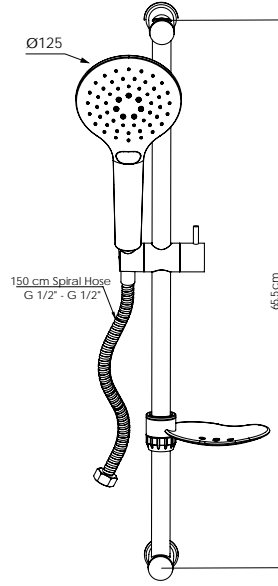
Surface : Chrome
Qty / Box : 12



DST52 - Sliding Shower Set (with 5 Functions Ø110)

- 5 functions
- With lime breaker
- Massage effect
- Sliding (bolt length: 70cm)
- Wide console design assuming both console and hanger (Console size: 25x13 cm)
- 150 cm spiral hose (1/2" - 1/2") (360° tangle free system)
- with 1/2" - 3/4" adaptor
- Can be converted to HOR212 PVC hose up on request

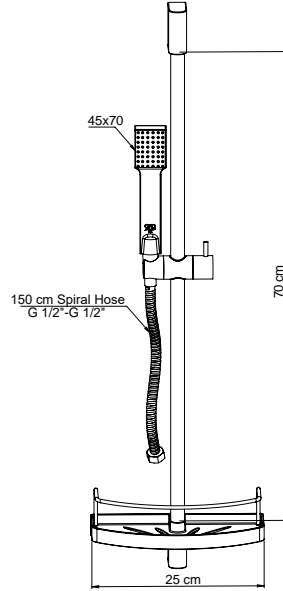
Surface : Chrome
Qty / Box : 12



DST57-S - Sliding Shower Set (with 3 Functions Ø125)

- 3 functions
- With lime breaker
- Sliding bolt length: 65,5 cm
- Hand shower function switch is provided by push button
- 150 cm spiral hose (1/2" - 1/2")
- with 1/2" - 3/4" adaptor

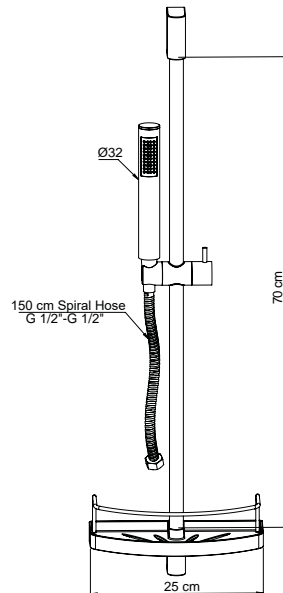
Surface : Black
Qty / Box : 4



DST61 - Sliding Shower Set (Single Function 45x70mm)

- Square design hand shower
- Single function
- With lime breaker
- Massage effect
- Sliding (bolt length: 70cm)
- Wide console design assuming both console and hanger (Console size: 25x13 cm)
- 150 cm spiral hose (1/2" - 1/2") (360° tangle free system)
- with 1/2" - 3/4" adaptor
- Can be converted to HOR212 PVC hose up on request

Surface : Chrome
Qty / Box : 12



DST62 - Sliding Shower Set (Single Function Ø32)

- Single function
- With lime breaker
- Massage effect
- Sliding (bolt length: 70cm)
- Wide console design assuming both console and hanger (Console size: 25x13 cm)
- 150 cm spiral hose (1/2" - 1/2") (360° tangle free system)
- with 1/2" - 3/4" adaptor
- Can be converted to HOR212 PVC hose up on request

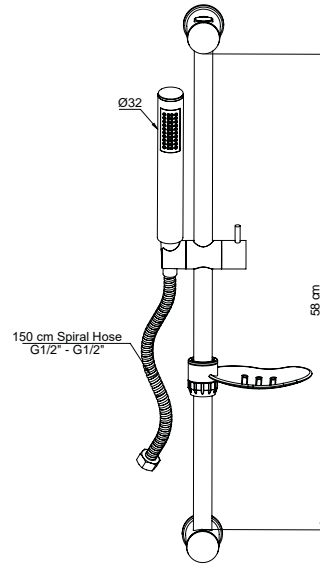
Surface : Chrome
Qty / Box : 12

** Colors on PVD and black coated products may differ slightly from the original due to studio shooting.

* Minimum quantities for options in the palette colors are determined by our sales team.
* Gül Pres Döküm San. A.Ş. reserves the right to make changes in products and technical details.



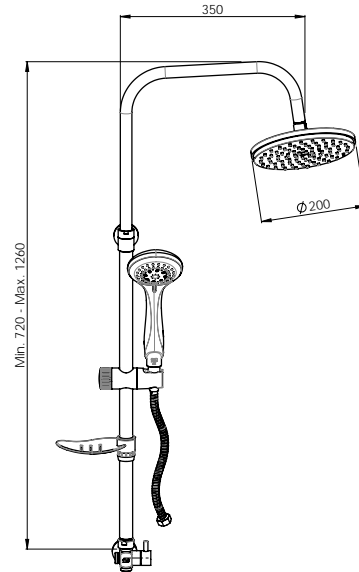
SHOWER SETS



DST63-S - Sliding Shower Set (Single Function Ø32)

- Single function
- With lime breaker
- Massage effect
- Sliding (bolt length: 58cm)
- 150 cm spiral hose (1/2" - 1/2")

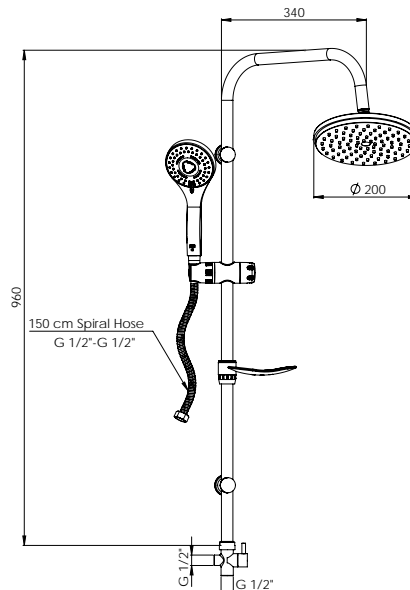
Surface : Black
Qty / Box : 4



DST19-1 - Shower Set (5 Functions with Hand Shower + Ø200)

- Hand shower with 5 functions
- Concealed shower head with rain flow (ø200)
- Height adjustable set with sliding
- 150 cm spiral hose for hand shower, also spiral hose for armature (360° tangle free system)
- Diverting unit to concealed shower head or to the hand shower head (brass)
- Can be converted to HOR212 PVC hose up on request

Surface : Chrome
Qty / Box : 4



DST19-2 - Shower Set (3 Functions with Hand Shower + Ø200)

- Hand shower with 3 functions
- Concealed shower head with rain flow (ø200)
- 150 cm spiral hose for hand shower, also spiral hose for armature (360° tangle free system)
- Diverting unit to concealed shower head or to the hand shower head (brass)
- Stainless set with sliding
- Easy wall connection with plastic pipe
- Can be converted to HOR212 PVC hose up on request

Surface : Chrome
Qty / Box : 4

FINISHES

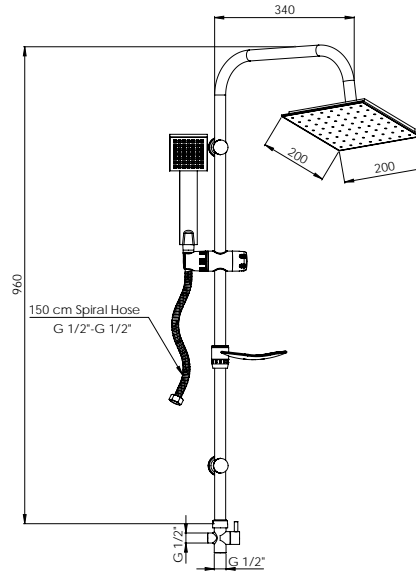


Black

** Colors on PVD and black coated products may differ slightly from the original due to studio shooting.



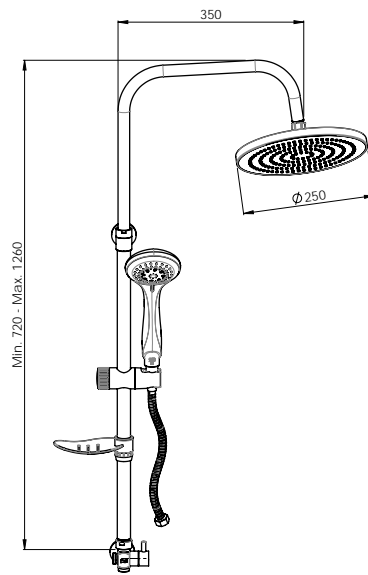
FINISHES



DST19-3 - Shower Set (Single Function with Hand Shower + 200x200mm)

- Hand shower with single function
- Concealed shower head with rain flow (200x200 mm)
- 150 cm spiral hose for hand shower, also spiral hose for armature (360° tangle free system)
- Diverting unit to concealed shower head or to the hand shower head (brass)
- Stainless set with sliding
- Easy wall connection with plastic pipe
- Can be converted to HOR212 PVC hose up on request

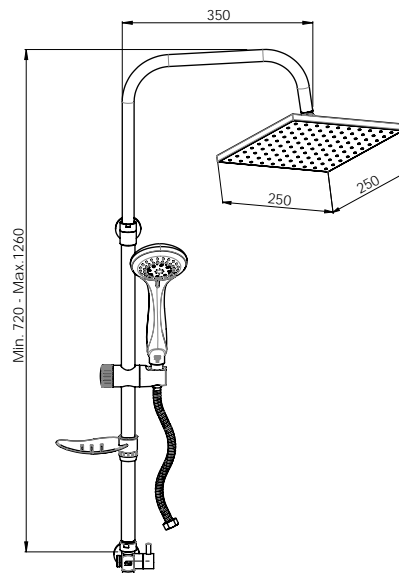
Surface : Chrome
Qty / Box : 4



DST23 - Shower Set (5 Functions with Hand Shower + Ø250)

- Hand shower with 5 functions
- Concealed shower head with rain flow (Ø250)
- 150 cm spiral hose for hand shower, also spiral hose for armature (360° tangle free system)
- Diverting unit to concealed shower head or to the hand shower head (brass)
- Can be converted to HOR212 PVC hose up on request

Surface : Chrome
Qty / Box : 4




DST24 - Shower Set (5 Functions with Hand Shower + 250x250mm)

- Hand shower with 5 functions
- Concealed shower head with rain flow (250x250 mm)
- Height adjustable set with sliding
- 150 cm spiral hose for hand shower, also spiral hose for armature (360° tangle free system)
- Diverting unit to concealed shower head or to the hand shower head (brass)
- Can be converted to HOR212 PVC hose up on request


Surface : Chrome
Qty / Box : 4




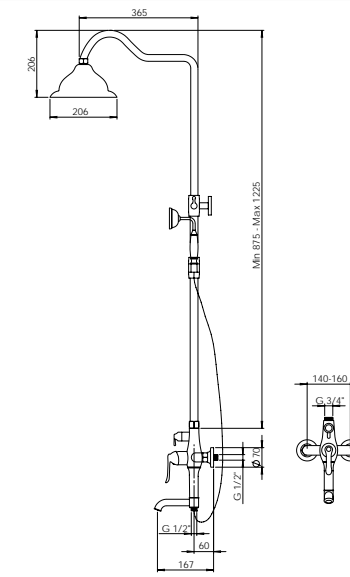
SHOWER SETS



FINISHES


Gold


ORB
Coating




Dimensions: 365 (width), 206 (shower head diameter), Min. 875 - Max. 1225 (height), 140-160 (hand shower height), G 1/2" (connection), 167 (base width), 70 (base depth), 140-160 (hand shower height), G 3/4" (connection), 70 (base depth).

DST27 - Shower Set
(Single Function with Hand Shower + Ø206)


- Hand shower with single function
- Concealed shower head with rain flow (ø206)
- Height adjustable set with sliding
- 150 cm spiral hose for hand shower (360° tangle free system)
- With bath mixer
- Space saving with 180° movable outlet
- Diverting unit to concealed shower head or to the hand shower head with 1/2" - 3/4" adaptor

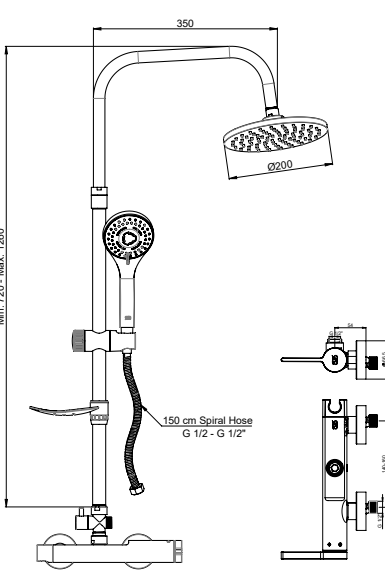
Surface : Chrome
Qty / Box : 4

NEW



FINISHES


Black




Dimensions: 350 (width), Min. 720 - Max. 1280 (height), Ø200 (shower head diameter), 150 cm Spiral Hose G 1/2" - G 1/2" (hand shower hose).

DST69 - Shower Set
(3 Functions with Hand Shower + Ø200 + MDU165)


- Embedded shower head with rain flow (ø200)
- Stainless set with sliding
- 150 cm spiral hose for hand shower (360° tangle free system)
- Shower armature that can be connected directly without spiral hose
- Diverting unit to embedded shower head or to the hand shower head (brass)
- Can be converted to HOR212 PVC hose up on request

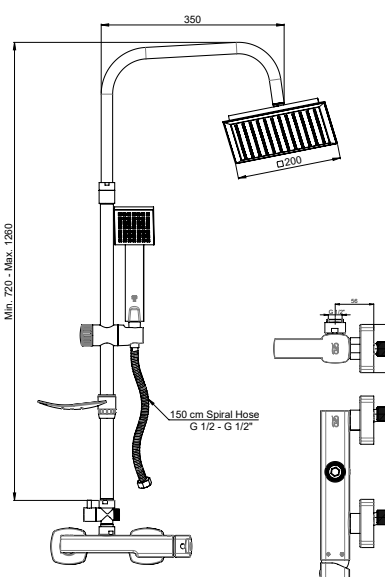
Surface : Chrome
Qty / Box : 4

NEW



FINISHES


Black



Dimensions: 350 (width), Min. 720 - Max. 1280 (height), 200x200 mm (shower head size), 150 cm Spiral Hose G 1/2" - G 1/2" (hand shower hose).

DST71 - Shower Set
(Single Function with Hand Shower + 200x200 mm + MDU160)

- Hand shower with single function
- Embedded shower head with rain flow (200x200 mm)
- Stainless set with sliding
- 150 cm spiral hose for hand shower (360° tangle free system)
- Shower armature that can be connected directly without spiral hose
- Diverting unit to embedded shower head or to the hand shower head (brass)
- Can be converted to HOR212 PVC hose up on request

Surface : Chrome
Qty / Box : 4

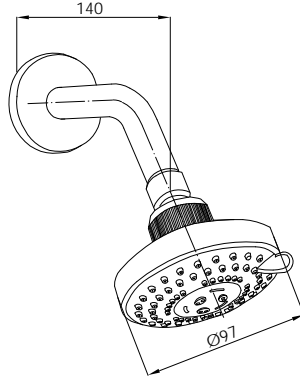
SHOWER SETS



DST27-A - Shower Set



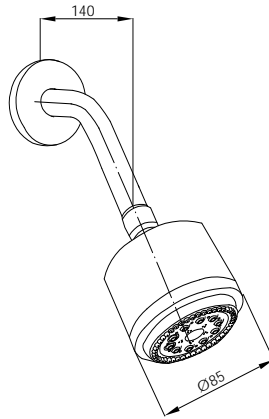
SHOWER HEADS



ADS02 - Wall Mounted Shower Set (Ø97) (with 3 Functions - Wall Outlet)

- 3 functions (Ø97)
- With lime breaker
- Massage effect
- Bend distance is 140 mm
- Brass pipe group
- Installation dimension G 1/2"

Surface : Chrome
Qty / Box : 12

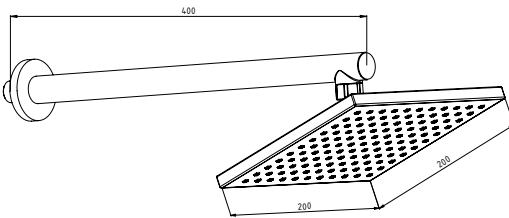


ADS03 - Wall Mounted Shower Set (Ø85) (with 5 Functions - Wall Outlet)

- 5 functions (Ø85)
- With lime breaker
- Massage effect
- Bend distance is 140 mm
- Brass pipe group
- Installation dimension G 1/2"

Surface : Chrome
Qty / Box : 12

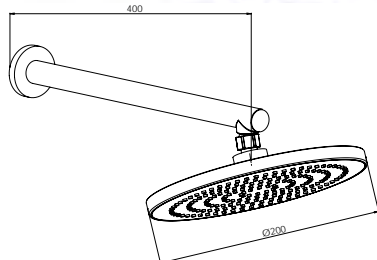
RENEWED



ADS05 - Wall Mounted Shower Set (200x200 mm - Wall Outlet)

- Concealed shower head with rain flow (200x200 mm) (plastic)
- Bend distance is 400 mm
- Brass pipe group
- Installation dimension G 1/2"

Surface : Chrome
Qty / Box : 4

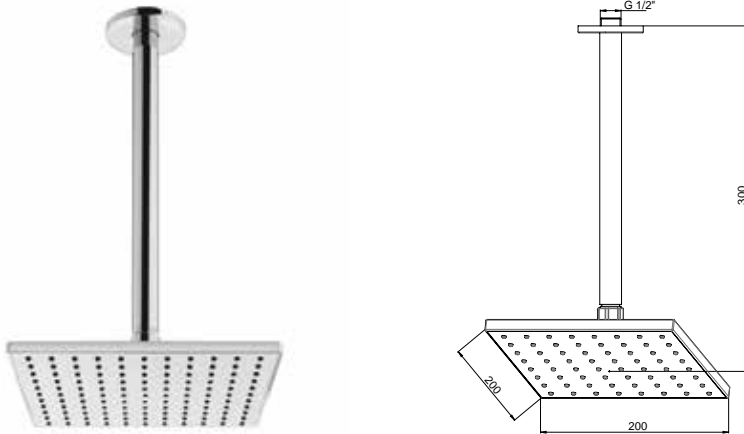


ADS07 - Wall Mounted Shower Set (Ø200 - Wall Outlet)

- Concealed shower head with rain flow (Ø200) (plastic)
- Bend distance is 400 mm
- Brass pipe group
- Installation dimension G 1/2"

Surface : Chrome
Qty / Box : 4

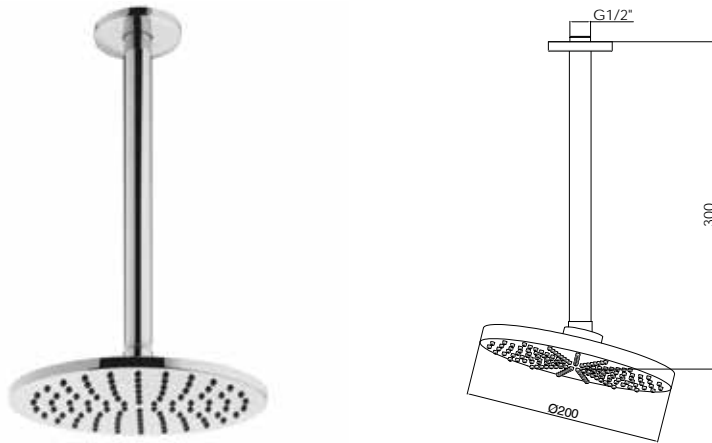
SHOWER HEADS



ADS10 - Ceiling Mounted Shower Set (200x200 mm -Ceiling Outlet)

- Concealed shower head with rain flow (200x200 mm) (plastic)
- Ceiling Space 300 mm
- Brass pipe group
- Installation dimension G 1/2"

Surface : Chrome
Qty / Box : 4

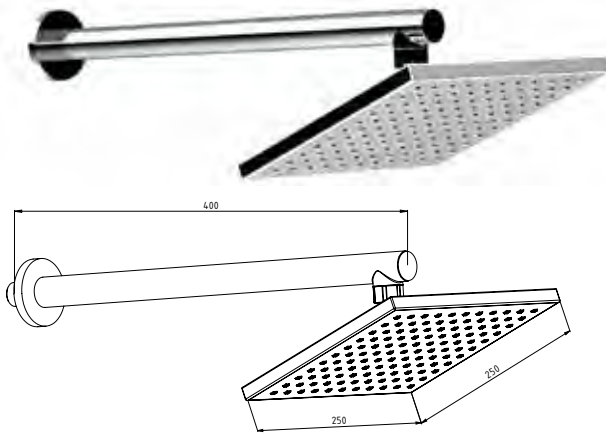


ADS11 - Ceiling Mounted Shower Set (Ø200-Ceiling Outlet)

- Concealed shower head with rain flow (Ø200) (plastic)
- Ceiling Space 300 mm
- Brass pipe group
- Installation dimension G 1/2"

Surface : Chrome
Qty / Box : 4

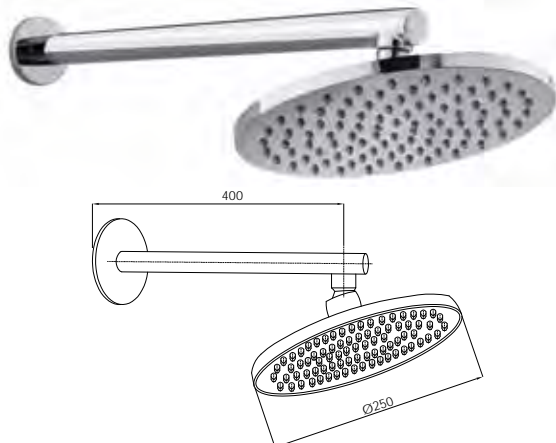
RENEWED



ADS13 - Wall Mounted Shower Set (250X250 mm - Wall Outlet)

- Concealed shower head with rain flow (250x250 mm)
- Bend distance is 400 mm
- Brass pipe group
- Installation dimension G 1/2"

Surface : Chrome
Qty / Box : 4



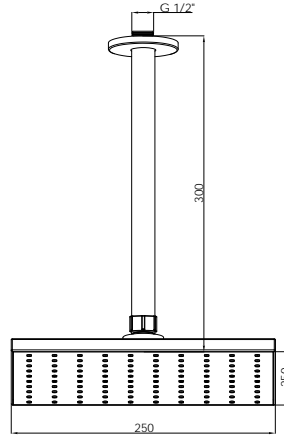
ADS14 - Wall Mounted Shower Set (Ø250 - Wall Outlet)

- Concealed shower head with rain flow (Ø250)
- Bend distance is 400 mm
- Brass pipe group
- Installation dimension G 1/2"

Surface : Chrome
Qty / Box : 4



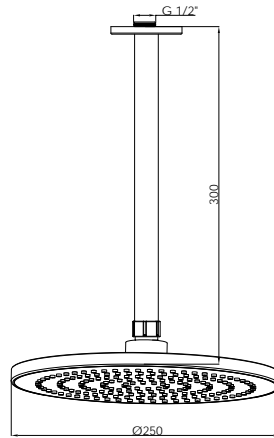
SHOWER HEADS



ADS15 - Ceiling Mounted Shower Set (250x250 mm -Ceiling Outlet)

- Concealed shower head with rain flow (250x250 mm)
- Ceiling space 300 mm
- Brass pipe group
- Installation dimension G 1/2"

Surface : Chrome
Qty / Box : 4



ADS16 - Ceiling Mounted Shower Set (Ø250-Ceiling Outlet)

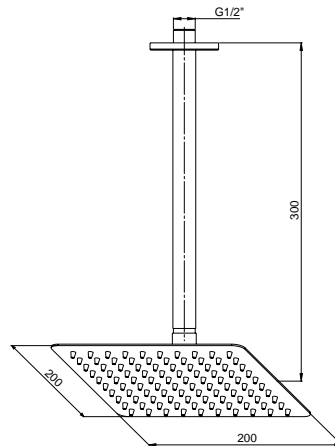
- Concealed shower head with rain flow (Ø250)
- Ceiling space 300 mm
- Brass pipe group
- Installation dimension G 1/2"

Surface : Chrome
Qty / Box : 4

FINISHES



Gold Rose Gold



ADS17-S - Ceiling Mounted Shower Set (200x200 mm -Ceiling Outlet)

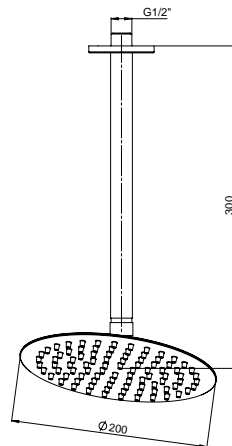
- Concealed shower head with rain flow (200x200 mm) (stainless)
- Ceiling space 300 mm
- Brass pipe group
- Installation dimension G 1/2"

Surface : Black
Qty / Box : 4

FINISHES



Gold Rose Gold



ADS18-S - Ceiling Mounted Shower Set (Ø200-Ceiling Outlet)

- Concealed shower head with rain flow (Ø200) (stainless)
- Ceiling space 300 mm
- Brass pipe group
- Installation dimension G 1/2"

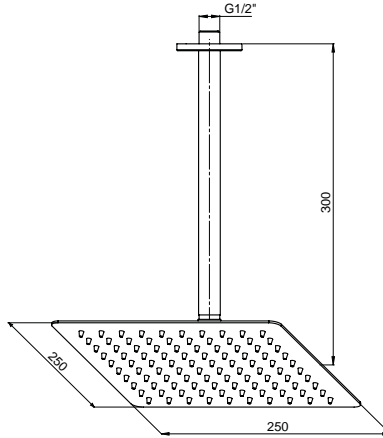
Surface : Black
Qty / Box : 4

** Colors on PVD and black coated products may differ slightly from the original due to studio shooting.

SHOWER HEADS



FINISHES

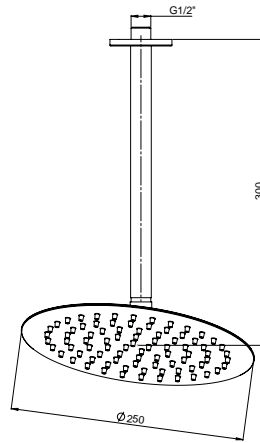


ADS19-S - Ceiling Mounted Shower Set (250x250 mm -Ceiling Outlet)

- Concealed shower head with rain flow (250x250 mm) (stainless)
- Ceiling space 300 mm
- Brass pipe group
- Installation dimension G 1/2"

Surface : Black
Qty / Box : 4

FINISHES

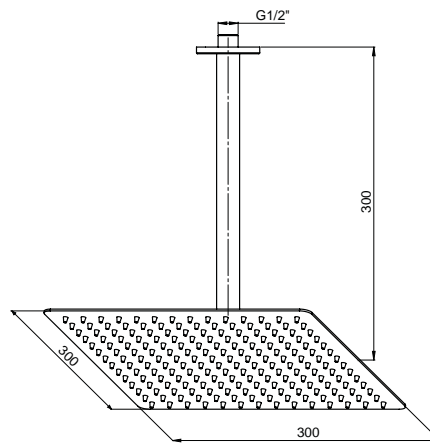


ADS20-S - Ceiling Mounted Shower Set (Ø250-Ceiling Outlet)

- Concealed shower head with rain flow (Ø250) (stainless)
- Ceiling space 300 mm
- Brass pipe group
- Installation dimension G 1/2"

Surface : Black
Qty / Box : 4

FINISHES

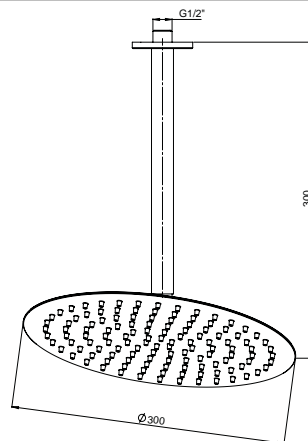


ADS21 - Ceiling Mounted Shower Set (300x300 mm -Ceiling Outlet)

- Concealed shower head with rain flow (300x300 mm) (stainless)
- Ceiling space 300 mm
- Brass pipe group
- Installation dimension G 1/2"

Surface : Chrome
Qty / Box : 4

FINISHES



ADS22 - Ceiling Mounted Shower Set (Ø300-Ceiling Outlet)

- Concealed shower head with rain flow (Ø300) (stainless)
- Ceiling space 300 mm
- Brass pipe group
- Installation dimension G 1/2"

Surface : Chrome
Qty / Box : 4

** Colors on PVD and black coated products may differ slightly from the original due to studio shooting.

* Minimum quantities for options in the palette colors are determined by our sales team.
* Gül Pres Döküm San. A.Ş. reserves the right to make changes in products and technical details.



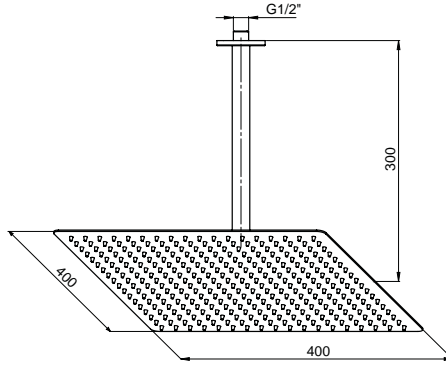
SHOWER HEADS



FINISHES



Black



ADS23 - Ceiling Mounted Shower Set (400x400 mm -Ceiling Outlet)

- Concealed shower head with rain flow (400x400 mm) (stainless)
- Ceiling space 300 mm
- Brass pipe group
- Installation dimension G 1/2"

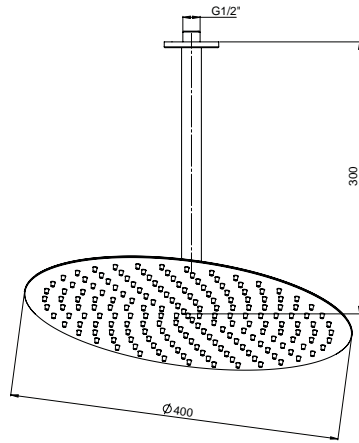
Surface : Chrome
Qty / Box : 4



FINISHES



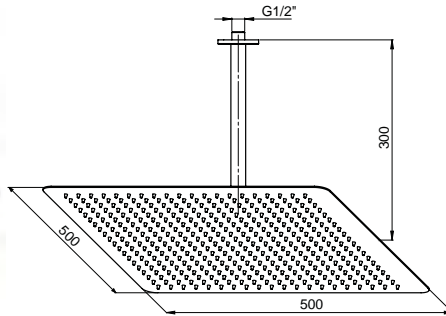
Black



ADS24 - Ceiling Mounted Shower Set (Ø400-Ceiling Outlet)

- Concealed shower head with rain flow (ø400) (stainless)
- Ceiling space 300 mm
- Brass pipe group
- Installation dimension G 1/2"

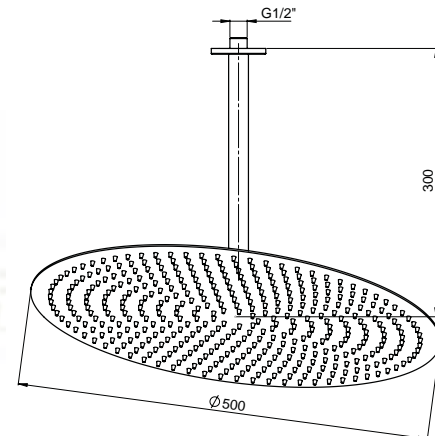
Surface : Chrome
Qty / Box : 4



ADS25 - Ceiling Mounted Shower Set (500x500 mm -Ceiling Outlet)

- Concealed shower head with rain flow (500x500 mm) (stainless)
- Ceiling space 300 mm
- Brass pipe group
- Installation dimension G 1/2"

Surface : Chrome
Qty / Box : 4



ADS26 - Ceiling Mounted Shower Set (Ø500-Ceiling Outlet)

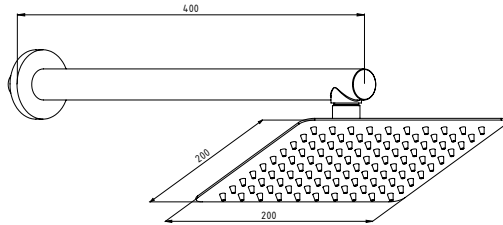
- Concealed shower head with rain flow (ø500) (stainless)
- Ceiling space 300 mm
- Brass pipe group
- Installation dimension G 1/2"

Surface : Chrome
Qty / Box : 4

SHOWER HEADS



RENEWED



FINISHES

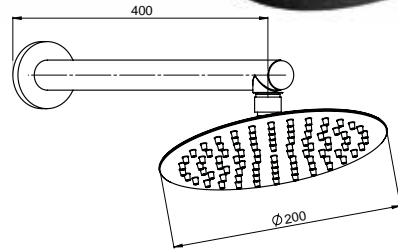
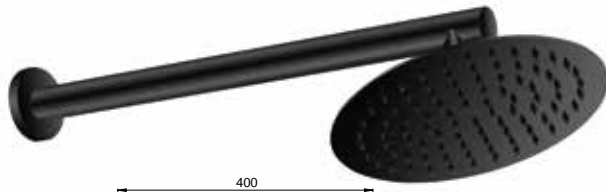


Gold Rose Gold

ADS27-S - Wall Mounted Shower Set (200x200 mm -Wall Outlet)

- Concealed shower head with rain flow (200x200 mm) (stainless)
- Bend distance 400 mm
- Brass pipe group
- Installation dimension G 1/2"

Surface : Black
Qty / Box : 4



FINISHES



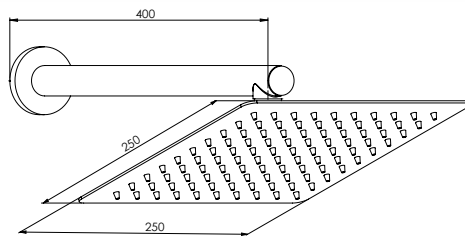
Gold Rose Gold

ADS28-S - Wall Mounted Shower Set (Ø200-Wall Outlet)

- Concealed shower head with rain flow (ø200) (stainless)
- Bend distance 400 mm
- Brass pipe group
- Installation dimension G 1/2"

Surface : Black
Qty / Box : 4

RENEWED



FINISHES

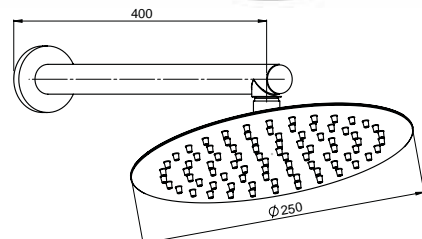


Gold Rose Gold

ADS29-S - Wall Mounted Shower Set (250x250 mm -Wall Outlet)

- Concealed shower head with rain flow (250x250 mm) (stainless)
- Bend distance 400 mm
- Brass pipe group
- Installation dimension G 1/2"

Surface : Black
Qty / Box : 4



FINISHES



Gold Rose Gold

ADS30-S - Wall Mounted Shower Set (Ø250-Wall Outlet)

- Concealed shower head with rain flow (ø250) (stainless)
- Bend distance 400 mm
- Brass pipe group
- Installation dimension G 1/2"

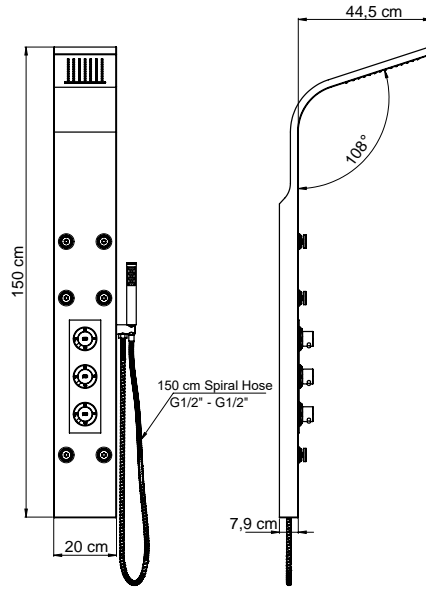
Surface : Black
Qty / Box : 4

** Colors on PVD and black coated products may differ slightly from the original due to studio shooting.

* Minimum quantities for options in the palette colors are determined by our sales team.
* Gül Pres Döküm San. A.Ş. reserves the right to make changes in products and technical details.



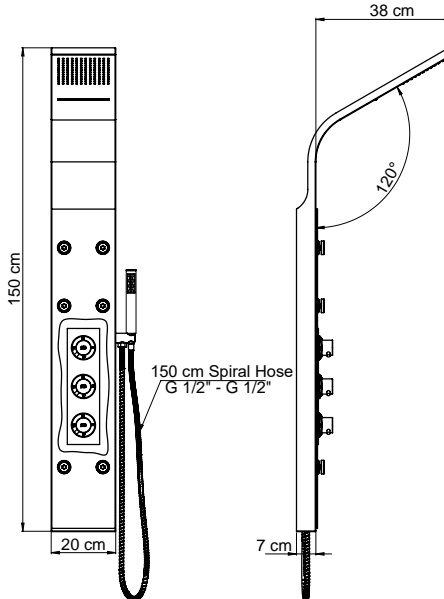
SHOWER PANELS



DSP06 - Shower Panel

- Plating in form of bamboo
- Stainless steel
- Dimensions: 150x20 cm
- Free water flow (waterfall)
- 6 pieces active water jets
- Thermostatic control
- 150 cm spiral hose (1/2" - 1/2")
- Single function hand shower (massage effect, with lime breaker)
- Diverter unit to overhead shower, water jets and hand shower
- Ideal working pressure is 3-4 bar
- To prevent any damage which can be caused by the contaminants inside the fittings, a filter at the entrance of the flat is recommended

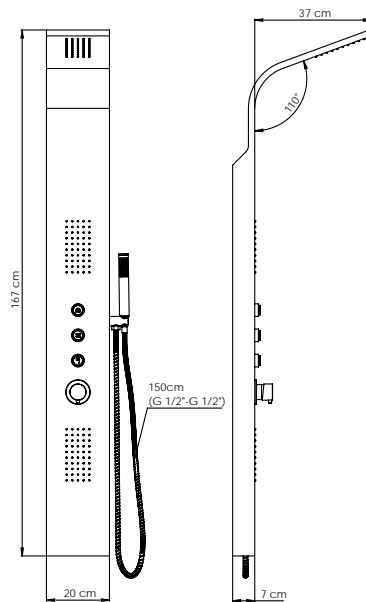
Surface : Bamboo
Qty / Box : 1



DSP07 - Shower Panel

- Glass front panel
- Stainless steel
- Dimensions: 150x20 cm
- Free water flow (waterfall)
- Led lighting behind the control panel
- 6 pieces active water jets
- Thermostatic control
- 150 cm spiral hose (1/2" - 1/2")
- Single function hand shower (massage effect, with lime breaker)
- Diverter unit to overhead shower, water jets and hand shower
- Ideal working pressure is 3-4 bar
- To prevent any damage which can be caused by the contaminants inside the fittings, a filter at the entrance of the flat is recommended

Surface : White + Glass
Qty / Box : 1



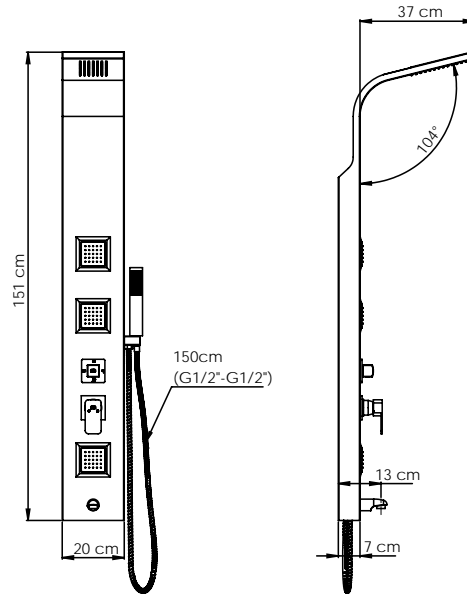
DSP08 - Shower Panel

- Plating in form of inox (anti finger print)
- Stainless steel
- Dimensions: 167x20x7 cm
- 2 pcs 5x10 built-in water jet with silicone lime crusher
- 150 cm spiral hose (1/2" - 1/2")
- Single function hand shower (massage effect, with lime breaker)
- Direction to overhead shower, water jets and hand shower (single or multi button operation)
- Ideal working pressure is 3-4 bar
- To prevent any damage which can be caused by the contaminants inside the fittings, a filter at the entrance of the flat is recommended

Surface : Inox
Qty / Box : 1

** Colors on PVD and black coated products may differ slightly from the original due to studio shooting.

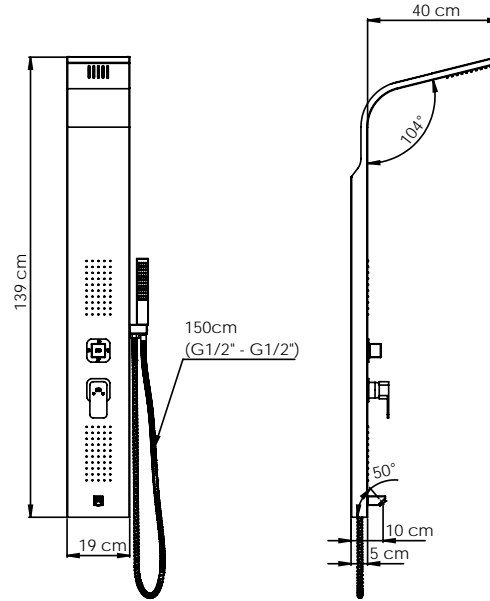
SHOWER PANELS



DSP09 - Shower Panel

- Plating in form of matte black
- Aluminium
- Dimensions: 151x20x7 cm
- 3 pcs 5x5 built-in water jet with silicone lime crusher
- 150 cm spiral hose (1/2" - 1/2")
- Single function hand shower (massage effect, with lime breaker)
- Diverter unit to overhead shower, water jets and hand shower
- Ideal working pressure is 3-4 bar
- To prevent any damage which can be caused by the contaminants inside the fittings, a filter at the entrance of the flat is recommended

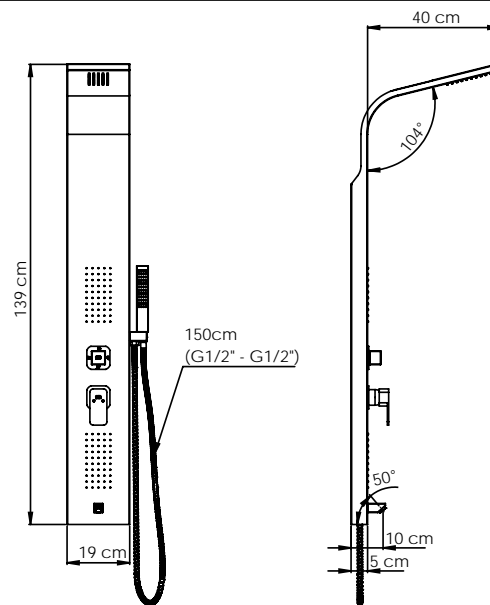
Surface : Aluminium + Black
Qty / Box : 1



DSP10 - Shower Panel

- Plating in form of Rose Gold (PVD)
- Stainless steel
- Dimensions: 139x19x5 cm
- 2 pcs 5x10 built-in water jet with silicone lime crusher
- 150 cm spiral hose (1/2" - 1/2")
- Single function hand shower (massage effect, with lime breaker)
- Diverter unit to overhead shower, water jets and hand shower
- Ideal working pressure is 3-4 bar
- To prevent any damage which can be caused by the contaminants inside the fittings, a filter at the entrance of the flat is recommended

Surface : Rose Gold (PVD Coating)
Qty / Box : 1



DSP11 - Shower Panel

- Plating in form of Gold (PVD)
- Stainless steel
- Dimensions: 139x19x5 cm
- 2 pcs 5x10 built-in water jet with silicone lime crusher
- 150 cm spiral hose (1/2" - 1/2")
- Single function hand shower (massage effect, with lime breaker)
- Diverter unit to overhead shower, water jets and hand shower
- Ideal working pressure is 3-4 bar
- To prevent any damage which can be caused by the contaminants inside the fittings, a filter at the entrance of the flat is recommended

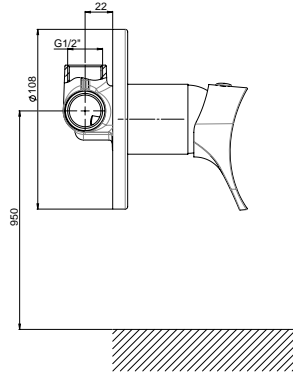
Surface : Gold (PVD Coating)
Qty / Box : 1

** Colors on PVD and black coated products may differ slightly from the original due to studio shooting.

* Minimum quantities for options in the palette colors are determined by our sales team.
* Gül Pres Döküm San. A.Ş. reserves the right to make changes in products and technical details.



SUPPLEMENTARY PRODUCTS

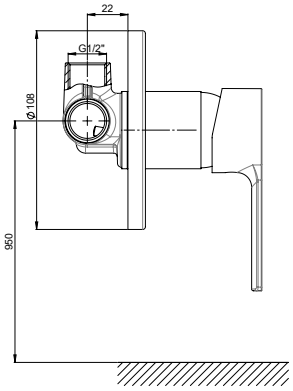


ATB170 - Concealed Toilet Bowl Armature

- Special cartridge with heat and flow adjustment
- In hot and cold water inlet preferred systems
- It can be used in combination with shower outlet bracket (products with DCD code) or spray outlet (STS code products) with GGR04 - GGR05 outlet end in toilet bowls without any water outlet pipe system
- Connection size 1/2" (internal thread)
- Installation is recessed
- Ideal working pressure is 3-4 Bar
- It is recommended to use filter at the entrance of the flat in order to prevent any pollution that may occur in the installation and damage to the armature

Cartridge Diameter : Ø35
Surface : Chrome
Qty / Box : 6

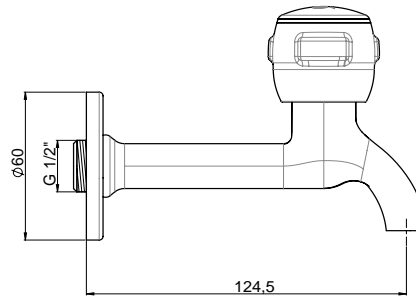
NEW



ATB55 - Concealed Toilet Bowl Armature

- Special cartridge with heat and flow adjustment
- In hot and cold water inlet preferred systems
- It can be used in combination with shower outlet bracket (products with DCD code) or spray outlet (STS code products) with GGR04 - GGR05 outlet end in toilet bowls without any water outlet pipe system
- Connection size 1/2" (internal thread)
- Installation is recessed
- Ideal working pressure is 3-4 Bar
- It is recommended to use filter at the entrance of the flat in order to prevent any pollution that may occur in the installation and damage to the armature

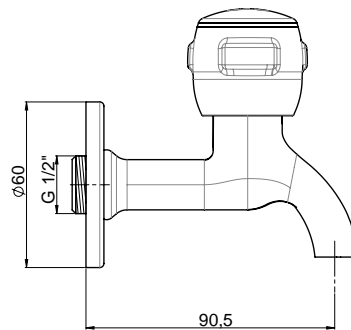
Cartridge Diameter : Ø35
Surface : Chrome
Qty / Box : 6



UMS30 - Rios Long Tap

- 90° ceramic stemmer with turning on/off angle
- Length of outlet is 124,5 mm
- Rosette diameter Ø60 mm
- Tap wall connection dimension is 1/2"
- Ideal working pressure is 3-4 Bar
- It is recommended to use filter at the entrance of the flat in order to prevent any pollution that may occur in the installation and damage to the armature

Surface : Chrome
Qty / Box : 50



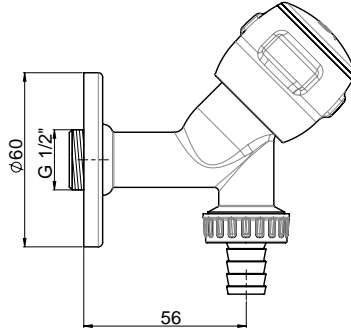
KMS30 - Rios Short Tap

- 90° ceramic stemmer with turning on/off angle
- Length of outlet is 90,5 mm
- Rosette diameter Ø60 mm
- Tap wall connection dimension is 1/2"
- Ideal working pressure is 3-4 Bar
- It is recommended to use filter at the entrance of the flat in order to prevent any pollution that may occur in the installation and damage to the armature

Surface : Chrome
Qty / Box : 50



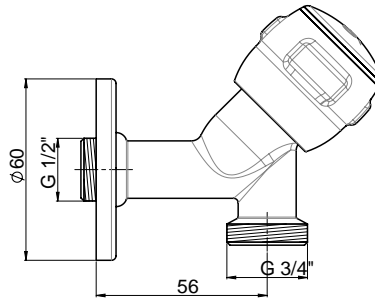
CMS30 - Rios Laundry Tap



- 90° ceramic stemmer with turning on/off angle
- Length of outlet is 56 mm
- Rosette diameter $\phi 60$ mm
- Tap-wall connection dimension is 1/2"
- Ideal working pressure is 3-4 Bar
- It is recommended to use filter at the entrance of the flat in order to prevent any pollution that may occur in the installation and damage to the armature

Surface : Chrome
Qty / Box : 50

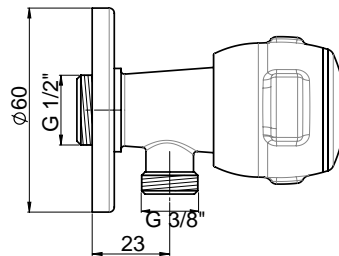
CMS30-2 - Rios Laundry Tap (Without Union)



- 90° ceramic stemmer with turning on/off angle
- Length of outlet is 56 mm
- Rosette diameter $\phi 60$ mm
- Tap-wall connection dimension is 1/2"
- Ideal working pressure is 3-4 Bar
- It is recommended to use filter at the entrance of the flat in order to prevent any pollution that may occur in the installation and damage to the armature

Surface : Chrome
Qty / Box : 50

TMS30 - Rios Interval Tap



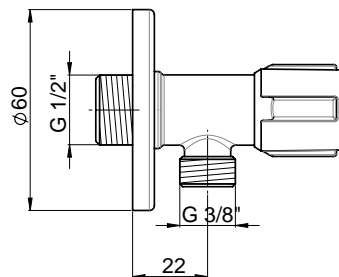
- 90° ceramic stemmer with turning on/off angle
- Rosette diameter $\phi 60$ mm
- Tap-wall connection dimension is 3/8"
- Ideal working pressure is 3-4 Bar
- It is recommended to use filter at the entrance of the flat in order to prevent any pollution that may occur in the installation and damage to the armature

TMS30-2 - Rios Interval Tap

- 90° ceramic stemmer with turning on/off angle
- Rosette diameter $\phi 60$ mm
- Tap-wall connection dimension is 1/2"
- Ideal working pressure is 3-4 Bar
- It is recommended to use filter at the entrance of the flat in order to prevent any pollution that may occur in the installation and damage to the armature

Surface : Chrome
Qty / Box : 50

TMS01 - Interval Tap



- 90° ceramic stemmer with turning on/off angle
- Rosette diameter $\phi 60$ mm
- Suitable size for 3/8" connection
- Tap wall connection size is 1/2"

TMS01-2 - Interval Tap

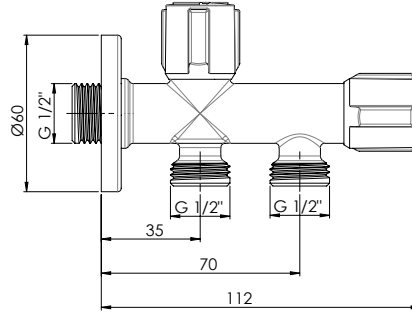
- 90° ceramic stemmer with turning on/off angle
- Rosette diameter $\phi 60$ mm
- Suitable size for 1/2" connection
- Tap wall connection size is 1/2"

Surface : Chrome
Qty / Box : 100



SUPPLEMENTARY PRODUCTS

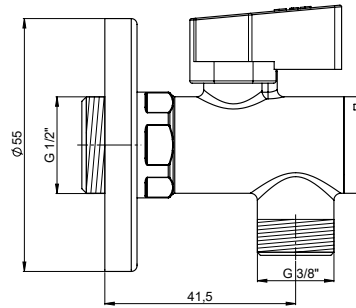
NEW



CTM01 - Double Interval Tap

- Double Outlet Interval Tap
- 90° ceramic stemmer
- Rosette diameter Ø60
- Size suitable for 1/2" connection
- Tap wall connection size is 1/2"

Surface : Chrome
Qty / Box : 32



FKM01 - Filtered Interval Tap

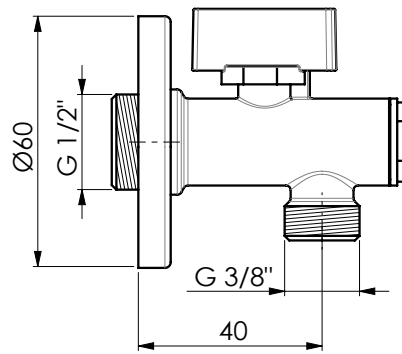
- Spherical turning on/off
- Rosette diameter ø55 mm
- Suitable size for 3/8" connection
- Tap wall connection size is 1/2"

FKM01-2 - Filtered Interval Tap

- Spherical turning on/off
- Rosette diameter ø60 mm
- Suitable size for 1/2" connection
- Tap wall connection size is 1/2"

Surface : Chrome
Qty / Box : 100

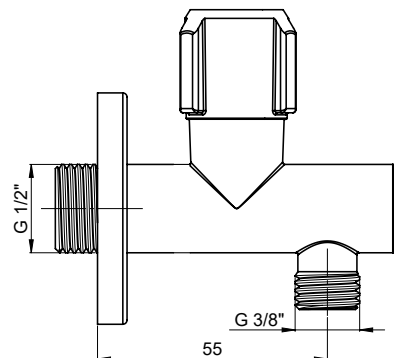
REVISED



FK01 - Filtered Interval Tap

- Filtered
- Spherical turning on / off
- Rosette diameter is ø60
- 3/8" flexible hose connection
- Tap wall connection is dimension 1/2"
- Nickel plated grainy surface

Surface : Nickel
Qty / Box : 100



FKM03 - Filtered Interval Tap (Ceramic Stemmer)

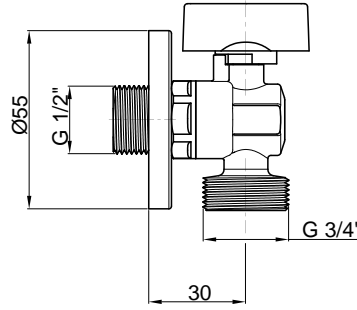
- 90° ceramic stemmer with turning on/off angle
- Rosette diameter ø55 mm
- The cap for cleaning the filter can be opened easily by using the coin shape slot on the cap
- Suitable size for 3/8" connection
- Tap wall connection size is 1/2"

Surface : Chrome
Qty / Box : 50

SUPPLEMENTARY PRODUCTS



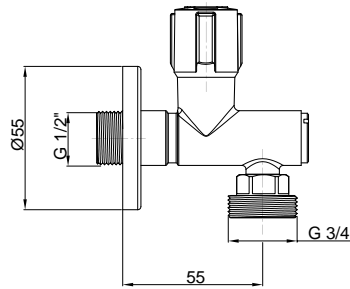
CM02 - Ball Laundry Tap



- Ball type turning on/off
- Rosette diameter is 55 mm
- Suitable size for 3/4" connection
- Tap wall connection size is 1/2"

Surface : Chrome
Qty / Box : 100

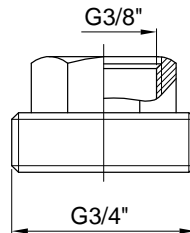
CMS03 - Filtered Laundry Tap



- 90° ceramic stemmer with turning on/off angle
- Rosette diameter ø55 mm
- Suitable size for 3/8" connection
- Tap wall connection size is 1/2"
- Can be reverted to 3/8" by removing 3/4" adaptor

Surface : Chrome
Qty / Box : 50

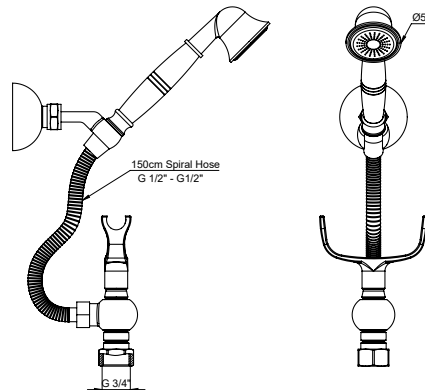
RDK07 - Laundry Tap Reduction



- It provides for all types of interval taps to be used as laundry tap.
- This product is compatible with GPD products listed below.
- TMS01, TMS05, TMS30, TMS70, FKM01, FKM03

Surface : Chrome
Qty / Box : 100

DST70-B - Spiral Set



- Adjustable jointed hand shower hanger
- Hanger of armature connection is included
- Brass spiral hose 150 cm (with hand shower)
- Special surface plating, in form of copper

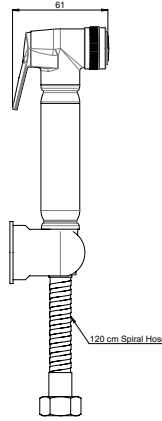
Surface : Copper Oxide Coating
Qty / Box : 4

** Colors on PVD and black coated products may differ slightly from the original due to studio shooting.

* Minimum quantities for options in the palette colors are determined by our sales team.
* Gül Pres Döküm San. A.Ş. reserves the right to make changes in products and technical details.



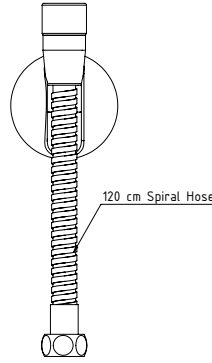
SUPPLEMENTARY PRODUCTS



STS01 - Spray Bidet Set

- Ergonomic design for the spray hand shower
- System, which provides flow of water when the button on hand shower is pressed
- with 3/8" - 1/2" adaptor
- 120 cm spiral hose
- Water outlet can be obtained from hand shower by adapting it on the systems that do not have interval tap

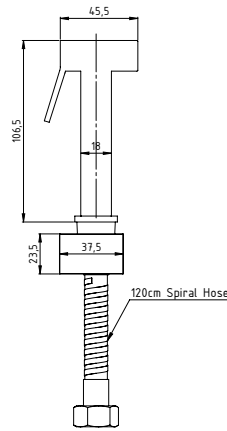
Surface : Chrome
Qty / Box : 20



STS02 - Spiral Bidet Set

- M24x1 aerator
- 120 cm spiral hose
- with 3/8" - 1/2" adaptor

Surface : Chrome
Qty / Box : 20



STS03 - Spray Bidet Set (Brass Square Shape, without reduction)

- Brass handshower and hanger
- Stainless steel spiral hose 120 cm
- Water outlet can be obtained from hand shower by adapting it on the systems taht do not have interval tap

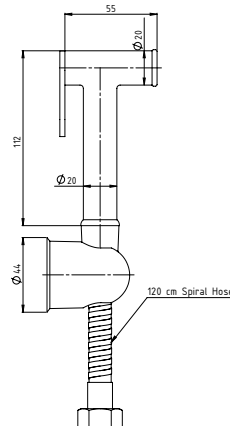
Surface : Chrome
Qty / Box : 20

FINISHES



Gold

Black



STS04 - Spray Bidet Set (Brass Round Shape, without reduction)

- Brass handshower and hanger
- Stainless steel spiral hose 120 cm
- Water outlet can be obtained from hand shower by adapting it on the systems taht do not have interval tap

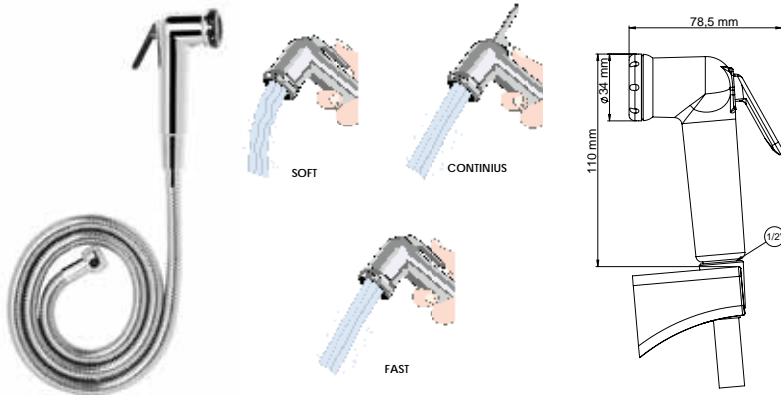
Surface : Chrome
Qty / Box : 20

FINISHES



Gold

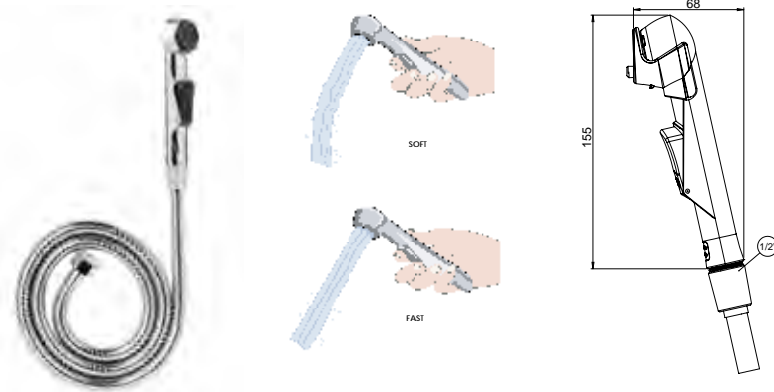
SUPPLEMENTARY PRODUCTS



STS05 - Spray Bidet Set

- 360° rotating hose structure
- Spiral hose 120 cm (1/2" - 1/2")
- Can be converted to 1/2" or 3/8" (with reduction)
- Continuous flow capability when the latch is pushed counterclockwise
- Slow and fast flow

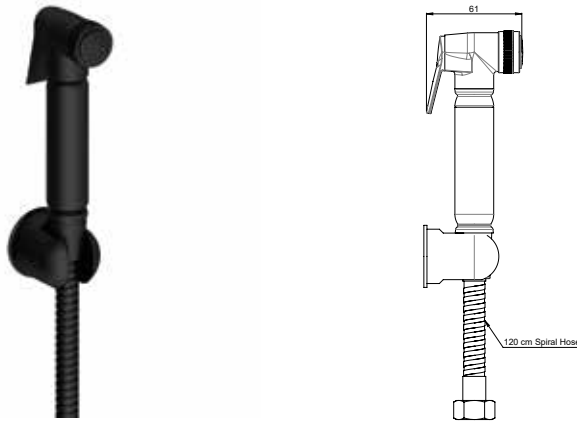
Surface : Chrome
Qty / Box : 20



STS06 - Spray Bidet Set

- 360° rotating hose structure
- Spiral hose 120 cm (1/2" - 1/2")
- Can be converted to 1/2" or 3/8" (with reduction)
- Non-drip thanks to check valve feature
- Continuous flow capability when the latch is pushed counterclockwise
- Slow and fast flow
- Ergonomic hand shower design with palm control

Surface : Chrome
Qty / Box : 20

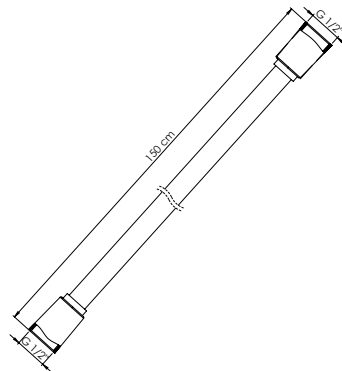


STS07-S - Spray Bidet Set

- Brass handshower
- System, which provides flow of water when the button on hand shower is pressed
- with 3/8" - 1/2" adaptor
- 120 cm spiral hose
- Water outlet can be obtained from hand shower by adapting it on the systems that do not have interval tap

Surface : Black
Qty / Box : 20

NEW



HOR212 - PVC Hose

- 150 cm
- G 1/2"-G 1/2"
- Inflexible, anti twist protection
- Suitable for all Shower Sets, hand showers and mixers

Surface : Silver
Qty / Box : 50

** Colors on PVD and black coated products may differ slightly from the original due to studio shooting.

* Minimum quantities for options in the palette colors are determined by our sales team.
* Gül Pres Döküm San. A.Ş. reserves the right to make changes in products and technical details.

SUPPLEMENTARY PRODUCTS



PUP06 - Pop-Up Unit (Click-Clack)



FINISHES
Black

- Suitable with washbasins with overflow holes.
- G 1 1/4" connection

Surface : Chrome
Qty / Box : 50

NEW

PUP09 - Pop-Up Unit (Click-Clack)

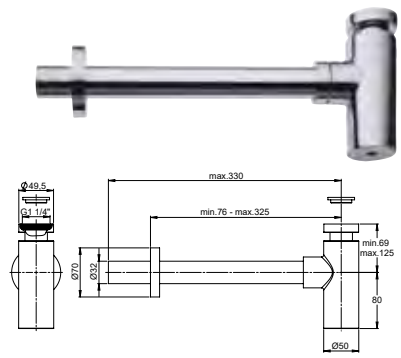


FINISHES
Black Gold

- Suitable with washbasins with overflow holes.
- G 1 1/4" connection

Surface : Chrome
Qty / Box : 50

SFN01 - Trap



- G 1 1/4" entrance
- Metal handbasin
- Between washbasin trap center and wall is minimum 76 maximum 325 mm
- Suitability of the sizes to the washbasin, has to be checked
- Suitable with PUP01, PUP02, PUP03, PUP04, PUP05, PUP06 and PUP09

Surface : Chrome
Qty / Box : 10

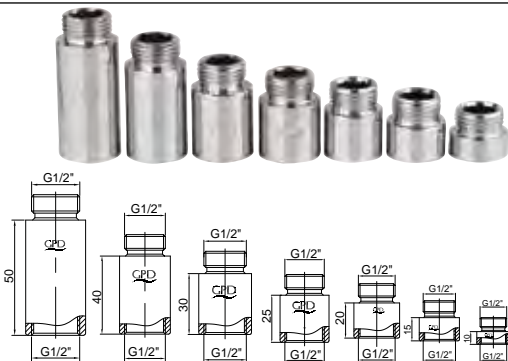
ASK017 - Square Hanger



FINISHES
Black

- Square hanger for hand shower

Extension Group




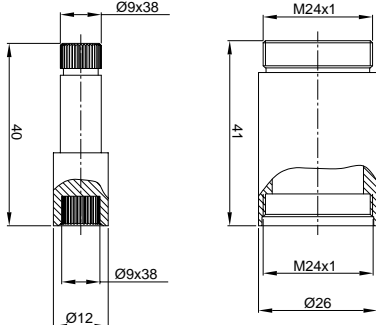

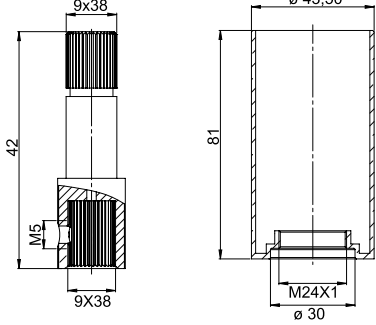

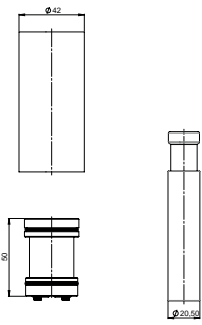

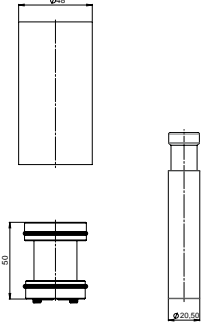
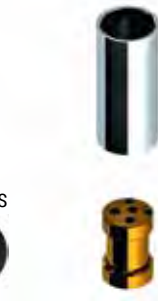
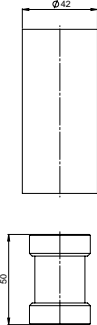
- UZT01
- UZT02
- UZT03
- UZT04
- UZT05
- UZT06
- UZT07

	Qty / Box
1 cm Extension	400
1,5 cm Extension	400
2 cm Extension	300
2,5 cm Extension	300
3 cm Extension	200
4 cm Extension	180
5 cm Extension	150

Surface : Chrome



SUPPLEMENTARY PRODUCTS

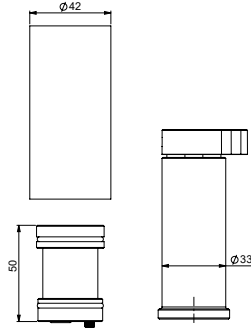
 <p>FINISHES</p> <p>Black Gold Copper Oxide</p>		<p>AUG01 - Concealed Interval Stop Extension Group</p> <ul style="list-style-type: none"> Extension rod and cone for concealed stop valve (for AAK70 / AAK05 models) Extension size 3 cm <p>Surface : Chrome Qty / Box : 15</p>
 <p>FINISHES</p> <p>Black Gold</p>		<p>AUG02 - Concealed Interval Stop Extension Group</p> <ul style="list-style-type: none"> Extension rod and cone for concealed stop valve (for AAK71 / AAK72 models) Extension size 3 cm <p>Surface : Chrome Qty / Box : 15</p>
 <p>FINISHES</p> <p>Black</p>		<p>AUG03 - Concealed Bathroom, Cabin Extension Group (ø35)</p> <ul style="list-style-type: none"> Fully Concealed Bathroom, Concealed Bathroom and Concealed Cabin Armature extension group (for ø35 round concealed products) Extension size 5 cm <p>Surface : Chrome Qty / Box : 15</p>
 <p>FINISHES</p> <p>Black</p>		<p>AUG04 - Concealed Bathroom, Cabin Extension Group (ø40)</p> <ul style="list-style-type: none"> Fully Concealed Bathroom, Concealed Bathroom and Concealed Cabin Armature extension group (for ø40 round concealed products / MTA70, MAB70, MKB70) Extension size 5 cm <p>Surface : Chrome Qty / Box : 15</p>
 <p>FINISHES</p> <p>Black</p>		<p>AUG05 - Concealed Shower Extension Group</p> <ul style="list-style-type: none"> Concealed Shower Armature extension group (for all round concealed shower products) Extension size 5 cm <p>Surface : Chrome Qty / Box : 15</p>

SUPPLEMENTARY PRODUCTS



NEW

FINISHES



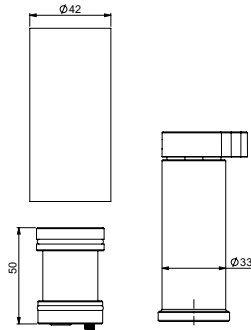
AUG09 - Concealed Interval Stop Extension Group

- Extension rod and cone for concealed stop valve (for MCA55, MCA65, MCA70, MCA75)
- Extension size 5 cm

Surface : Chrome
Qty / Box : 15

NEW

FINISHES



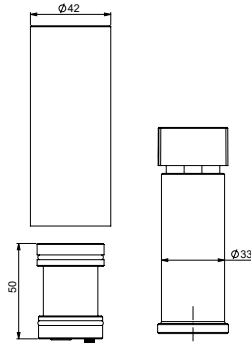
AUG10 - Concealed Interval Stop Extension Group

- Extension rod and cone for concealed stop valve (for MCA165, MCA195)
- Extension size 5 cm

Surface : Chrome
Qty / Box : 15

NEW

FINISHES



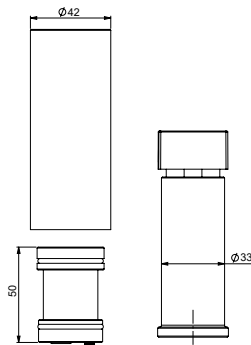
AUG11 - Concealed Interval Stop Extension Group

- Extension rod and cone for concealed stop valve (for MCA190)
- Extension size 5 cm

Surface : Chrome
Qty / Box : 15

NEW

FINISHES



AUG12 - Concealed Interval Stop Extension Group

- Extension rod and cone for concealed stop valve (for MCA85, MCA135, MCA155, MCA160)
- Extension size 5 cm

Surface : Chrome
Qty / Box : 15

TMZ01 - Cleaner and Polishing for Armature









- Resolving lime
- Making extra shine
- Does not harm the armature
- Delaying the calcification

Qty / Box : 20



INDUSTRIAL PRODUCTS

	Product Code	Product Name	Diameter	Surface	Qty/Box
 TS EN 13547	KRS240	Ball Valve (PN25-B)	1/2"	Nickel	80
	KRS241	Ball Valve (PN25-B)	3/4"	Nickel	50
	KRS242	Ball Valve (PN25-B)	1"	Nickel	35
	KRS243	Ball Valve (PN25-B)	1 1/4"	Nickel	20
	KRS244	Ball Valve (PN25-B)	1 1/2"	Nickel	10
	KRS245	Ball Valve (PN25-B)	2"	Nickel	10
	KRS246	Ball Valve (PN25-B)	2 1/2"	Nickel	6
	KRS247	Ball Valve (PN25-B)	3"	Nickel	4
	KRS248	Ball Valve (PN25-B)	4"	Nickel	2
		KRS15	Mini Ball Valve (m-f)	1/2"	Nickel
	KRS49	Ball Tap with Trunk Union (Steel Handle)	1/2"	Nickel	50
	KRS58	Ball Tap with Trunk Union (Steel Handle)	3/4"	Nickel	35
 TS EN 12288	SBR21	Gate Valve	1/2"	Brass	50
	SBR22	Gate Valve	3/4"	Brass	50
	SBR23	Gate Valve	1"	Brass	35
	SBR24	Gate Valve	1 1/4"	Brass	15
	SBR25	Gate Valve	1 1/2"	Brass	15
	SBR26	Gate Valve	2"	Brass	10
	SBR27	Gate Valve	2 1/2"	Brass	6
	SBR28	Gate Valve	3"	Brass	4
 TS 15 EN 1213	STP01	Stop Valve	1/2"	Brass	70
	STP02	Stop Valve	3/4"	Brass	50
	STP03	Stop Valve	1"	Brass	25
	STP04	Stop Valve	1 1/4"	Brass	15
	STP05	Stop Valve	1 1/2"	Brass	15
	STP06	Stop Valve	2"	Brass	10
 TS 15 EN 1213	KSV21	Blow-Off Valve	1/2"	Brass	50
	KSV22	Blow-Off Valve	3/4"	Brass	30
	KSV23	Blow-Off Valve	1"	Brass	20
	KSV24	Blow-Off Valve	1 1/4"	Brass	12
	KSV25	Blow-Off Valve	1 1/2"	Brass	8
	KSV26	Blow-Off Valve	2"	Brass	4

INDUSTRIAL PRODUCTS



Product Code	Product Name	Diameter	Surface	Qty/Box
FLT01	Filter	1/2"	Brass	70
FLT02	Filter	3/4"	Brass	60
FLT03	Filter	1"	Brass	40
FLT04	Filter	1 1/4"	Brass	20
FLT05	Filter	1 1/2"	Brass	15
FLT06	Filter	2"	Brass	10



TS 579

RDY03	Angle Radiator Valve	1/2"	Nickel	50
-------	----------------------	------	--------	----



RDY25	Angle Radiator Valve (Pex)	1/2"	Nickel	50
-------	----------------------------	------	--------	----



TS EN 1567

REG01	Water Pressure Regulator (with Union)	1/2"	Nickel	14
REG02	Water Pressure Regulator (with Union)	3/4"	Nickel	14
REG05	Water Pressure Regulator (with Union)	1"	Nickel	14
REG07	Water Pressure Regulator (with Union)	1 1/4"	Nickel	14



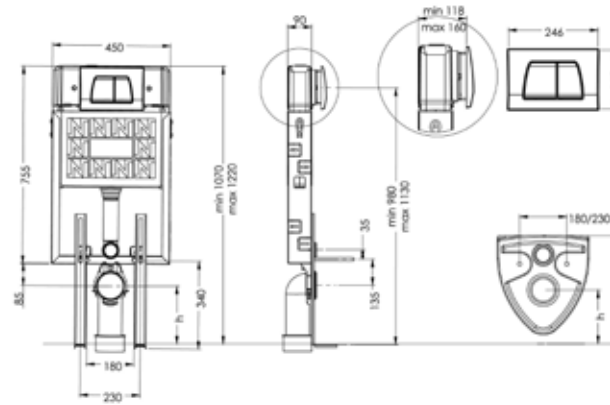
TS EN 1567

REG03	Water Pressure Regulator (F-F Threaded)	1/2"	Nickel	14
REG04	Water Pressure Regulator (F-F Threaded)	3/4"	Nickel	14
REG06	Water Pressure Regulator (without Union)	1"	Nickel	14
REG08	Water Pressure Regulator (without Union)	1 1/4"	Nickel	14

PLASTIC PRODUCTS



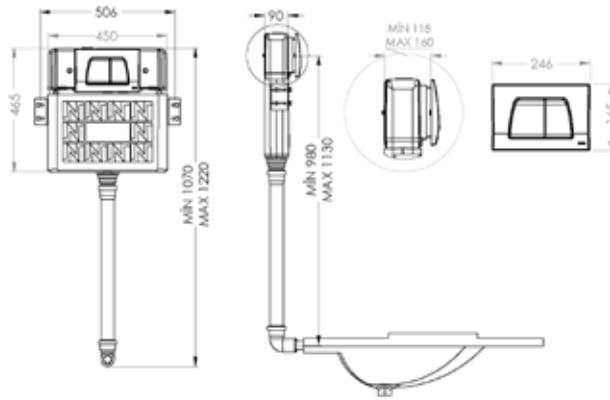
RZV01 - Concealed Mechanism



RZV01 - Concealed Mechanism

- 3/6 It, 9 cm Width, Silent nad Quick Refill asy Installation

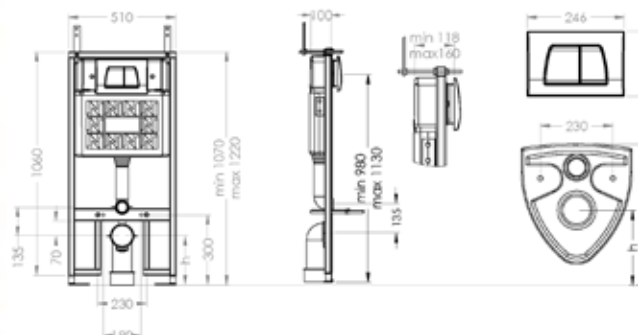
Qty / Box : 1



RZV02 - Concealed Mechanism

- 3/6 It, 9 cm Widht, Silent and Quick Refill Easy Installation

Qty / Box : 1



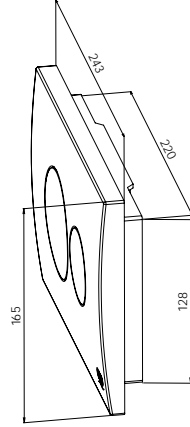
RZV03 - Concealed Mechanism

- 3/6 It, Metal Frame, Silent and Quick Refill Easy Installation

Qty / Box : 1



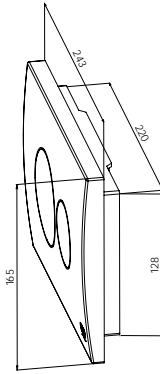
BTN01 - Round Grey Button



- Round Grey Button

Qty / Box : 20

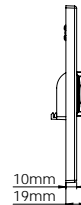
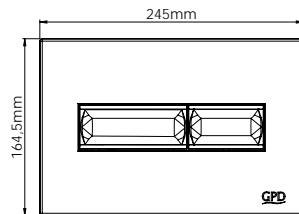
BTN02 - Round Chrome Button



- Round Chrome Button

Qty / Box : 20

BTN05 - Square Grey Button



- Square Grey Button

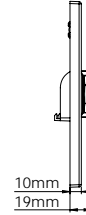
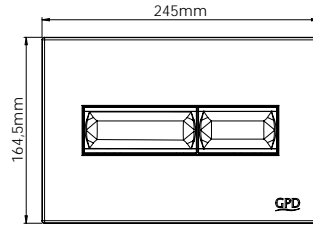
Qty / Box : 25

** Colors on PVD and black coated products may differ slightly from the original due to studio shooting.



BTN06 - Square Chrome Button

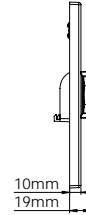
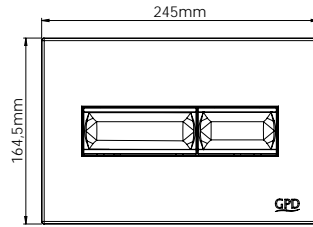
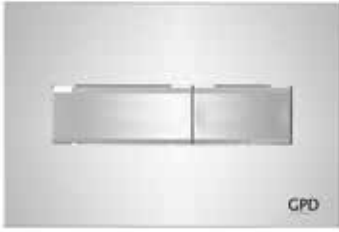
- Square Chrome Button



Qty / Box : 25

BTN07 - Square White Button

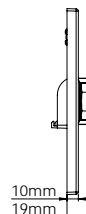
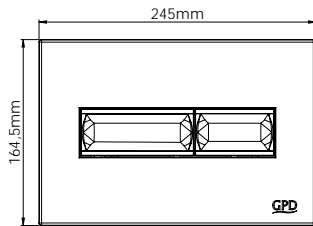
- Square White Button



Qty / Box : 25

BTN08 - Square Black Button

- Square Black Button



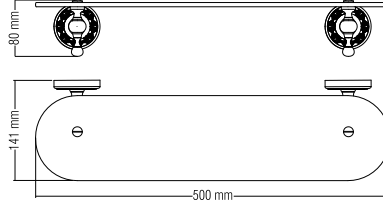
Qty / Box : 25

** Colors on PVD and black coated products may differ slightly from the original due to studio shooting.

* Minimum quantities for options in the palette colors are determined by our sales team.
* Gül Pres Döküm San. A.Ş. reserves the right to make changes in products and technical details.

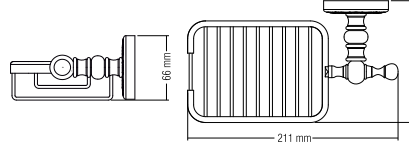
BATHROOM ACCESSORIES PRODUCTS

TAURO



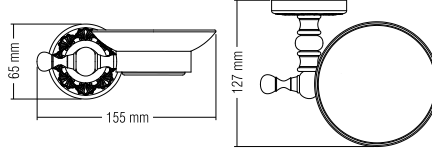
AET150-AS Shelf

Surface : Gold
Qty / Box : 10



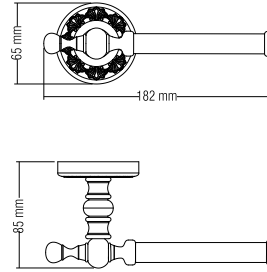
ARS150-AS Wall Mounted Sponge Holder

Surface : Gold
Qty / Box : 10



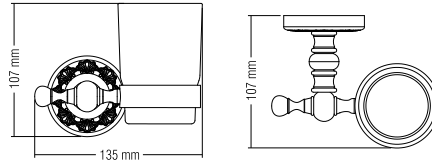
ASB150-AS Soap Dish

Surface : Gold
Qty / Box : 10



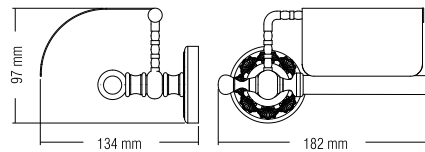
AKT150-AS Toilet Paper Holder

Surface : Gold
Qty / Box : 10



ADF150-AS Tumbler Holder

Surface : Gold
Qty / Box : 10



AKK150-AS Toilet Paper Holder With Cover

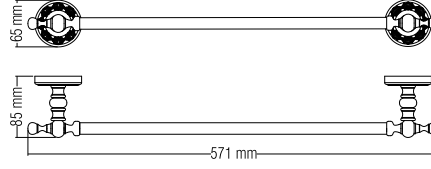
Surface : Gold
Qty / Box : 10

* Special coated products are gold, antique and antique copper looking

BATHROOM ACCESSORIES PRODUCTS

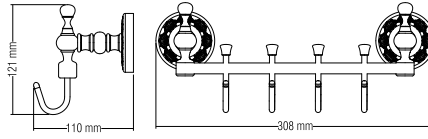
TAURO

[AUH150-AS Long Towel Holder](#)



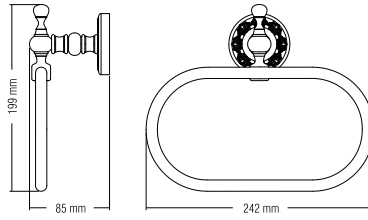
Surface : Gold
Qty / Box : 10

[ASA150-AS Hook Set](#)



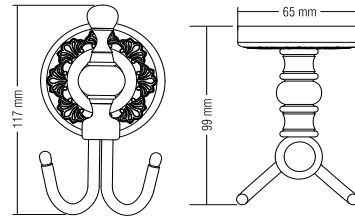
Surface : Gold
Qty / Box : 10

[AYH150-AS Ring Towel Bar](#)



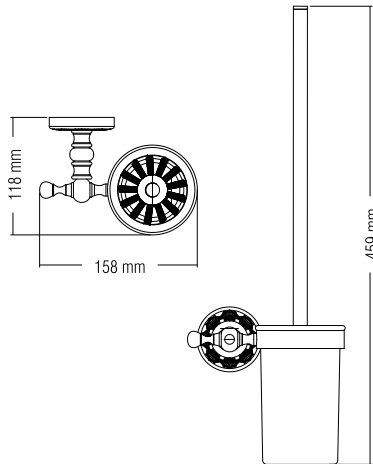
Surface : Gold
Qty / Box : 10

[ACA150-AS Double Hook](#)



Surface : Gold
Qty / Box : 10

[AKF150-AS Toilet Brush Holder](#)



Surface : Gold
Qty / Box : 10

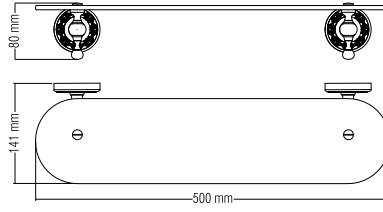
* Special coated products are gold, antique and antique copper looking

* Minimum quantities for options in the palette colors are determined by our sales team.

* Gül Pres Döküm San. A.Ş. reserves the right to make changes in products and technical details.

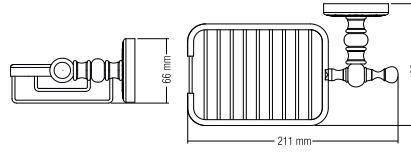
BATHROOM ACCESSORIES PRODUCTS

TAURO



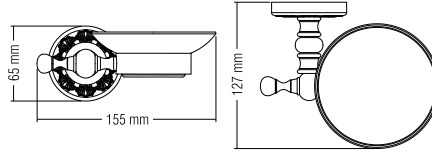
AET150-SO Shelf

Surface : Antique
Qty / Box : 10



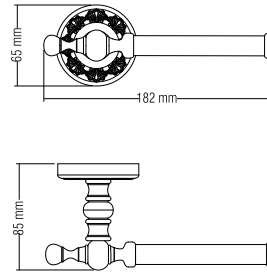
ARS150-SO Wall Mounted Sponge Holder

Surface : Antique
Qty / Box : 10



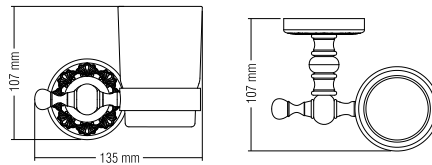
ASB150-SO Soap Dish

Surface : Antique
Qty / Box : 10



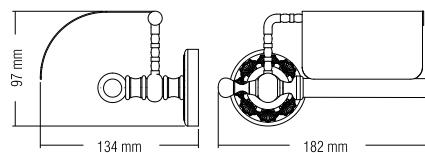
AKT150-SO Toilet Paper Holder

Surface : Antique
Qty / Box : 10



ADF150-SO Tumbler Holder

Surface : Antique
Qty / Box : 10



AKK150-SO Toilet Paper Holder With Cover

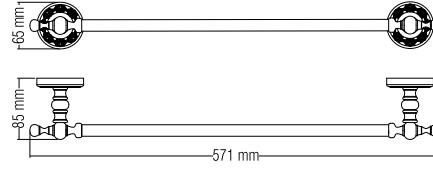
Surface : Antique
Qty / Box : 10

* Special coated products are gold, antique and antique copper looking

BATHROOM ACCESSORIES PRODUCTS

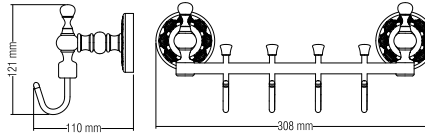
TAURO

[AUH150-S0 Long Towel Holder](#)



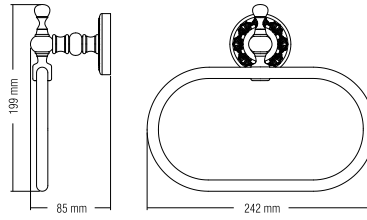
Surface : Antique
Qty / Box : 10

[ASA150-S0 Hook Set](#)



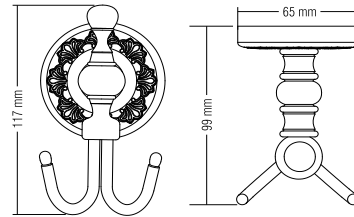
Surface : Antique
Qty / Box : 10

[AYH150-S0 Ring Towel Bar](#)



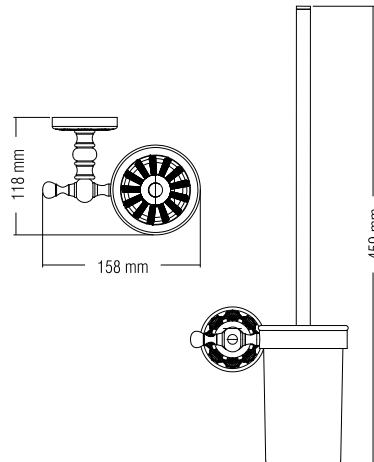
Surface : Antique
Qty / Box : 10

[ACA150-S0 Double Hook](#)



Surface : Antique
Qty / Box : 10

[AKF150-S0 Toilet Brush Holder](#)



Surface : Antique
Qty / Box : 10

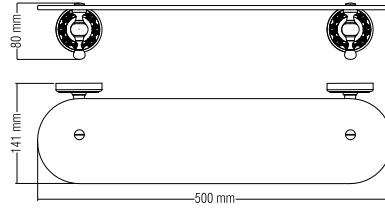
* Special coated products are gold, antique and antique copper looking

* Minimum quantities for options in the palette colors are determined by our sales team.

* Gül Pres Döküm San. A.Ş. reserves the right to make changes in products and technical details.

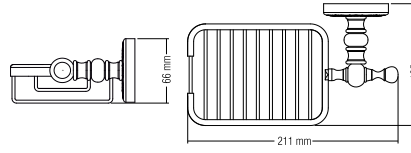
BATHROOM ACCESSORIES PRODUCTS

TAURO



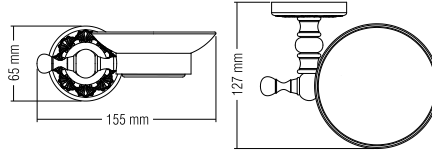
AET150-BO Shelf

Surface : Antique Copper
Qty / Box : 10



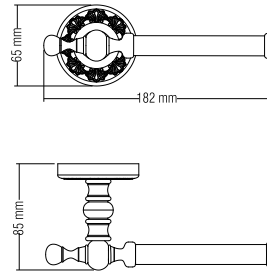
ARS150-BO Wall Mounted Sponge Holder

Surface : Antique Copper
Qty / Box : 10



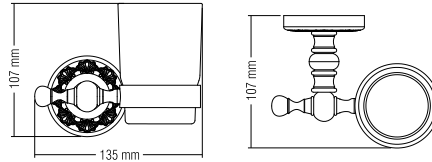
ASB150-BO Soap Dish

Surface : Antique Copper
Qty / Box : 10



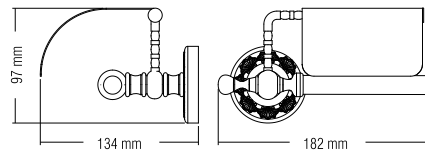
AKT150-BO Toilet Paper Holder

Surface : Antique Copper
Qty / Box : 10



ADF150-BO Tumbler Holder

Surface : Antique Copper
Qty / Box : 10



AKK150-BO Toilet Paper Holder With Cover

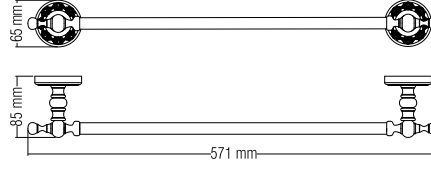
Surface : Antique Copper
Qty / Box : 10

* Special coated products are gold, antique and antique copper looking

BATHROOM ACCESSORIES PRODUCTS

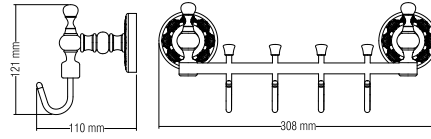
TAURO

[AUH150-B0 Long Towel Holder](#)



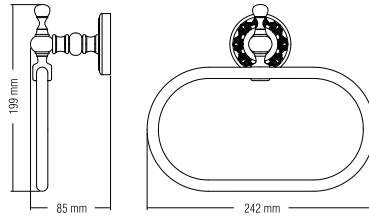
Surface : Antique Copper
Qty / Box : 10

[ASA150-B0 Hook Set](#)



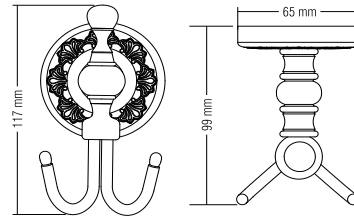
Surface : Antique Copper
Qty / Box : 10

[AYH150-B0 Ring Towel Bar](#)



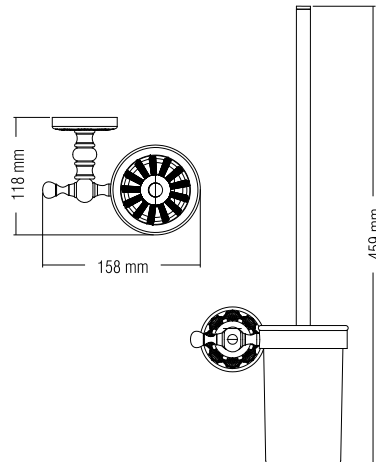
Surface : Antique Copper
Qty / Box : 10

[ACA150-B0 Double Hook](#)



Surface : Antique Copper
Qty / Box : 10

[AKF150-B0 Toilet Brush Holder](#)



Surface : Antique Copper
Qty / Box : 10

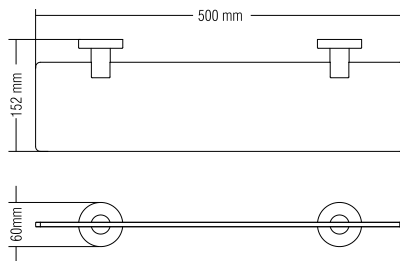
* Special coated products are gold, antique and antique copper looking

* Minimum quantities for options in the palette colors are determined by our sales team.

* Gül Pres Döküm San. A.Ş. reserves the right to make changes in products and technical details.

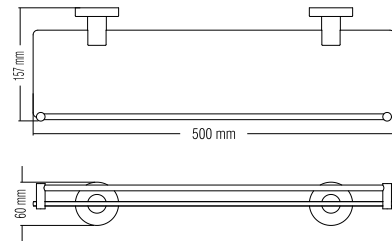
BATHROOM ACCESSORIES PRODUCTS

ATROS



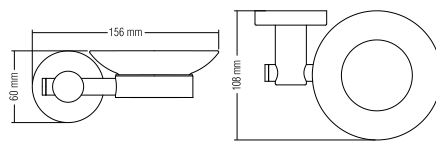
AET65 - Shelf

Surface : Chrome
Qty / Box : 10



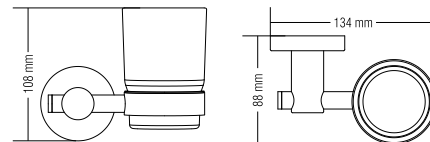
AET65_1 - Shelf

Surface : Chrome
Qty / Box : 10



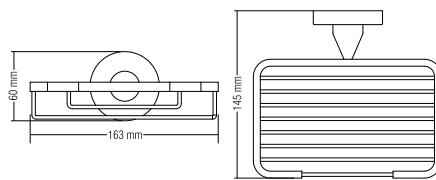
ASB65 - Soap Dish

Surface : Chrome
Qty / Box : 10



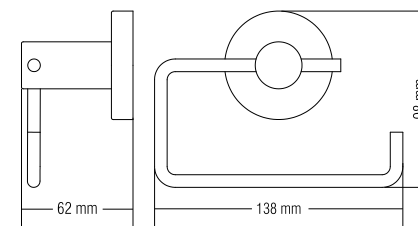
ADF65 - Tumbler Holder

Surface : Chrome
Qty / Box : 10



ARS65 - Wall Mounted Sponge Holder

Surface : Chrome
Qty / Box : 10



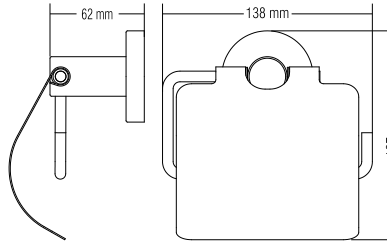
AKT65 - Toilet Paper Holder

Surface : Chrome
Qty / Box : 10

BATHROOM ACCESSORIES PRODUCTS

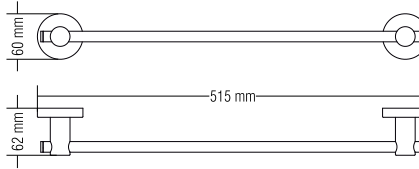
ATROS

[AKK65 - Toilet Paper Holder With Cover](#)



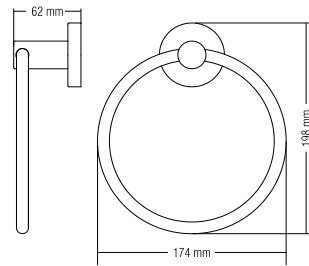
Surface : Chrome
Qty / Box : 10

[AUH65 - Long Towel Holder](#)



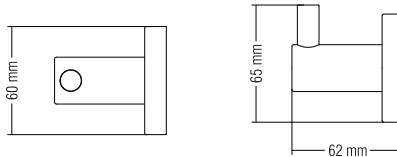
Surface : Chrome
Qty / Box : 10

[AYH65 - Ring Towel Bar](#)



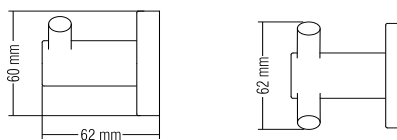
Surface : Chrome
Qty / Box : 10

[ATA65 - Robe Hook](#)



Surface : Chrome
Qty / Box : 10

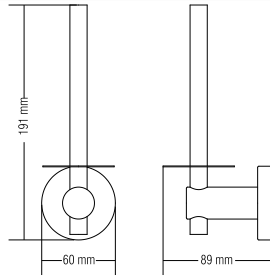
[ACA65 - Double Hook](#)



Surface : Chrome
Qty / Box : 10

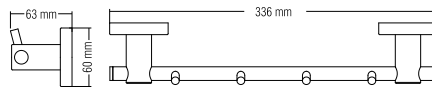
BATHROOM ACCESSORIES PRODUCTS

ATROS



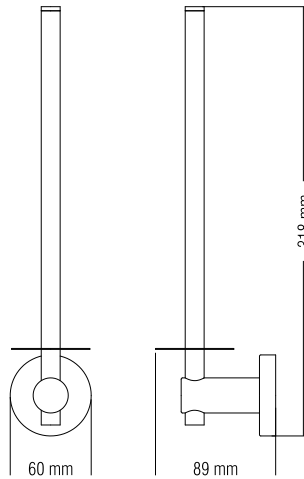
[AYB65 - Spare Roll Holder](#)

Surface : Chrome
Qty / Box : 10



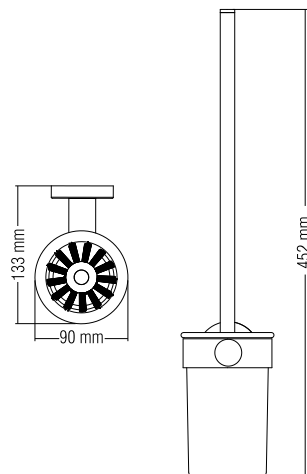
[ASA65 - Hook Set](#)

Surface : Chrome
Qty / Box : 10



[AKH65 - Towel Holder](#)

Surface : Chrome
Qty / Box : 10



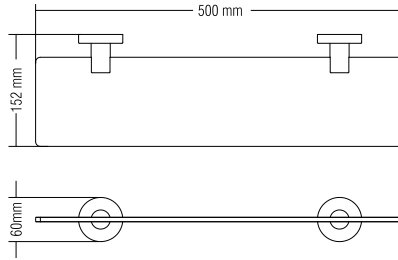
[AKF65 - Toilet Brush Holder](#)

Surface : Chrome
Qty / Box : 10

* Special coated products are gold, antique and antique copper looking

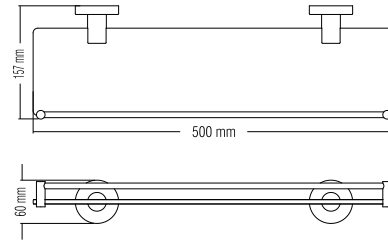
BATHROOM ACCESSORIES PRODUCTS

ATROS



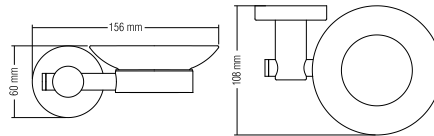
[AET65-S - Shelf](#)

Surface : Black
Qty / Box : 10



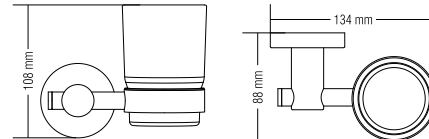
[AET65_1-S - Shelf](#)

Surface : Black
Qty / Box : 10



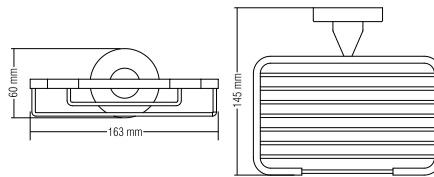
[ASB65-S - Soap Dish](#)

Surface : Black
Qty / Box : 10



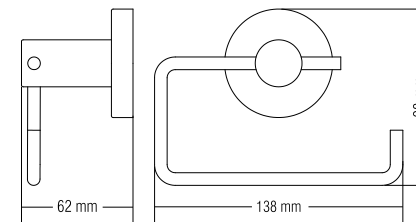
[ADF65-S - Tumbler Holder](#)

Surface : Black
Qty / Box : 10



[ARS65-S - Wall Mounted Sponge Holder](#)

Surface : Black
Qty / Box : 10



[AKT65-S - Toilet Paper Holder](#)

Surface : Black
Qty / Box : 10

* Special coated products are gold, antique and antique copper looking

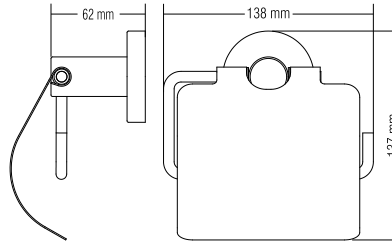
* Minimum quantities for options in the palette colors are determined by our sales team.

* Gül Pres Döküm San. A.Ş. reserves the right to make changes in products and technical details.

BATHROOM ACCESSORIES PRODUCTS

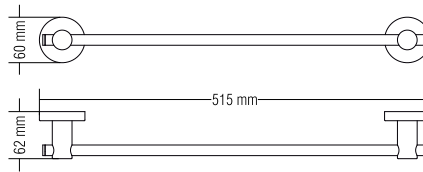
ATROS

[AKK65-S - Toilet Paper Holder With Cover](#)



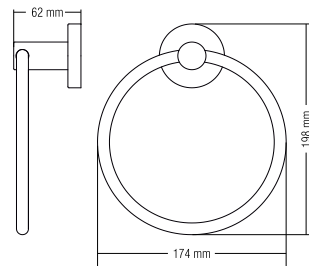
Surface : Black
Qty / Box : 10

[AUH65-S - Long Towel Holder](#)



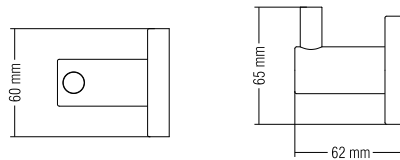
Surface : Black
Qty / Box : 10

[AYH65-S - Ring Towel Bar](#)



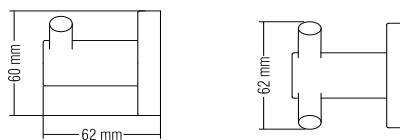
Surface : Black
Qty / Box : 10

[ATA65-S - Robe Hook](#)



Surface : Black
Qty / Box : 10

[ACA65-S - Double Hook](#)

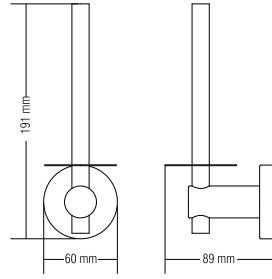


Surface : Black
Qty / Box : 10

* Special coated products are gold, antique and antique copper looking

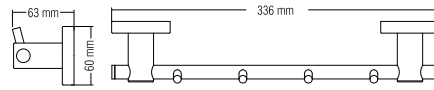
BATHROOM ACCESSORIES PRODUCTS

ATROS



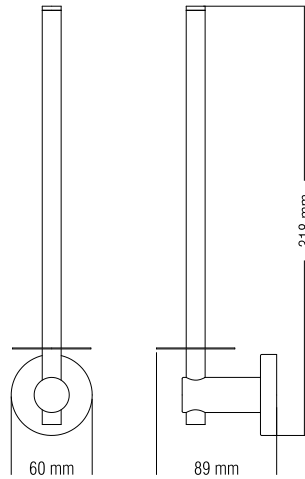
[AYB65-S - Spare Roll Holder](#)

Surface : Black
Qty / Box : 10



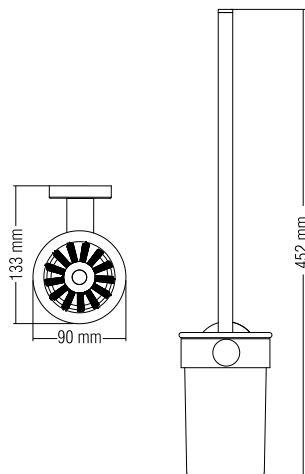
[ASA65-S - Hook Set](#)

Surface : Black
Qty / Box : 10



[AKH65-S - Towel Holder](#)

Surface : Black
Qty / Box : 10



[AKF65-S - Toilet Brush Holder](#)

Surface : Black
Qty / Box : 10

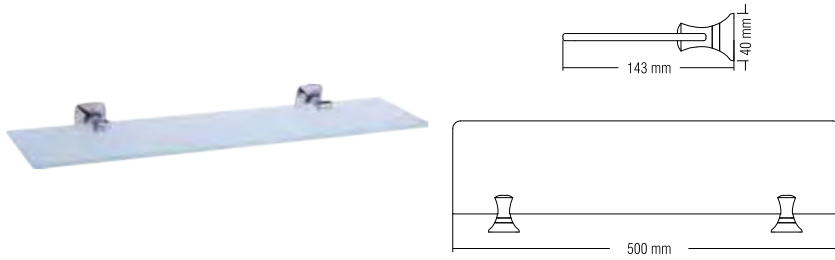
* Special coated products are gold, antique and antique copper looking

* Minimum quantities for options in the palette colors are determined by our sales team.

* Gül Pres Döküm San. A.Ş. reserves the right to make changes in products and technical details.

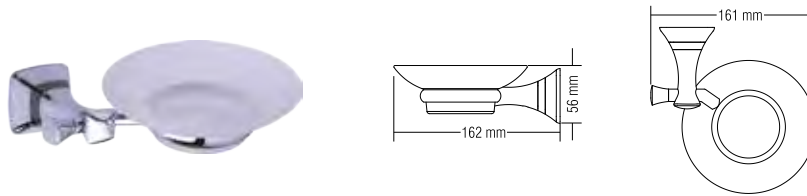
BATHROOM ACCESSORIES PRODUCTS

PRIMULA



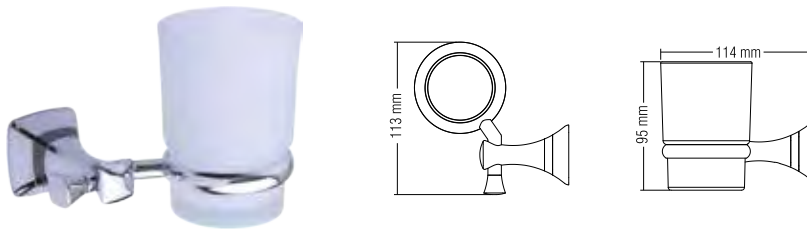
AET175 - Shelf

Surface : Chrome
Qty / Box : 10



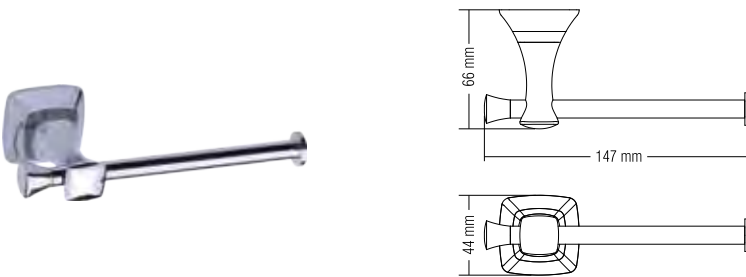
ASB175 - Soap Dish

Surface : Chrome
Qty / Box : 10



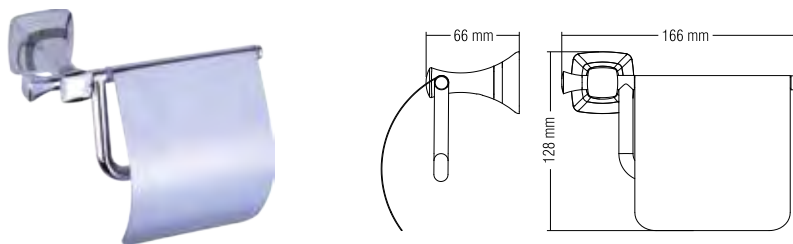
ADF175 - Tumbler Holder

Surface : Chrome
Qty / Box : 10



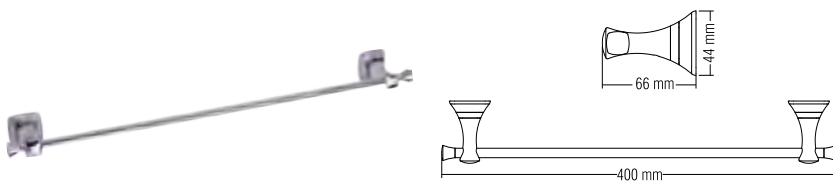
AKT175 - Toilet Paper Holder

Surface : Chrome
Qty / Box : 10



AKK175 - Toilet Paper Holder With Cover

Surface : Chrome
Qty / Box : 10



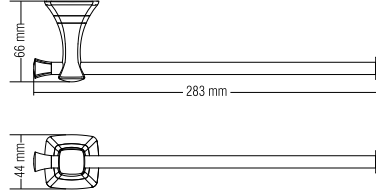
AUH175 - Long Towel Holder

Surface : Chrome
Qty / Box : 10

BATHROOM ACCESSORIES PRODUCTS

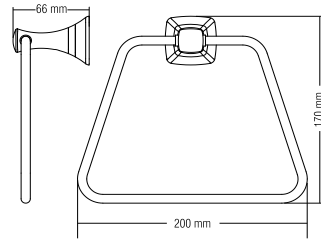
PRIMULA

[AKH175 - Short Towel Holder](#)



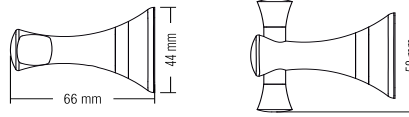
Surface : Chrome
Qty / Box : 10

[AYH175 - Ring Towel Bar](#)



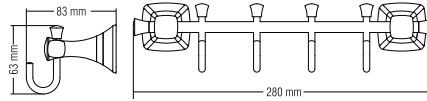
Surface : Chrome
Qty / Box : 10

[ACA175 - Double Hook](#)



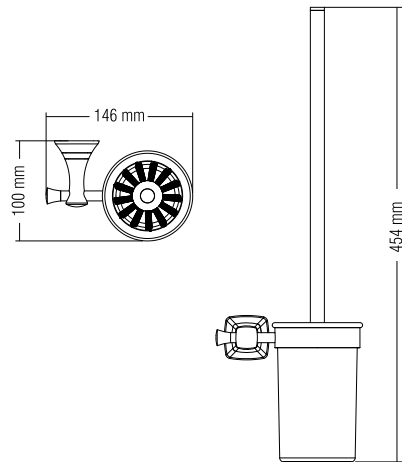
Surface : Chrome
Qty / Box : 10

[ASA175 - Hook Set](#)



Surface : Chrome
Qty / Box : 10

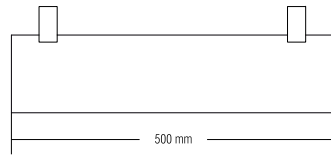
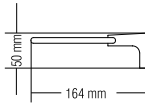
[AKF175 Toilet Brush Holder](#)



Surface : Chrome
Qty / Box : 10

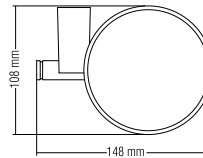
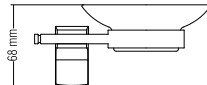
BATHROOM ACCESSORIES PRODUCTS

FLORUS



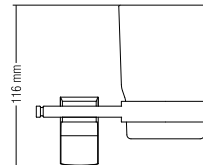
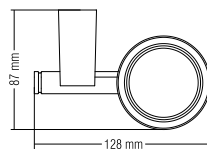
AET170 - Shelf

Surface : Chrome
Qty / Box : 10



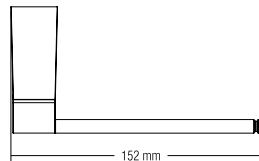
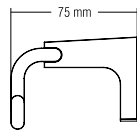
ASB170 - Soap Dish

Surface : Chrome
Qty / Box : 10



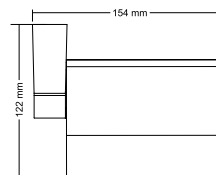
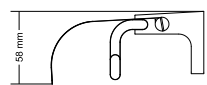
ADF170 - Tumbler Holder

Surface : Chrome
Qty / Box : 10



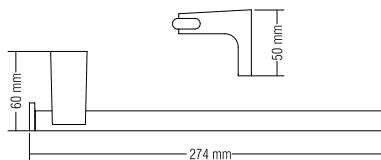
AKT170 - Toilet Paper Holder

Surface : Chrome
Qty / Box : 10



AKK170 - Toilet Paper Holder With Cover

Surface : Chrome
Qty / Box : 10



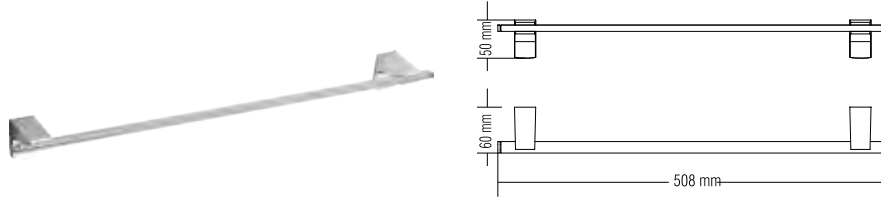
AKH170 - Short Towel Holder

Surface : Chrome
Qty / Box : 10

BATHROOM ACCESSORIES PRODUCTS

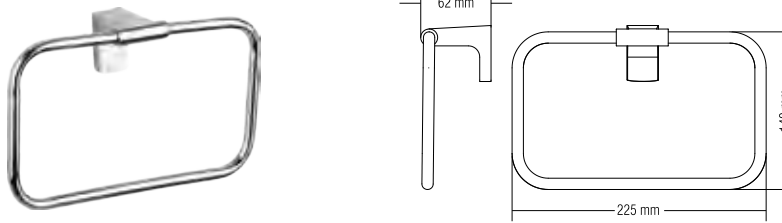
FLORUS

[AUH170 - Long Towel Holder](#)



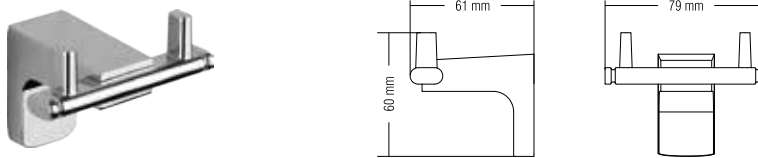
Surface : Chrome
Qty / Box : 10

[AYH170 - Ring Towel Bar](#)



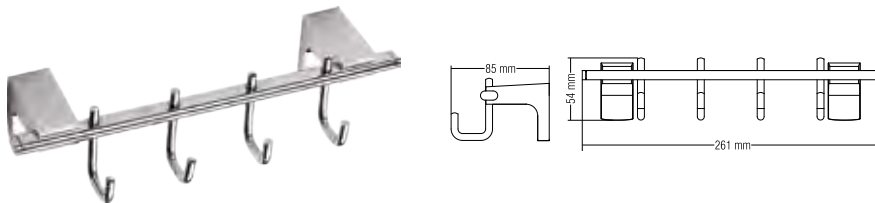
Surface : Chrome
Qty / Box : 10

[ACA170 - Double Hook](#)



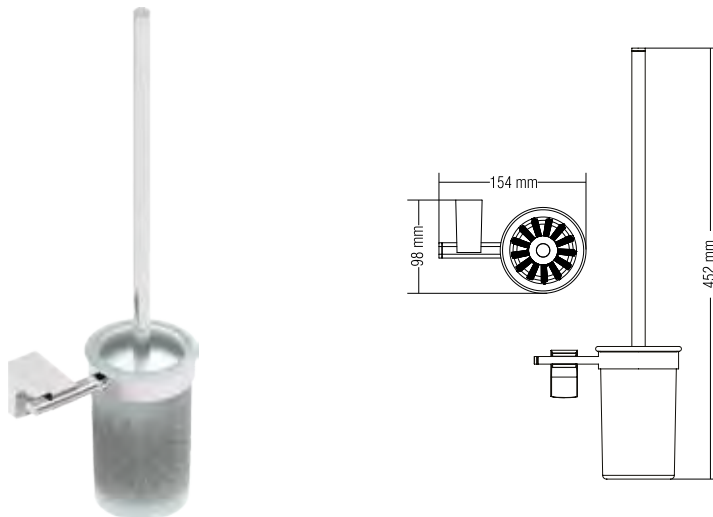
Surface : Chrome
Qty / Box : 10

[ASA170 - Hook Set](#)



Surface : Chrome
Qty / Box : 10

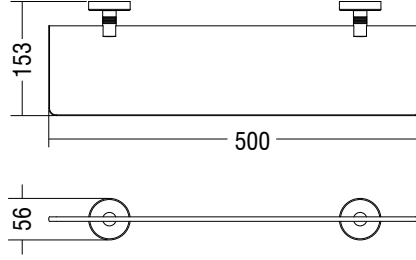
[AKF170 Toilet Brush Holder](#)



Surface : Chrome
Qty / Box : 10

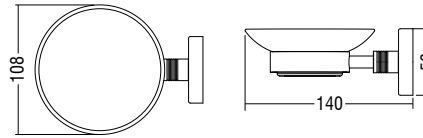
BATHROOM ACCESSORIES PRODUCTS

ORBIS



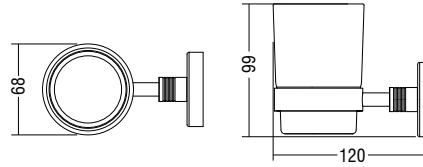
[AET30 - Shelf](#)

Surface : Chrome
Qty / Box : 10



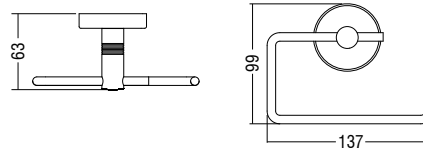
[ASB30 - Soap Dish](#)

Surface : Chrome
Qty / Box : 10



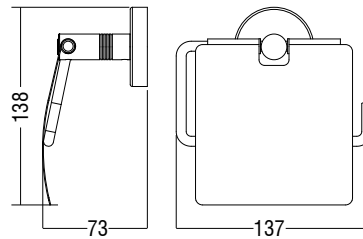
[ADF30 - Tumbler Holder](#)

Surface : Chrome
Qty / Box : 10



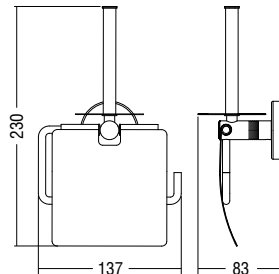
[AKT30 - Toilet Paper Holder](#)

Surface : Chrome
Qty / Box : 10



[AKK30 - Toilet Paper Holder With Cover](#)

Surface : Chrome
Qty / Box : 10

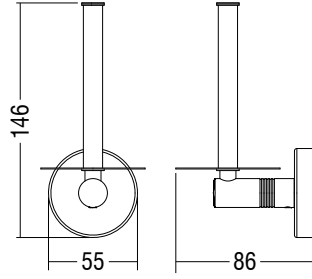


[ABK30 - Toilet Paper Holder With Spare Roll](#)

Surface : Chrome
Qty / Box : 10

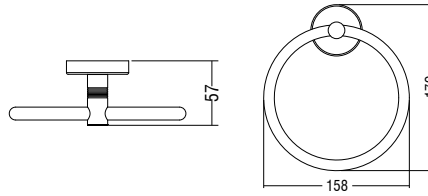
BATHROOM ACCESSORIES PRODUCTS

ORBIS



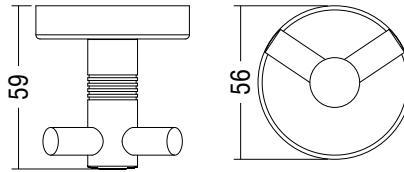
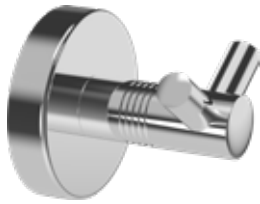
[AYD30 - Spare Roll Holder](#)

Surface : Chrome
Qty / Box : 10



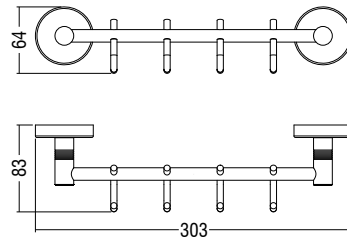
[AYH30 - Ring Towel Bar](#)

Surface : Chrome
Qty / Box : 10



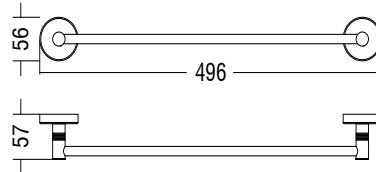
[ACA30 - Double Hook](#)

Surface : Chrome
Qty / Box : 10



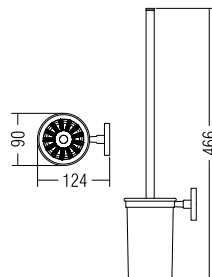
[ASA30 - Hook Set](#)

Surface : Chrome
Qty / Box : 10



[AUH30 - Long Towel Holder](#)

Surface : Chrome
Qty / Box : 10



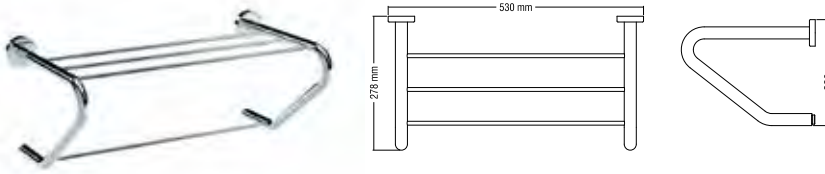
[AKF30 Toilet Brush Holder](#)

Surface : Chrome
Qty / Box : 10

BATHROOM ACCESSORIES PRODUCTS

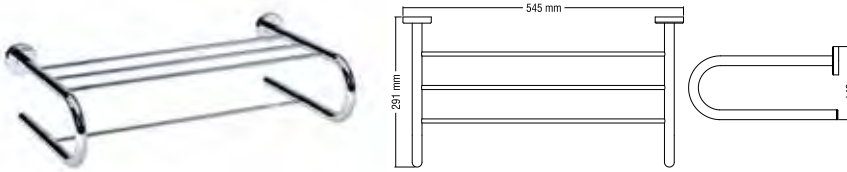
SINGLE PARTS FOR HOTELS

OTL01 - Backed Shelf Towel Holder Ø19



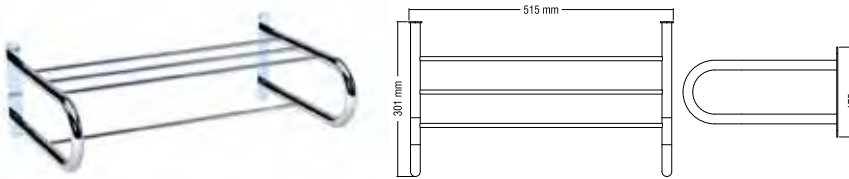
Surface : Stainless Steel
Qty / Box : 6

OTL02 - Shelf Towel Holder Ø19



Surface : Stainless Steel
Qty / Box : 10

OTL03 - Shelf Towel Holder Ø19



Surface : Stainless Steel
Qty / Box : 10

OTL04 - Bathtub Handle with Sponge Holder Ø19



Surface : Stainless Steel
Qty / Box : 10

OTL05 - Angled Bathtub Handle Ø19



Surface : Stainless Steel
Qty / Box : 10

OTL06 - Bathtub Handle (Ø19-20cm)



Surface : Stainless Steel
Qty / Box : 20

OTL07 - Bathtub Handle (Ø19-30cm)



Surface : Stainless Steel
Qty / Box : 20

OTL08 - Bathtub Handle (Ø19-40cm)



Surface : Stainless Steel
Qty / Box : 20

OTL09 - Bathtub Handle (Ø19-50cm)



Surface : Stainless Steel
Qty / Box : 20

BATHROOM ACCESSORIES PRODUCTS

SINGLE PARTS FOR HOTELS

OTL10 - Bathtub Handle (Ø19-60cm)



Surface : Stainless Steel
Qty / Box : 20

OTL11 - Double Towel Holder Ø19



Surface : Stainless Steel
Qty / Box : 20

OTL12 - Makeup Mirror



Surface : Chrome
Qty / Box : 20

OTL13 - Footed Toilet Seat U Type



Surface : Chrome
Qty / Box : 4

OTL14 - Oval Single Sponge Holder 19x19



Surface : Chrome
Qty / Box : 10

OTL15 - Oval Double Sponge Holder 19x19



Surface : Chrome
Qty / Box : 10

OTL16 - Oval Triple Sponge Holder 19x19



Surface : Chrome
Qty / Box : 10

OTL17 - Corner Single Sponge Holder 18x18



Surface : Chrome
Qty / Box : 10

OTL18 - Corner Double Sponge Holder 18x18



Surface : Chrome
Qty / Box : 10


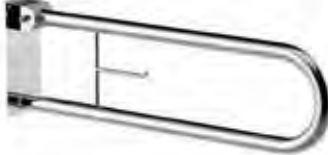










OTL19 - Corner Triple Sponge Holder 18x18



Surface : Chrome
Qty / Box : 10

BATHROOM ACCESSORIES PRODUCTS

SINGLE PARTS FOR DISABLED PEOPLE

<p><u>ENG01 - Articulated Handle Bar</u></p>  <p>Surface : Stainless Steel Qty / Box : 10</p>	<p><u>ENG02 - Articulated Joint Bar with Paper Holder</u></p>  <p>Surface : Stainless Steel Qty / Box : 10</p>	<p><u>ENG03 - Floor to Wall Holding Bar</u></p>  <p>Surface : Stainless Steel Qty / Box : 10</p>
<p><u>ENG04 - Floor to Wall Swivel Foot</u></p>  <p>Surface : Stainless Steel Qty / Box : 10</p>	<p><u>ENG05 - L Type Holding Bar</u></p>  <p>Surface : Stainless Steel Qty / Box : 10</p>	<p><u>ENG06 - Corner Grip Bar</u></p>  <p>Surface : Stainless Steel Qty / Box : 10</p>
<p><u>ENG07 - Plastic Disabled Shower Seat</u></p>  <p>Surface : Stainless Steel Qty / Box : 10</p>	<p><u>ENG08 - Holding Bar 30cm</u></p>  <p>Surface : Stainless Steel Qty / Box : 10</p>	<p><u>ENG09 - Holding Bar 40cm</u></p>  <p>Surface : Stainless Steel Qty / Box : 10</p>
<p><u>ENG10 - Holding Bar 50cm</u></p>  <p>Surface : Stainless Steel Qty / Box : 10</p>	<p><u>ENG11 - Holding Bar 60cm</u></p>  <p>Surface : Stainless Steel Qty / Box : 10</p>	<p><u>ENG12 - Disabled Mirror</u></p>  <p>Surface : Stainless Steel Qty / Box : 10</p>

NINO SERIES



SLB05

Over Table Wash Basin Armature

TERMS OF WARRANTY

- Warranty period starts from the delivery date and it is as mentioned below
- The product is under the scope of our company's guarantee inclusive of all parts of the product.
- When the product breaks down during the warranty period, the time spent for the repairing of the product is added to the warranty period.
- The repairing of the product is 20 days maximum. This period starts when the malfunction of the product is informed to the service station, in case there is not any service station available, then it starts from the notification date to either one of the selling agent, dealer, agency, representative, importer or to the manufacturer - producer of the product. The consumer can make breakdown reporting; by telephone, fax, e-mail, registered and reply paid letter or quai ways. In case of any dispute, obligation of prof belongs to the consumer.
- In case the malfunction of the product could not be repaired within 10 days, then the manufacturer-producer or the importer of the product is obliged to provide another product with similar features to the consumer until the faulty product is repaired.
- When the product breaks down due to material and labour or due to assembly faults within the guarantee period, the product will be repaired without applying any charge for labour costs, costs of the part changed or for any reason.
- Although the consumer uses repair rights, if the product break down twice in one year due to the same fault or different malfunction takes place more than four times within a year, with the condition that these take place within the guarantee period from the date product is delivered to the consumer or total of different break downs exceeds six times within the guarantee period and provided that the non use of product becomes continuous and the maximum time limit for repairs is exceeded, then the following can be requested; consumer can request for exchange of the product free of charge, request for refund of the amount, reduction in the amount in relation to the failure when it is determined that the malfunction can not be repaired with a report that is prepared by the service station related to the product, in case there is not any service station available, by either one of the selling agent, dealer, agency, representative, importer or to the manufacturer - producer of the product.
- Malfunctions taking place due to the use that is other than the ones stated in the operating manual of the product will not be covered under the scope of warranty. When there is any conflict either regards to the guarantee certificate, application can be made to the Protection of the Consumer and Competition General Directory.

WARRANTY PERIOD

- Faucet and manually operated (with Cartridge / Gasket): 12 (Twelve) Years
- Photocell Water and Soap Wash Basin Armature (FLB09, FLB09-2): 2 (Two) Years
- Electronically operated (Photocell) armatures: Body and Chrome casing: 12 (Twelve) Years, Functional pieces: 2 (Two) Years
- Thermostat operated (Thermostatic) armatures: 5 (Five) Years, Functional pieces: 2 (Two) Years
- Valves: 5 (Five) Years
- Shower Panels: DSP06 and DSP07 Functional pieces 2 (Two) Years; DSP08, DSP09 and DSP10 Functional pieces 5 (Five) Years
- Shower Systems: 5 (Five) Years
- PVD Gold, PVD Rose Gold, Black, Granite and Copper Plated products: 2 (Two) Years
- Bathroom Accessories products: 2 (Two) Years
- Plastic Products: 5 (Five) Years

CONDITIONS OUTSIDE OF THE SCOPE OF THE WARRANTY

- Faults occurred due to wrong installation and usage contrary to the user's manual.
- Faults taking place due to wrong installation available or due to faulty mounting of the product by the consumer other than authorised service
- Possible problems occurring on the installations that do not have pressure regulation (installations, where water pressure regulation or water pressurisation units are used) (Ideal operation pressure between 3-4 bar)
- Possible problems occurring due to sand, sludge, canvas, construction residues because of the non of intermediate tap with filter and filter.
- Possible problems occurring due to dropping or being impacted during handling, loading, unloading and mounting
- Possible problems occurring on the surface of the products that wait for long times at the construction sites.
- Break downs occurring due to misuse or hard use.
- Problems related to scaling
- Deformations taking place due to use of acids or cleaning materials that contain avrasive substances
- Break downs occurring due to use of parts that are not original spare parts
- Parts, casings, cartridges that crack due to freezing
- Absence of approved warrenty certificate or invoice
- Misuse the products.

TSE CONFORMITY CERTIFICATES

TS EN 200 TAPS, DOUBLE CONTROL ARMATURES
TS EN 817 SINGLE CONTROL ARMATURES (MIX)
TS EN 1111 THERMOSTATIC ARMATURES

TS EN 1213 STOP/BLOW-OFF VALVES
TS 579 RADIATOR VALVE AND UNIONS
TS EN 1567 WATER PRESSURE REGULATOR
TS EN 12288 GATE VALVES

TS EN 15091 PHOTOCCELL ARMATURES
TS EN 1112 HAND SHOWER SET-SHOWER HEAD
TS EN 13547 INDUSTRIAL BALL VALVES



GPD

Bath & Kitchen
Armatures

GUL PRES DOKUM SAN A.S

FACTORY

Beylikdüzü OSB Mah.
Bakır ve Pirinç Sanayi Sitesi
Sardunya Cad.
No:7 P.K 34524
Beylikdüzü/İSTANBUL
Tel: (0212) 875 31 67 pbx
Fax: (0212) 875 05 69
info@gpd.com.tr

SALES OFFICE

Beylikdüzü OSB Mah.
Birlik Sanayi Sitesi 3. Cadde
Keleşoğlu Plaza
Kat:1 No: /37 P.K 34520
Beylikdüzü/İSTANBUL
Tel: (0212) 879 00 30 pbx
Fax: (0212) 879 00 35
satis@gpd.com.tr

www.gpd.com.tr

www.gpd.com.tr



GPD®

www.gpd.com.tr - export@gpd.com.tr

Phone: +90 212 879 00 30 (pbx) - Fax: +90212 879 0035

f facebook.com/gpdaimasizlerle @ instagram @gpdarmatur ▶ GPD Banyo ve Mutfak Armatürleri